

2.00mm SOCKET STRIP

.079" [2.00mm] CENTERLINE

SPECIFICATIONS

Material:

Insulator: PBT, glass reinforced thermoplastic, rated UL 94V-0
Contacts: Phosphor Bronze

Plating:

G - 5 µin gold over 50 µin nickel underplate
S - 5 µin gold on contact area and 100 µin tin-lead on solder-tails
T - 100 µin tin-lead over 50 µin copper underplate

Electrical:

Operation voltage: 250 VAC max
Current rating: 1 Amp max
Contact resistance: 15 mΩ max
Insulation resistance: 1000 MΩ min @ 500 VDC between adjacent contacts (75°F and 50% R.H.)
Dielectric withstanding voltage: 500 VDC min rms (sea level)

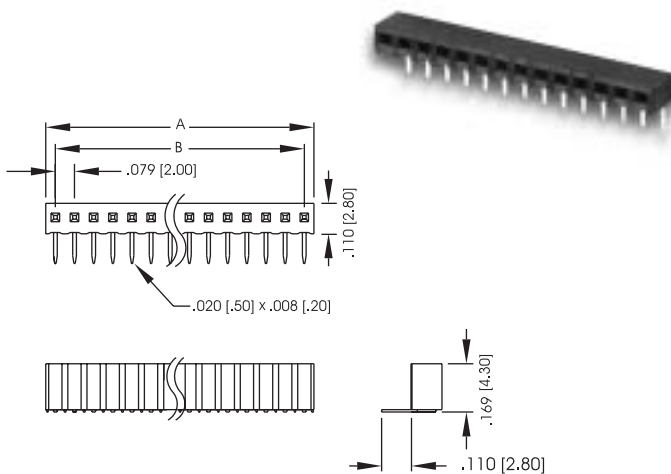


ORDERING INFORMATION

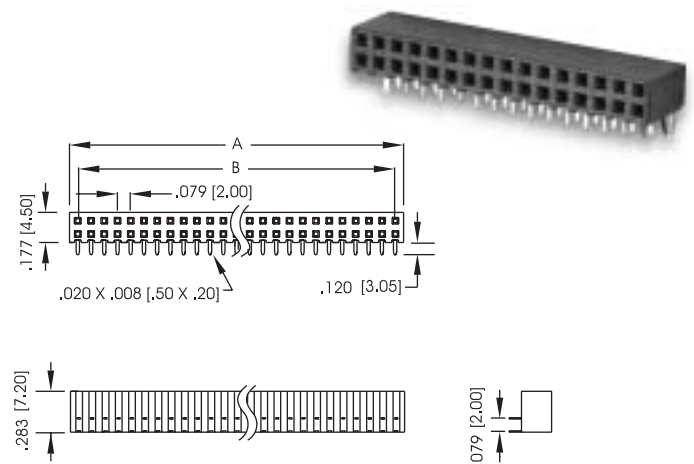
choose one from each category as shown in sample below

2S	A	20	S	
Series	Type	No. of Positions	Plating	Options
2S - 2.00mm Socket Strip	A - Single Row Vertical .177" Profile B - Dual Row Vertical .177" Profile C - Single Row Right Angle .110" Profile D - Dual Row Right Angle .177" Profile E - Dual Row Right Angle Box Strip .165" Profile F - Four Row Vertical .250" Profile	Single Row 02 - 40 Dual Row 04 - 80	G - Full Gold Plating S - Gold on Contact Area Tin-Lead on Solder Sails T - Tin Plated	P - Optional Guide Peg (Type A or B only) SMT - Surface Mount For Single Row Specify A or B Version A - Pin 1 Left (Single Row SMT only) B - Pin 1 Right (Single Row SMT only)

TYPE C



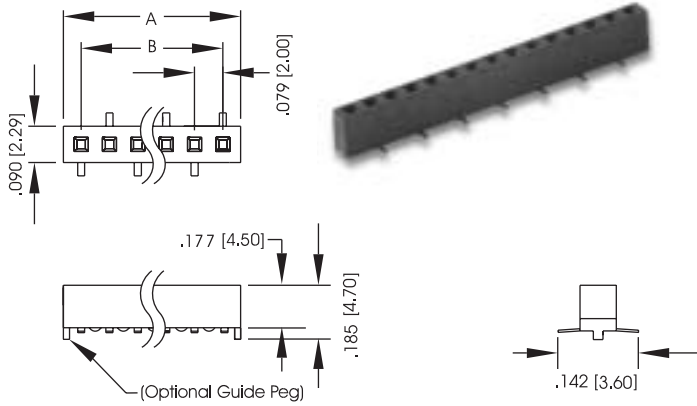
TYPE D



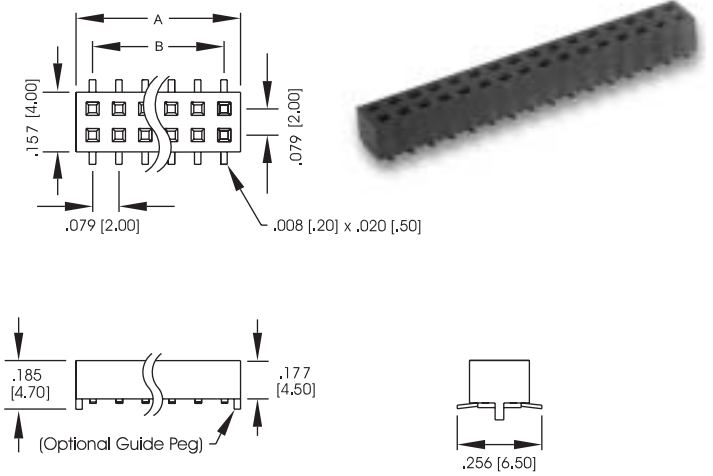
2.00mm SOCKET STRIP

.079" [2.00mm] CENTERLINE

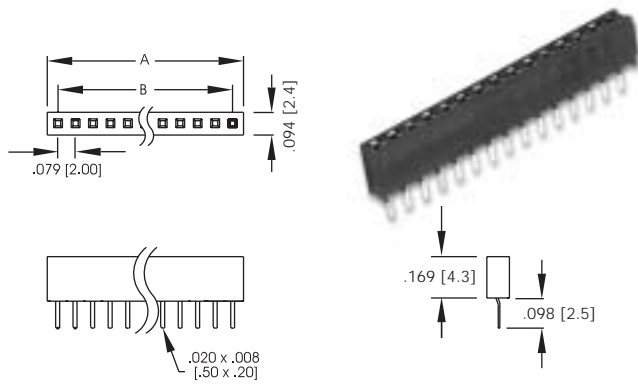
TYPE A WITH SMT OPTION



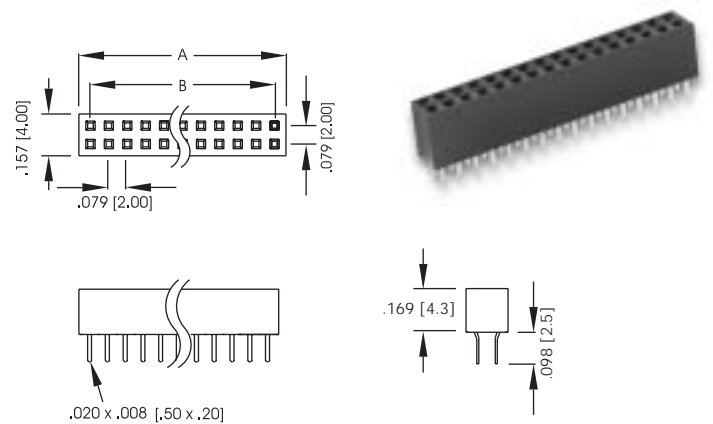
TYPE B WITH SMT OPTION



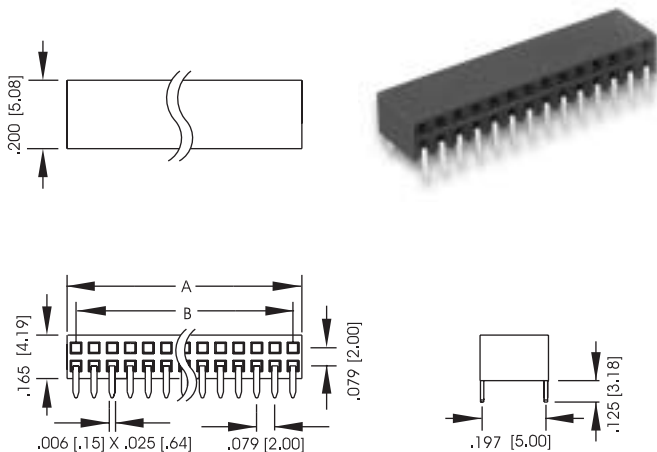
TYPE A



TYPE B



TYPE E



TYPE F

