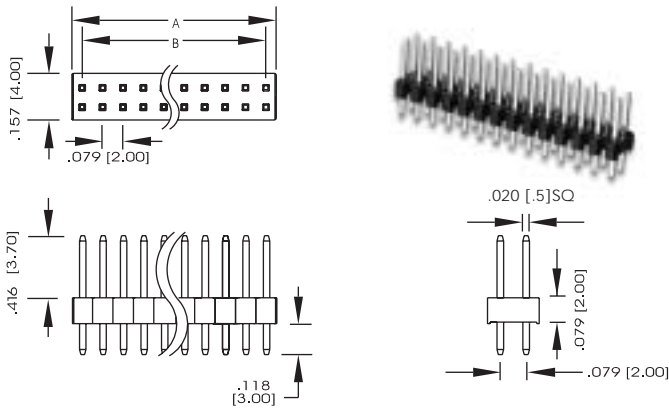


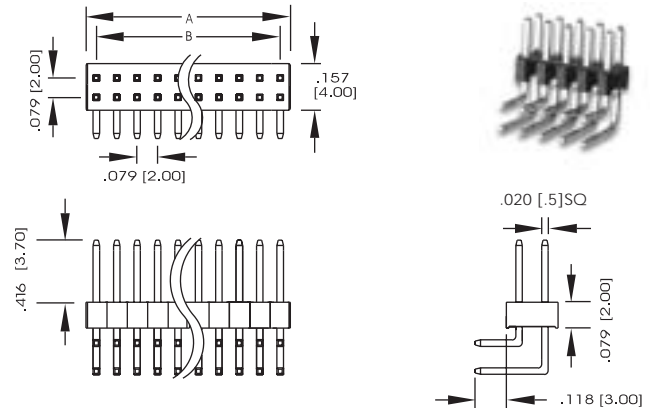
# 2.00mm PIN HEADER

.079" [2.00mm] UNSHROUDED / SHROUDED / MINI SHUNTS

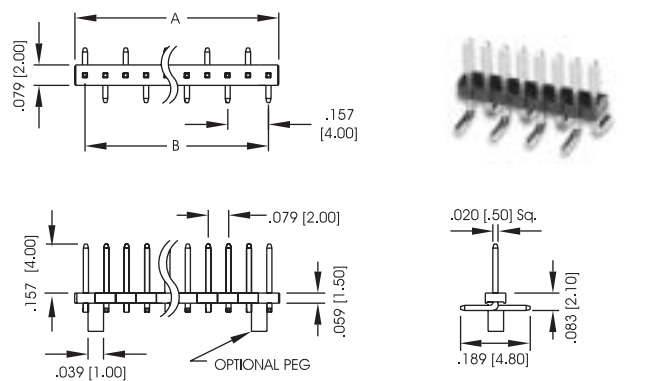
## PHJ-2 THROUGH HOLE



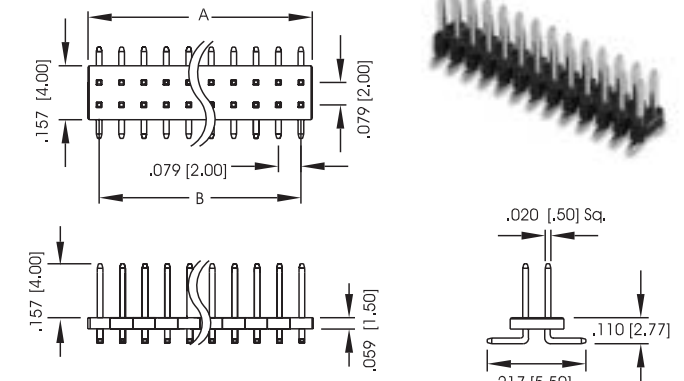
## PHL-2 THROUGH HOLE



## PHJ-1 SMT

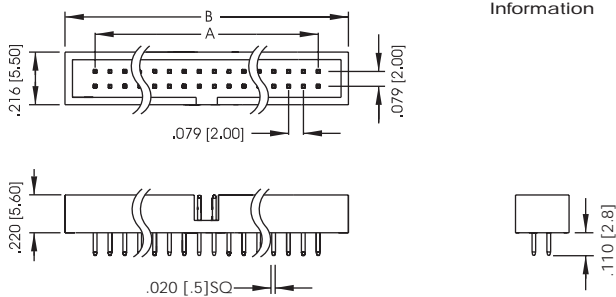


## PHJ-2 SMT



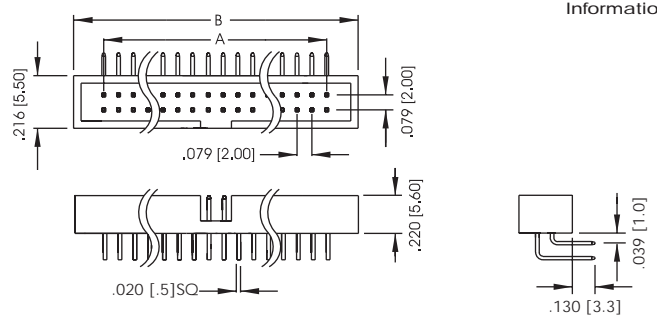
## PSS STRAIGHT

See Pg.87 For Order Information

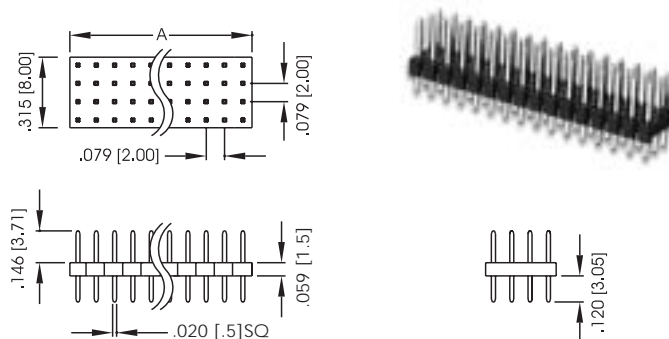


## PSR RIGHT ANGLE

See Pg.87 For Order Information



## PHJ-4 STRAIGHT



## MINI SHUNTS

2MS-1G (Gold)  
2MS-1T (Tin)

2MS-2G (Gold)  
2MS-2T (Tin)

