

# .050" HEADER / SOCKET SET

.050" [1.27] CENTERLINE

## SPECIFICATIONS

### Material:

**Insulator:** Nylon 6/6 T, glass reinforced thermoplastic, rated UL 94V-0  
**Contacts:** Phosphor Bronze

### Plating:

**G** - 5 µin gold over 50 µin nickel underplate  
**S** - 5 µin gold on contact area and 100 µin tin-lead on solder-tails  
**T** - 100 µin tin-lead over 50 µin copper underplate

### Electrical:

**Operation voltage:** 250 VAC max  
**Current rating:** 0.5 Amp max  
**Contact resistance:** 20 mΩ max  
**Insulation resistance:** 1000 MΩ min @ 500 VDC between adjacent contacts (75°F and 50% R.H.)  
**Dielectric withstanding voltage:** 500 VDC min rms (sea level)

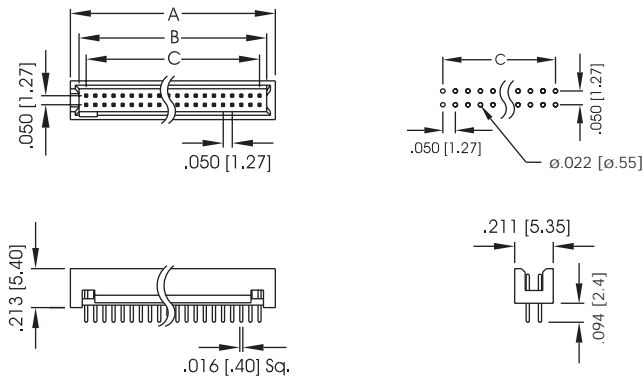


## ORDERING INFORMATION

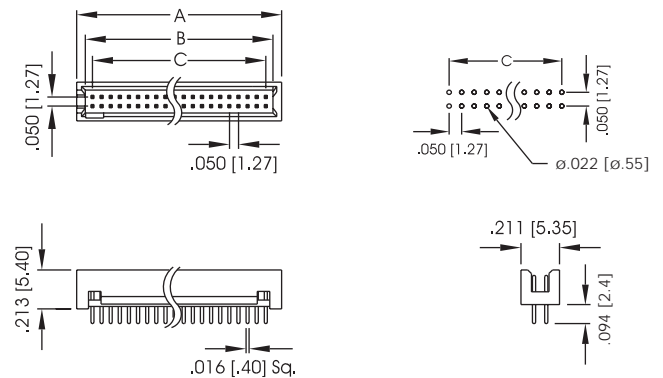
choose one from each category as shown in sample below

PHD	A	20	S	
Series	Type	Positions	Plating	Options
PHD - .050" Polarized Shrouded Header PHS - .050" Polarized Socket	A - Thru hole leads B - Surface mount leads	04-100	G - Full Gold Plating S - Gold on Contact Area Tin-Lead on Solder Sails T - Full Tin Plated	P - Polarizer Bump

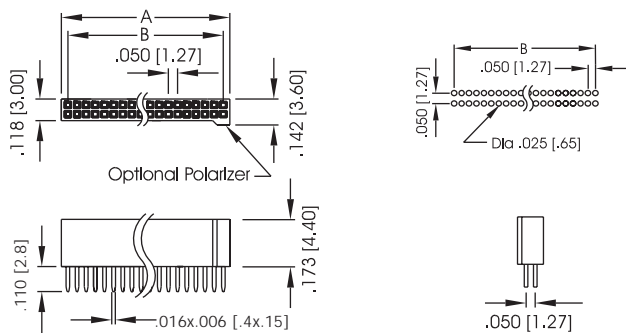
### PHD - THROUGH HOLE



### PHD - SMT



### PHS - THROUGH HOLE



### PHS - SMT

