

# .050" SOCKET STRIP

.050" [1.27] CENTERLINE- THROUGH HOLE & SMT



## SPECIFICATIONS

### Material:

**Insulator:** PBT, glass reinforced thermoplastic, rated UL 94V-0  
**Contacts:** Phosphor Bronze

### Plating:

**G** - 5 µin gold over 50 µin nickel underplate  
**S** - 5 µin gold on contact area and 100 µin tin-lead on solder-tails  
**T** - 100 µin tin-lead over 50 µin copper underplate

### Electrical:

**Operation voltage:** 250 VAC max  
**Current rating:** 1 Amp max  
**Contact resistance:** 15 mΩ max  
**Insulation resistance:** 1000 MΩ min @ 500 VDC between adjacent contacts (75°F and 50% R.H.)  
**Dielectric withstanding voltage:** 500 VDC min rms (sea level)

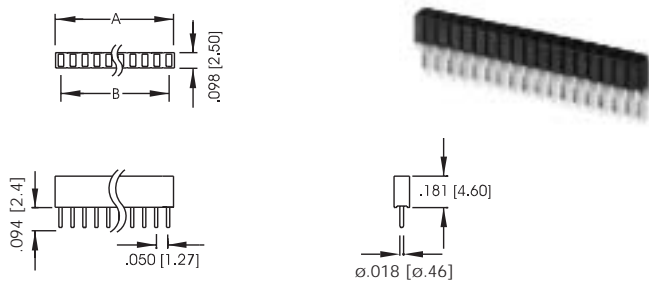


## ORDERING INFORMATION

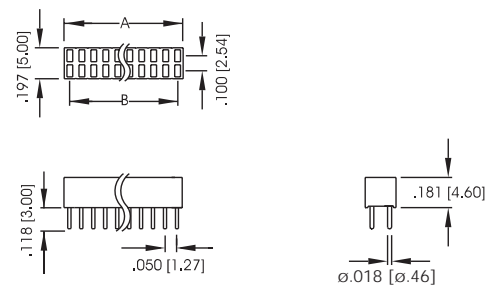
choose one from each category as shown in sample below

HMT	2	30	S	
Series	No. Rows	Total No. Positions	Plating	Options
HSA - .050" Low Profile Socket Strip	1 - Single Row	Single Row 02 - 32	G - Full gold plating	P - Guide Peg
HSB - .050" Standard Profile Socket Strip	2 - Dual Row	Dual Row 04 - 64	S - Gold on contact area tin lead on solder tails	H - Hi-Temp insulator
HMT - .050"x.050" Dual Row SMT Socket Strip			T - Full tin plating	Special Lengths and plating available to customer specifications
HMR - .050"x.100" Dual Row SMT Socket Strip				

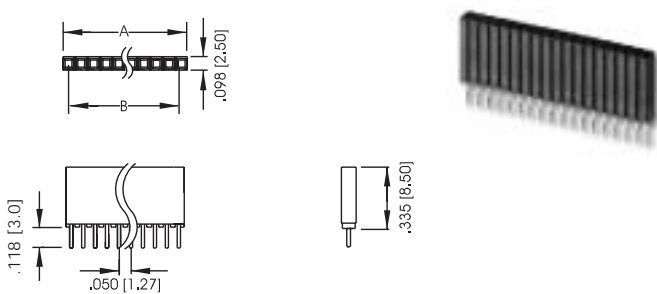
### HSA-1



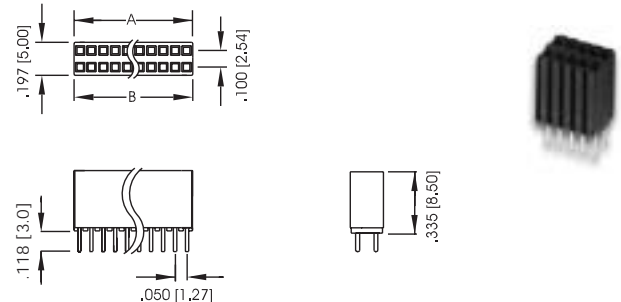
### HSA-2



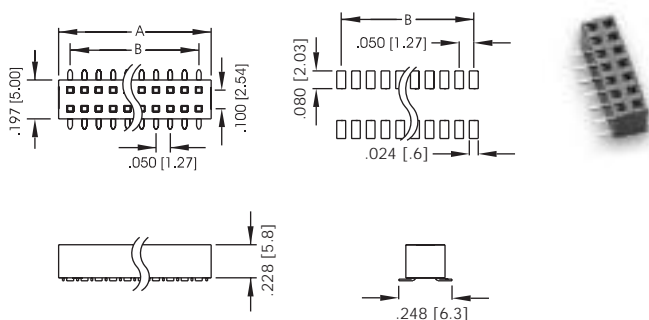
### HSB-1



### HSB-2



### HMR-2



### HMT-2

