

# .050" PIN HEADER

.050" X .050" & .050" X .100" [1.27] CENTERLINE

## SPECIFICATIONS

### Material:

**Insulator:** PBT, glass reinforced thermoplastic, rated UL 94V-0  
**Contacts:** Phosphor Bronze

### Plating:

**G** - 5 µin gold over 50 µin nickel underplate  
**S** - 5 µin gold on contact area and 100 µin tin-lead on solder-tails  
**T** - 100 µin tin-lead over 50 µin copper underplate

### Electrical:

**Operation voltage:** 250 VAC max  
**Current rating:** 1 Amp max  
**Contact resistance:** 15 mΩ max  
**Insulation resistance:** 1000 MΩ min @ 500 VDC between adjacent contacts (75°F and 50% R.H.)  
**Dielectric withstanding voltage:** 500 VDC min rms (sea level)



## ORDERING INFORMATION

choose one from each category as shown in sample below

BHS	20	G
Series	Positions	Plating
BHS - .050"x.100" Box Header Straight PCB Mount	16, 20, 26, 34, 40, 44, 50, 68	G - Full gold plating S - Gold on contact area tin-lead on solder tails
BHL - .050"x.100" Box Header Right Angle PCB Mount Specifications Pg. 84		T - Full tin plating

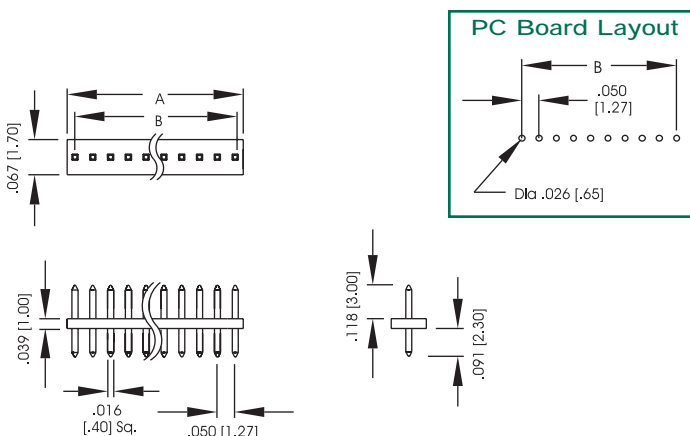


## ORDERING INFORMATION

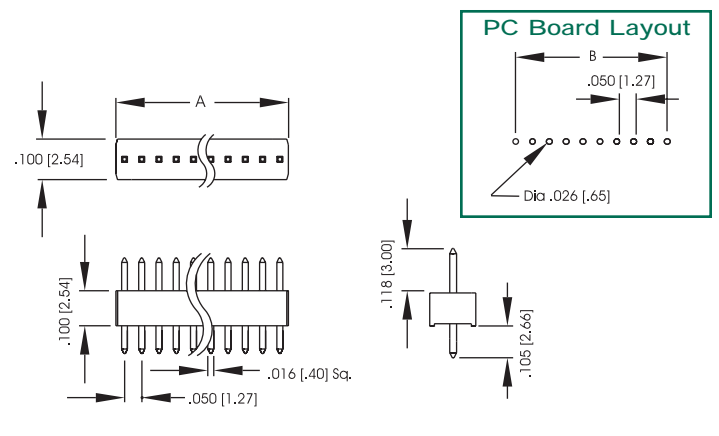
choose one from each category as shown in sample below

PHA	1	32	G	
Series	Rows	Total Positions	Plating	Options
PHA - .050"x.050" Pin Header with 1mm insulator PHB - .050"x.100" Pin Header with 100" insulator	1 - Single Row 2 - Dual Row	Single Row - 01 - 32 Dual Row - 04 - 100	G - Full gold plating S - Gold on contact area tin-lead on solder tails T - Full tin plating	H - Hi-Temp insulator SMT - Surface mount (for single row specify A or B version)  Special Lengths and plating available to customer specifications

### PHA - 1 THROUGH HOLE



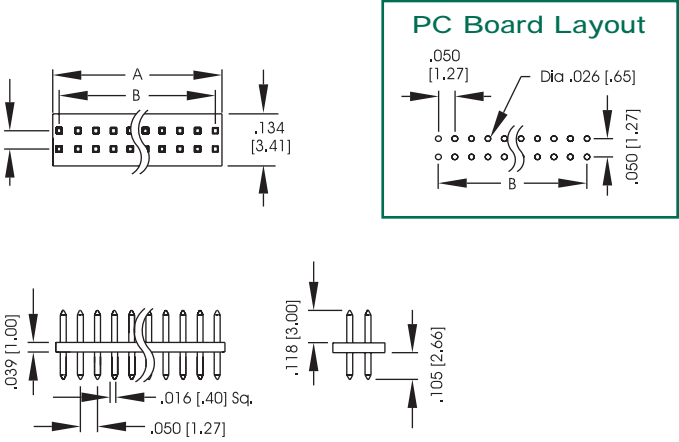
### PHB - 1 THROUGH HOLE



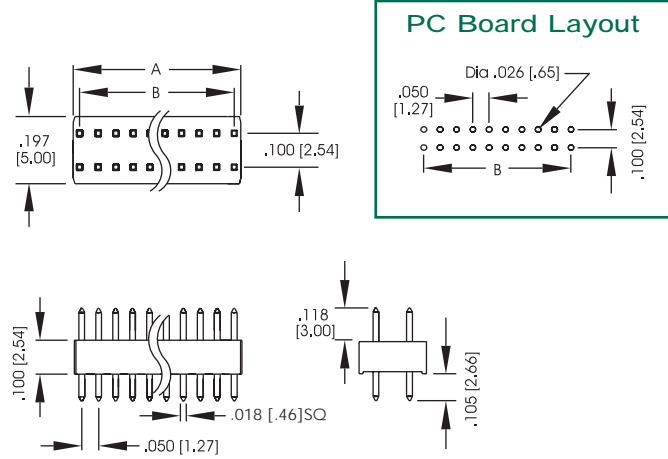
# .050" PIN HEADER

.050" X .050" & .050" X .100" [1.27] CENTERLINE

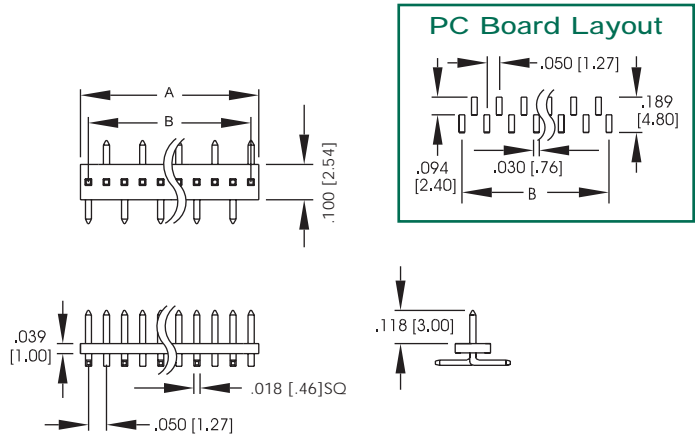
## PHA - 2 THROUGH HOLE



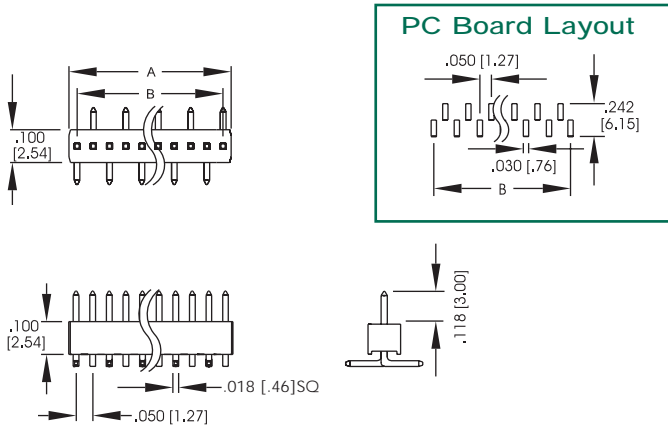
## PHB - 2 THROUGH HOLE



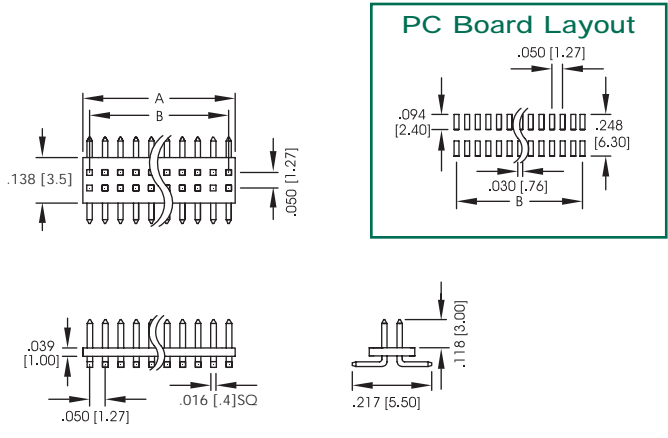
## PHA - 1 SMT



## PHB - 1 SMT



## PHA - 2 SMT



## PHB - 2 SMT

