

# 2.50mm & 3.50mm STEREO JACK

COMPACT PC BOARD MOUNT STEREO JACKS



## SPECIFICATIONS

### Material:

**Insulator:** PBT, glass reinforced thermoplastic, rated UL 94V-0  
**Contacts:** Phosphor Bronze

### Plating:

100 µin tin-lead over 50 µin copper underplate



### Electrical:

**Operation Voltage:** 250 VAC max  
**Current Rating:** 1 Amp max  
**Contact Resistance:** 20Ω max  
**Insulation Resistance:** 5000 MΩ min @ 1000 VAC between adjacent contacts (75°F and 50% R.H.)  
**Dielectric Withstanding Voltage:** 1000 VAC min rms (sea level)  
**Capacitance:** 1.5 pF max between adjacent contacts

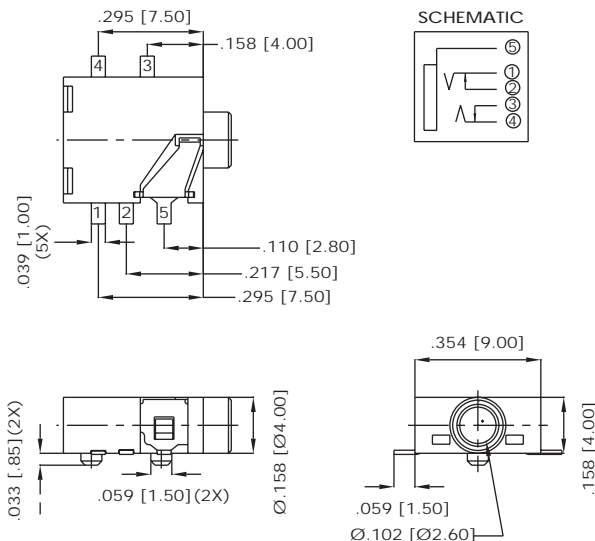


## ORDERING INFORMATION

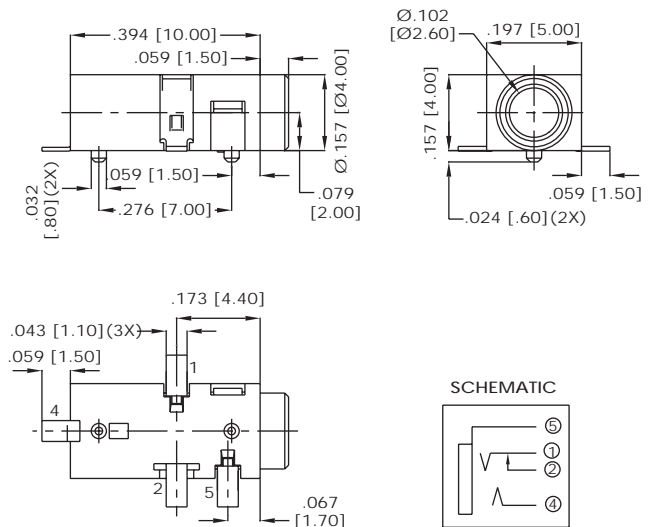
choose one from each category as shown in sample below

SJ	A	3	Options (add as suffix to part number)
Series	Jack Type	Contact Form & Switch Type	
SJ - Stereo Jack	A - H	2 - 5	P - Peg Option H - Hi Temp Insulator S - SMT Leads

### SJ TYPE A

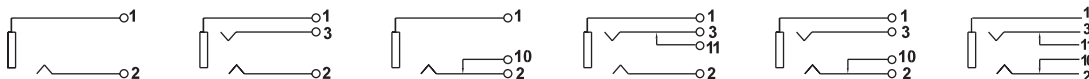


### SJ TYPE B



CONTACT FORM CONTACT FORM 2 CONTACT FORM 3 CONTACT FORM 3A CONTACT FORM 4A CONTACT FORM 4B CONTACT FORM 5

### SCHEMATIC

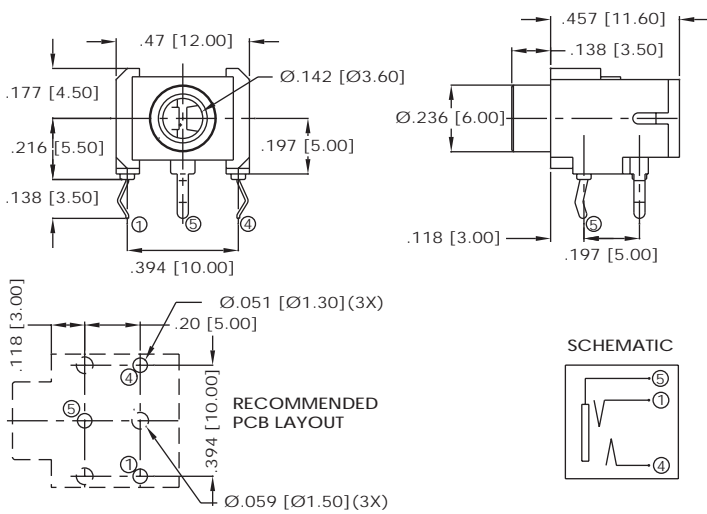


# 2.50mm & 3.50mm STEREO JACK

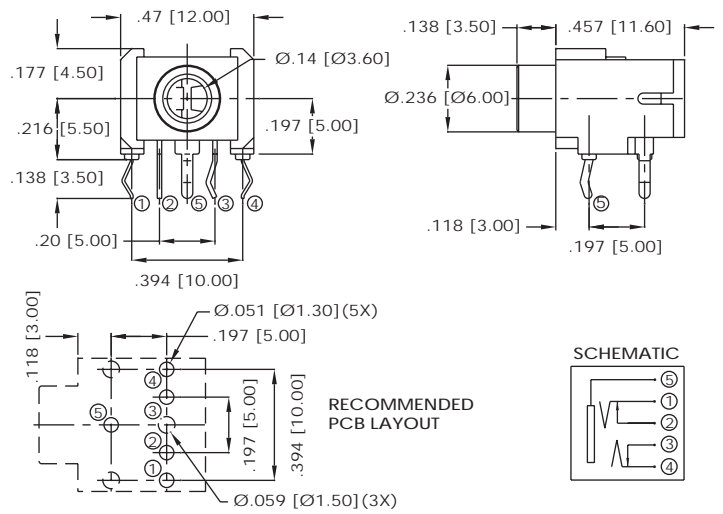
COMPACT PC BOARD MOUNT STEREO JACKS



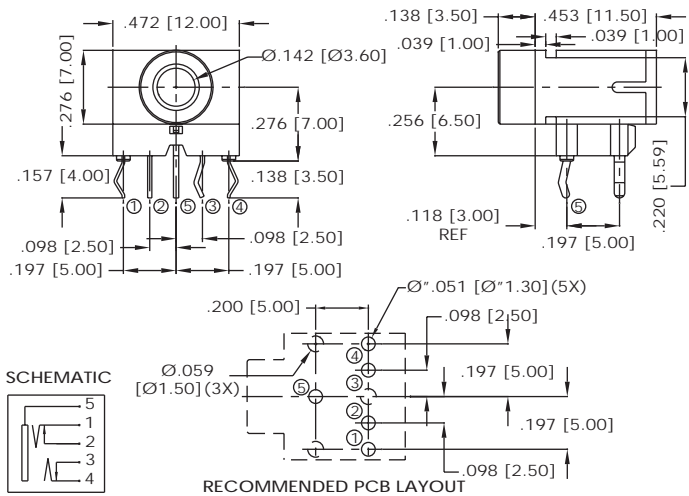
## SJ TYPE C



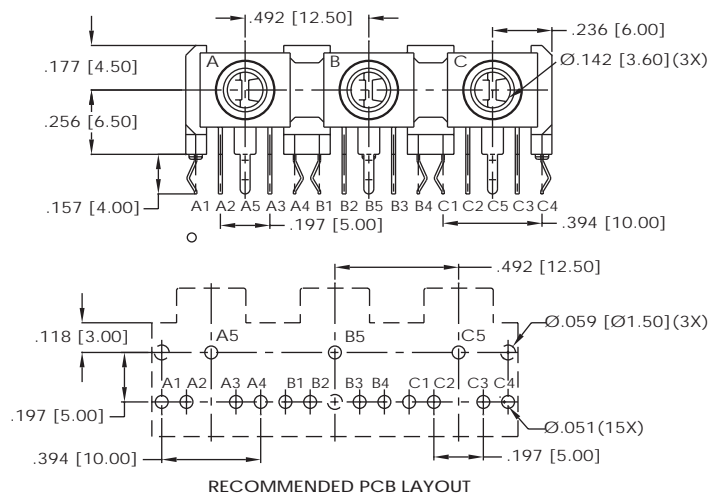
## SJ TYPE D



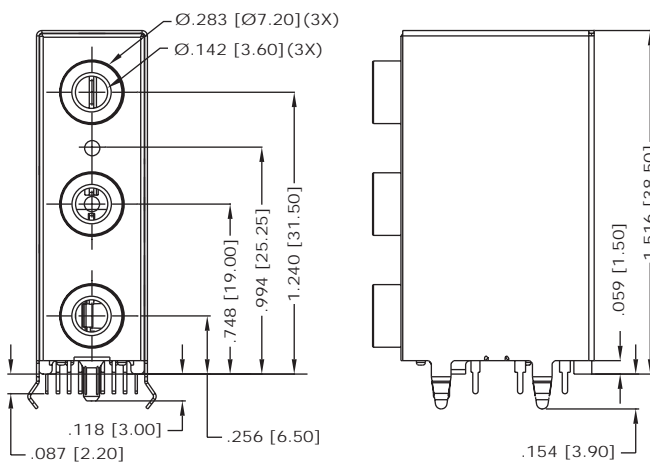
## SJ TYPE E



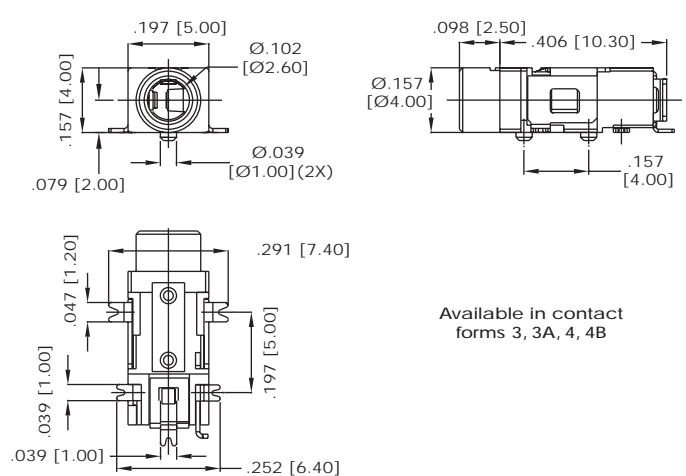
## SJ TYPE F



## SJ TYPE G



## SJ TYPE H



Available in contact forms 3, 3A, 4, 4B