

# DC POWER JACK

PC BOARD & PANEL MOUNT



## SPECIFICATIONS

### Material:

**Insulator:** PBT Glass Reinforced Thermoplastic rated UL 94V-0  
**Insulator color:** Black  
**Contacts:** Phosphor Bronze

### Plating:

**Center Pin:** 100 µin Nickel plate with 50 µin Copper underplate  
**Contacts:** 100 µin bright Silver plate

### Electrical:

**Operation voltage:** 250 VAC max  
**Current rating:** 1 Amp max  
**Contact resistance:** 20 mΩmin  
**Insulation resistance:** 5000 MΩmin @ 1000 VDC between adjacent contacts (75°F and 505 R.F.)  
**Dielectric withstanding voltage:** 1000 VAC min rms (sea level)  
**Capacitance:** 1.5 pF max between adjacent contacts



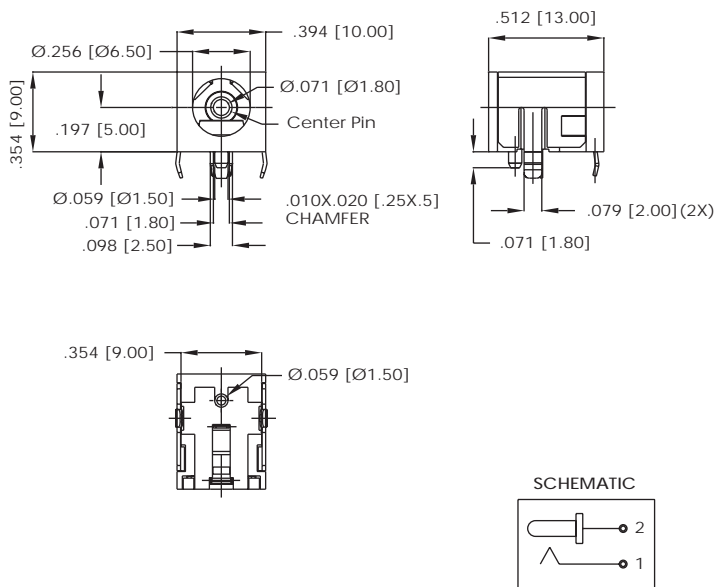
## ORDERING INFORMATION

choose one from each category as shown in sample below

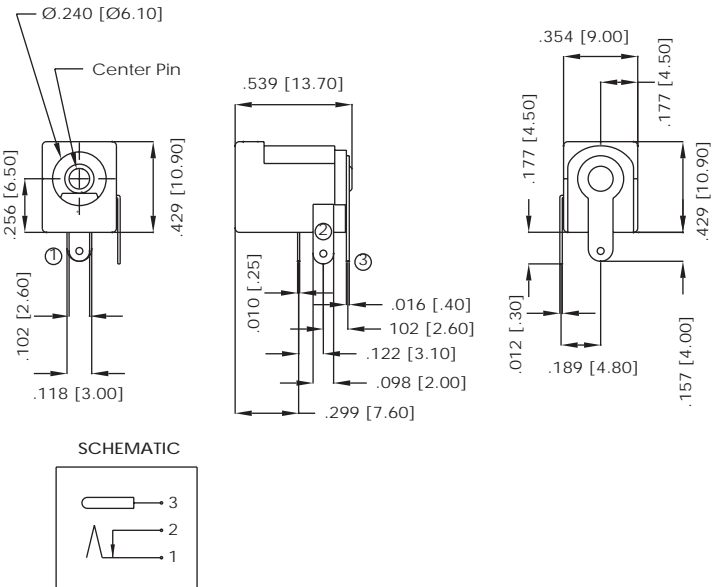
PJ	A	S	
Series	Jack Type	Center Pin Diameter	Options (add as suffix to part number)
PJ - DC Power Jack	A thru H	1 - 1.00mm 2 - 1.30mm 3 - 2.00mm 4 - 2.35mm 5 - 2.50mm	H - High Temp P - Alignment Peg(s)



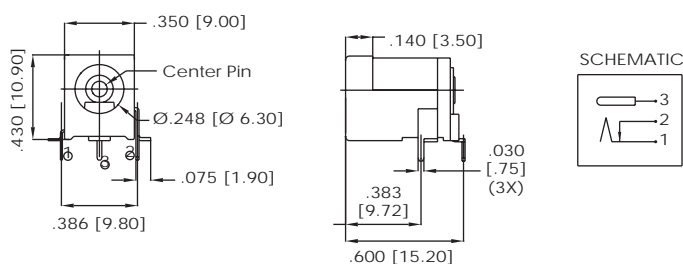
### TYPE A



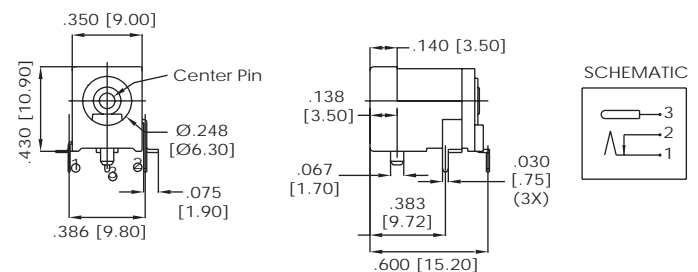
### TYPE B



### TYPE C



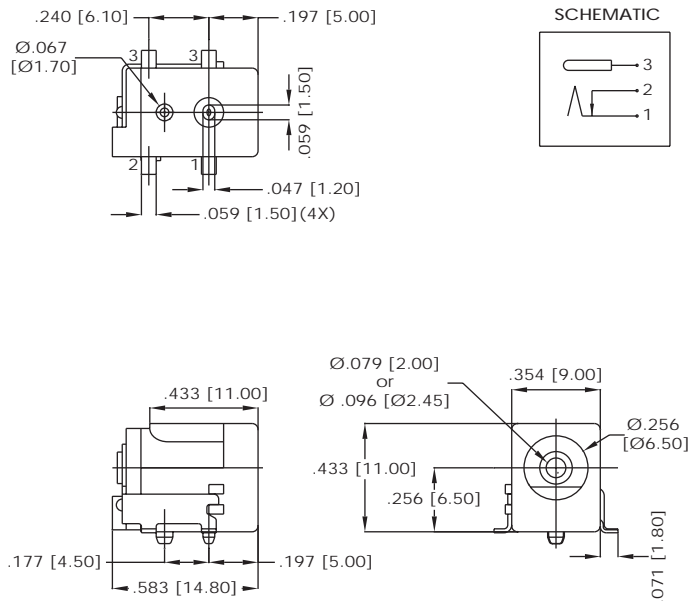
### TYPE D SMT JACK



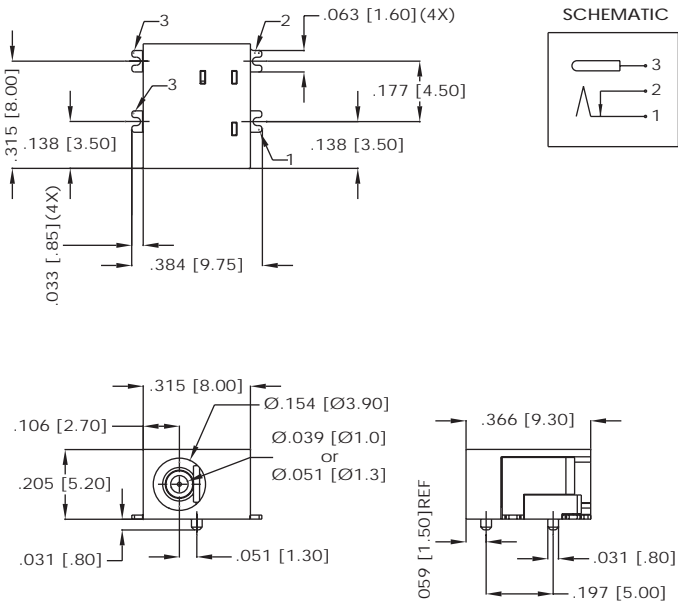
# DC POWER JACK

PC BOARD & PANEL MOUNT

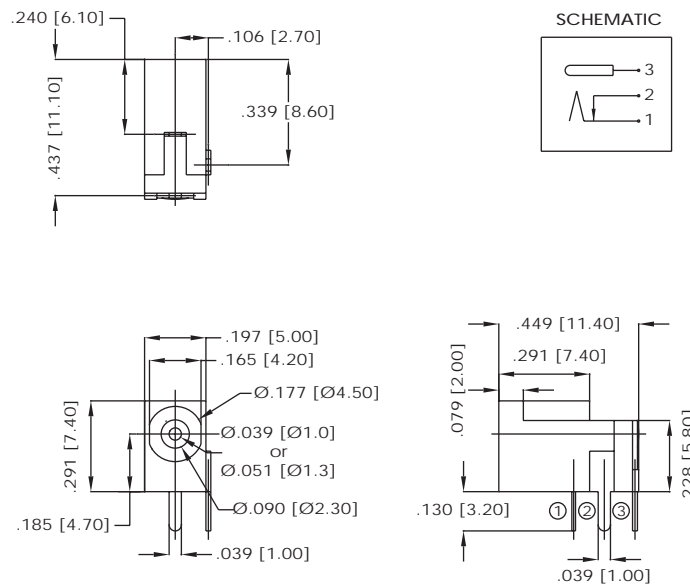
## TYPE E



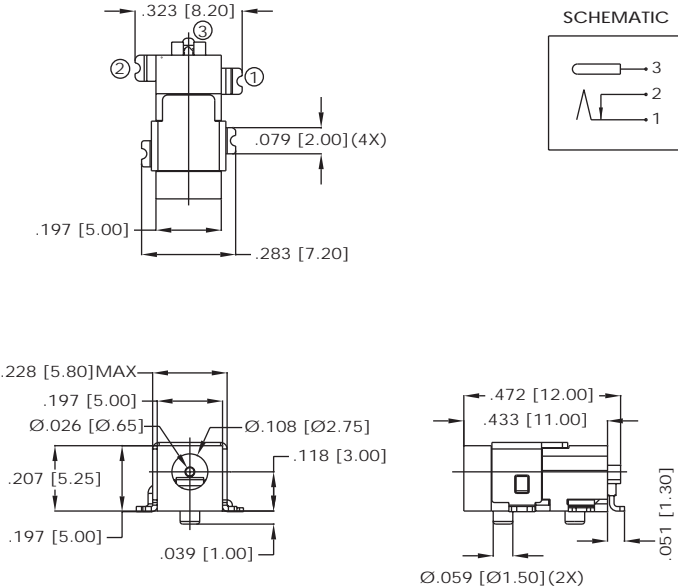
## TYPE F



## TYPE G



## TYPE H SMT JACK



## MECHANICAL DIAGRAM AND RECOMMENDED PLUG SIZES

