

# .050" SCSI II / III

.050" [1.27] RIGHT ANGLE & VERTICAL PCB MOUNT



## SPECIFICATIONS

### Material:

**Shell:** Zinc, Nickel-plated  
**Insulator:** PBT glass reinforced thermoplastic, rated UL 94V-0  
**Contacts:** Phosphor Bronze  
**Grounding bracket:** Zinc, nickel-plated  
**Boardlocks:** Phosphor Bronze, Tin-plated

### Electrical:

**Operation voltage:** 250 VAC max  
**Current rating:** 1 Amp max  
**Contact resistance:** 20 mΩ max  
**Insulation resistance:** 5000 MΩ min @ 1000 VDC between adjacent contacts (75°F and 50% R.H.)  
**Dielectric withstanding voltage:** 1000 VDC min rms (sea level)  
**Capacitance:** 2 pF max between adjacent contacts

### Plating:

5 μin gold on contact area over 50 μin nickel, 100 μin tin on solder-tails

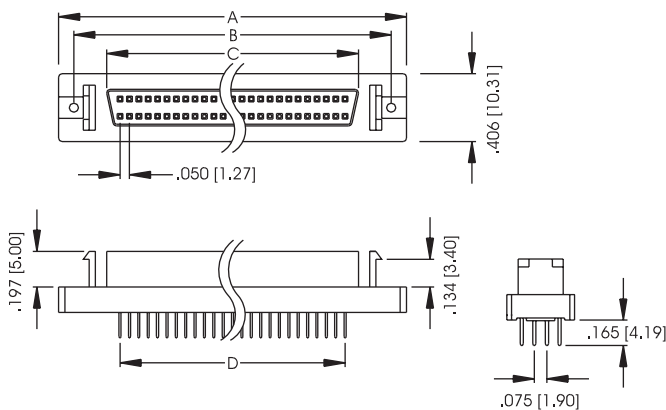


## ORDERING INFORMATION

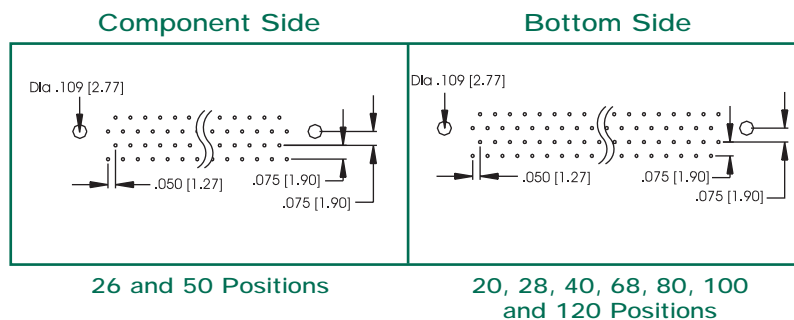
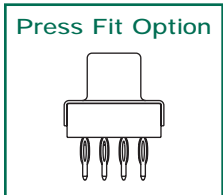
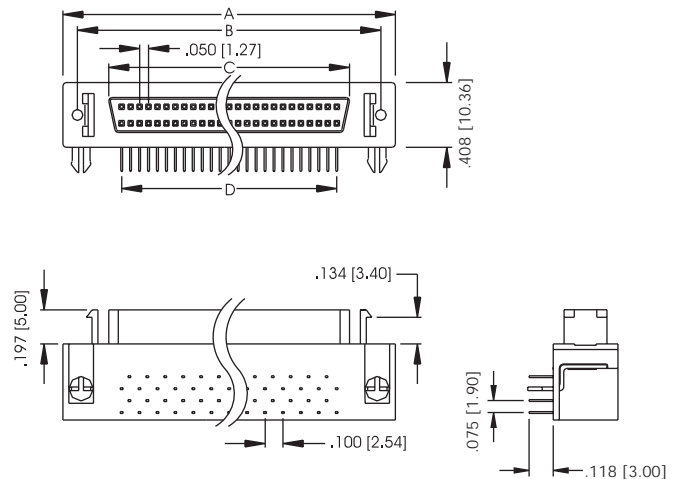
choose one from each category as shown in sample below

SR	50	L	1	A
Series	Positions	Face Latch Option	Right Angle Mount Options	Mounting Flange Threading
SR - SCSI II Right Angle Female SV - SCSI II Straight Female SE - SCSI II Edge Mount Male SF - SCSI III Discrete IDC Male SG - SCSI III IDC Flat Cable Male	20, 26, 28, 40, 50, 68, 80, 100, 120	L - Latches N - No Latches	1 - Boardsnaps 2 - #4-40 Threaded Holes 3 - #2-56 Threaded Holes 4 - .125 Non-Threaded Holes	A - #4-40 B - #2-56 C - M2, 6
				<b>Options</b> P - Press Fit Pins M - All Metal Body Str. Only

## SV SERIES STRAIGHT MOUNT FEMALE



## SR SERIES RIGHT ANGLE MOUNT FEMALE

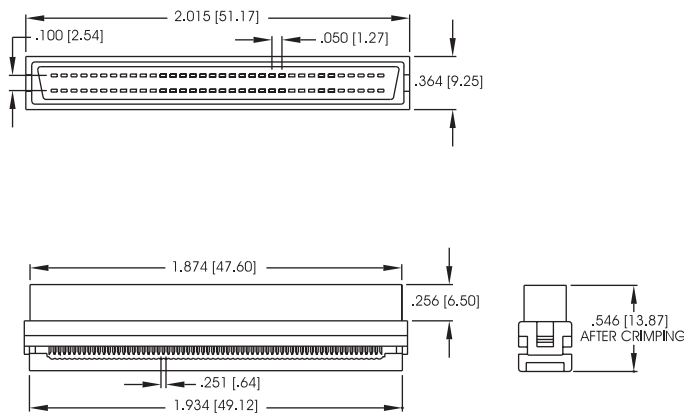


# .050" SCSI II / III

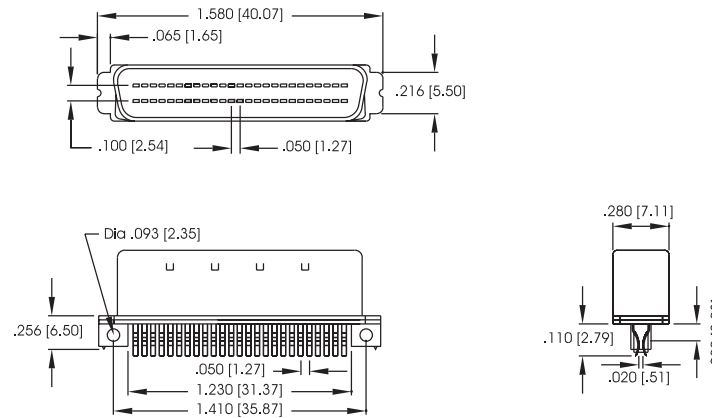
.050" [1.27] RIGHT ANGLE & VERTICAL PCB MOUNT



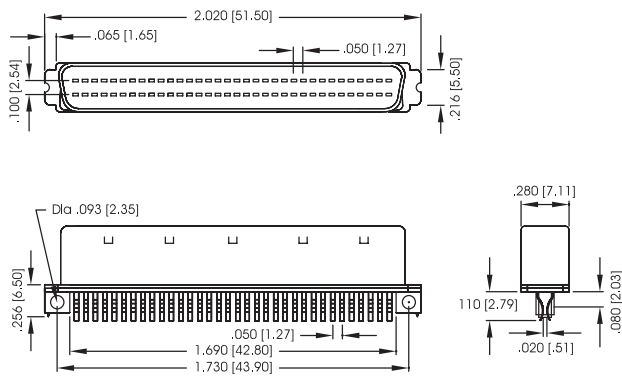
## SCSI III 68P IDC MALE FLAT CABLE - SG TYPE



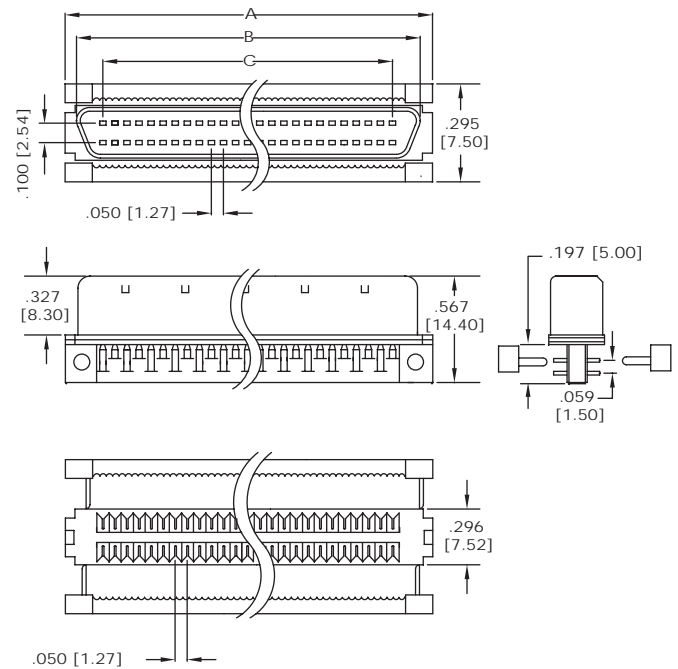
## SCSI II 50P EDGE MOUNT MALE SE TYPE



## SCSI III 68P EDGE MOUNT MALE SE TYPE



## SCSI III DISCRETE IDC MALE SF TYPE



Dimensional									
Positions	20	26	28	40	50	68	80	100	120
A	1.323 (33.60)	1.469 (37.30)	1.523 (38.68)	1.823 (46.30)	2.073 (52.65)	2.523 (64.08)	2.823 (71.70)	3.323 (84.40)	3.823 (97.10)
B	1.081 (27.45)	1.228 (31.20)	1.281 (32.53)	1.581 (40.15)	1.831 (46.50)	2.281 (57.93)	2.581 (65.55)	3.081 (78.25)	3.581 (90.95)
C	0.600 (15.25)	0.750 (19.05)	0.800 (20.33)	1.100 (27.95)	1.350 (34.50)	1.800 (45.73)	2.100 (53.35)	2.600 (66.05)	3.100 (78.75)
D	0.450 (11.43)	0.600 (15.24)	0.650 (16.51)	0.950 (24.13)	1.200 (30.48)	1.650 (41.91)	1.950 (49.53)	2.450 (62.23)	2.950 (74.93)

Unit: inch/mm