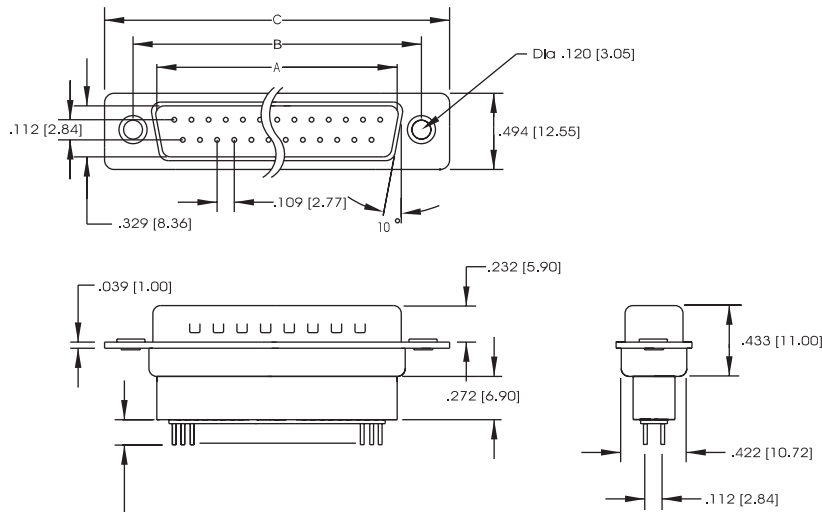


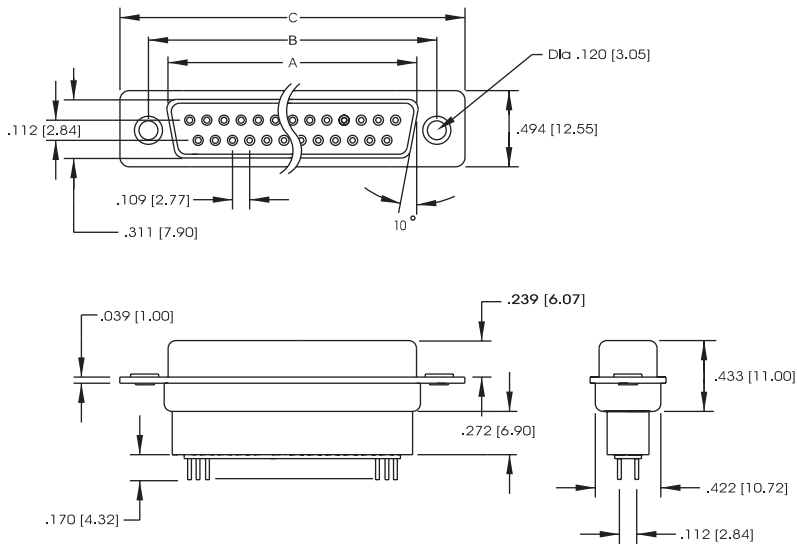
# D-SUB

STRAIGHT PCB MOUNT - HIGH PROFILE

## PLUG - HIGH PROFILE



## SOCKET - HIGH PROFILE



Dimensional: Socket				Dimensional: Plug			
Contacts	A	B	C	Contacts	A	B	C
9	.643 (16.33)	.984 (24.99)	1.213 (30.81)	9	.666 (16.92)	.984 (24.99)	1.213 (30.81)
15	.971 (24.66)	1.312 (33.32)	1.541 (39.14)	15	.994 (25.25)	1.312 (33.32)	1.541 (39.14)
25	1.511 (38.38)	1.852 (47.04)	2.088 (53.04)	25	1.534 (38.96)	1.852 (47.04)	2.088 (53.04)
37	2.159 (54.84)	2.500 (63.50)	2.729 (69.32)	37	2.182 (55.42)	2.500 (63.50)	2.729 (69.32)
50	2.064 (52.43)	2.406 (61.11)	2.635 (66.93)	50	2.079 (52.81)	2.406 (61.11)	2.635 (66.93)

Unit: inch/mm

## MOUNTING OPTIONS

