

BARRIER STRIPS

.250" / .325" / .375" CENTERLINE



SPECIFICATIONS

Material:

Insulator: PBT, glass reinforced thermoplastic, rated UL 94V-0
Contacts: Phosphor Bronze

Plating:

Terminals: Brass, tin plated
Screws: Steel, nickel plated
Hardware: Brass, tin plated

Electrical:

Operation voltage: 250 VAC max
Current rating: 10 Amp max
Insulation resistance: 5000 MΩ min @ 1000 VDC between adjacent contacts (75°F and 50% R.H.)
Dielectric withstanding voltage: 1000 VDC min rms (sea level)



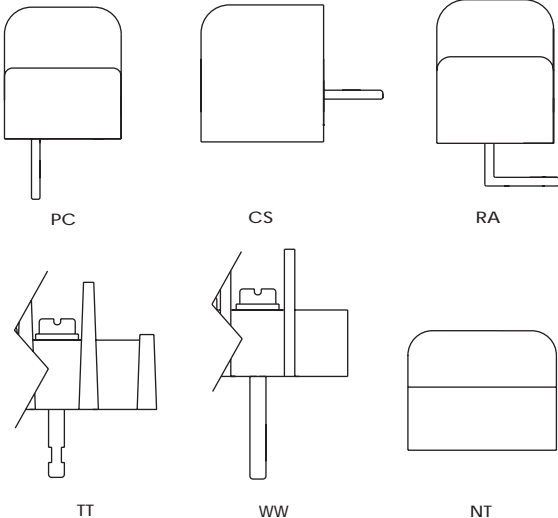
ORDERING INFORMATION

choose one from each category as shown in sample below

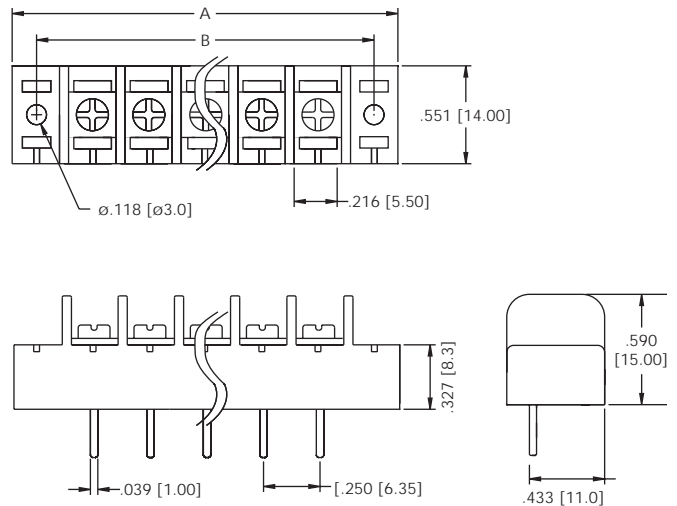
BS Series	A Type	PC Tail Type	MH Mounting	O4 Positions
BS - Barrier Strip Single Row BS2 - Barrier Strip Dual Row	A - .250" Barrier Strip With Offset Terminal B - .250" Closed Side Strip With Offset Terminal C - .325" Barrier Strip With Offset Tails D - .325" Barrier Strip With Centered Tails E - .325" Closed Side Strip With Centered Tails F - .375" Barrier Strip G - .375" Closed Side Strip H - .375" Dual Row 10 Amp Block I - .433" Dual Row 20 Amp Block J - .551" Dual Row 30 Amp Block	PC - Straight PCB Tails on Bottom CS - PCB Tail on Closed Side RA - Right Angle PCB Tail TT - Turret Terminal Tails WW - Wire Wrap Tails NT - No Tails	MH - Mounting Hole Ends NH - No Mounting Holes on End Positions	02-30

TAIL TYPE

TAIL TYPES



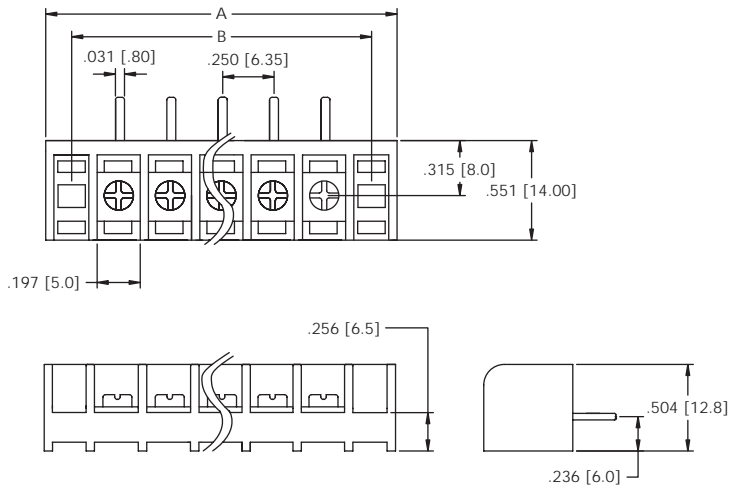
BS - A - PC - MH .250" CENTERLINE



BARRIER STRIPS

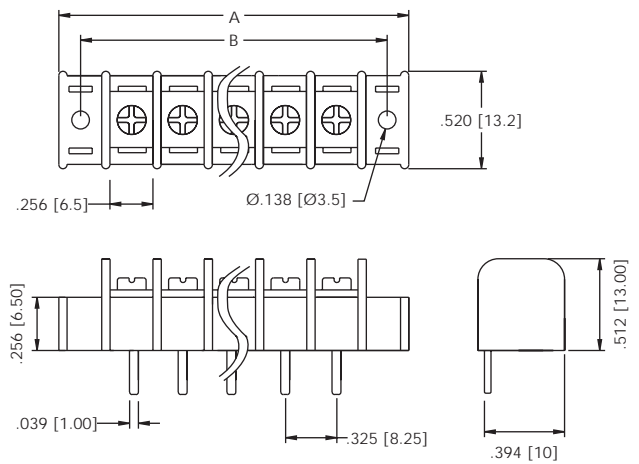
.250" / .325" / .375" CENTERLINE

BS - B - CS - MH .250" CENTERLINE



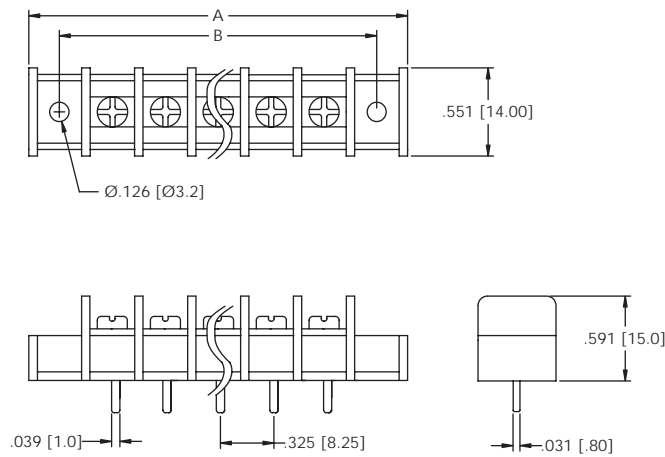
CS Tail Option Shown Other Tail Options Available

BS - C - PC - MH .325" CENTERLINE



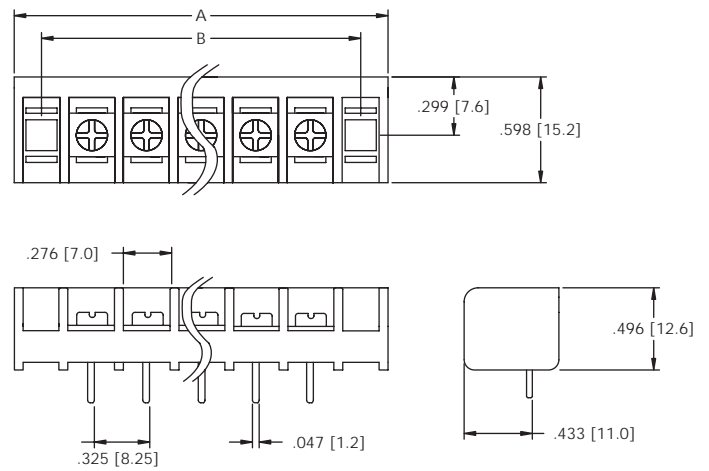
PC Tail Option Shown Other Tail Options Available

BS - D - PC - MH .325" CENTERLINE



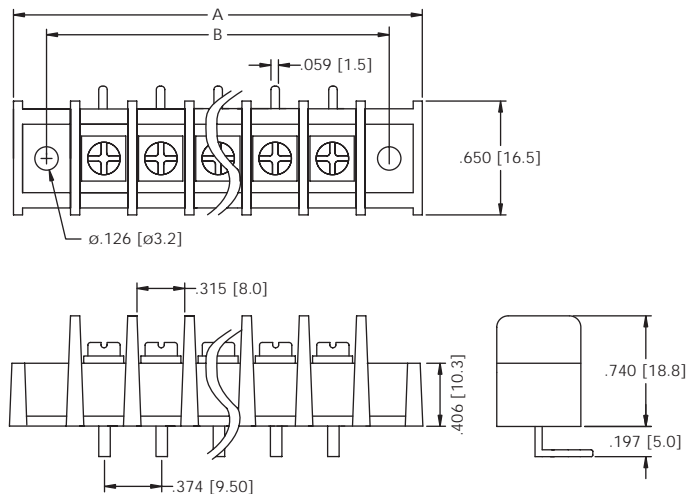
PC Tail Option Shown Other Tail Options Available

BS - E - PC - MH .325" CENTERLINE



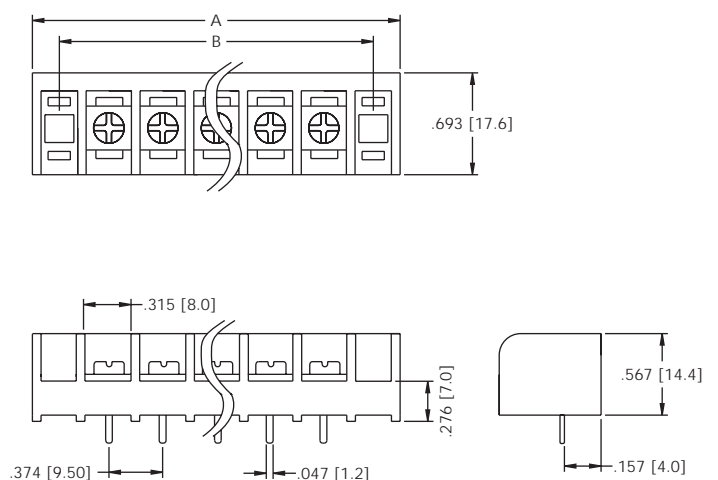
PC Tail Option Shown Other Tail Options Available

BS - F - RA - MH .375" CENTERLINE



RA Tail Option Shown Other Tail Options Available

BS - G - PC - MH .375" CENTERLINE

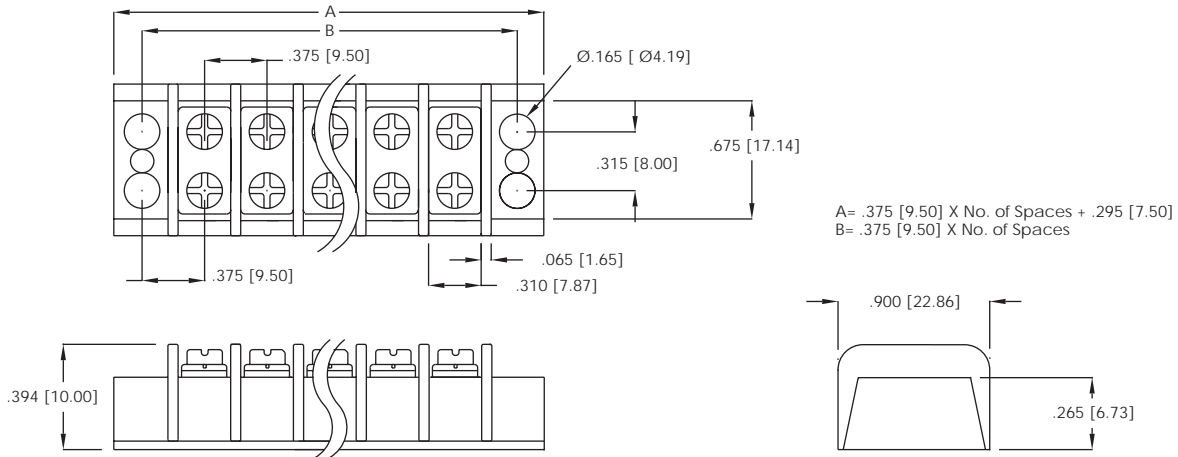


PC Tail Option Shown Other Tail Options Available

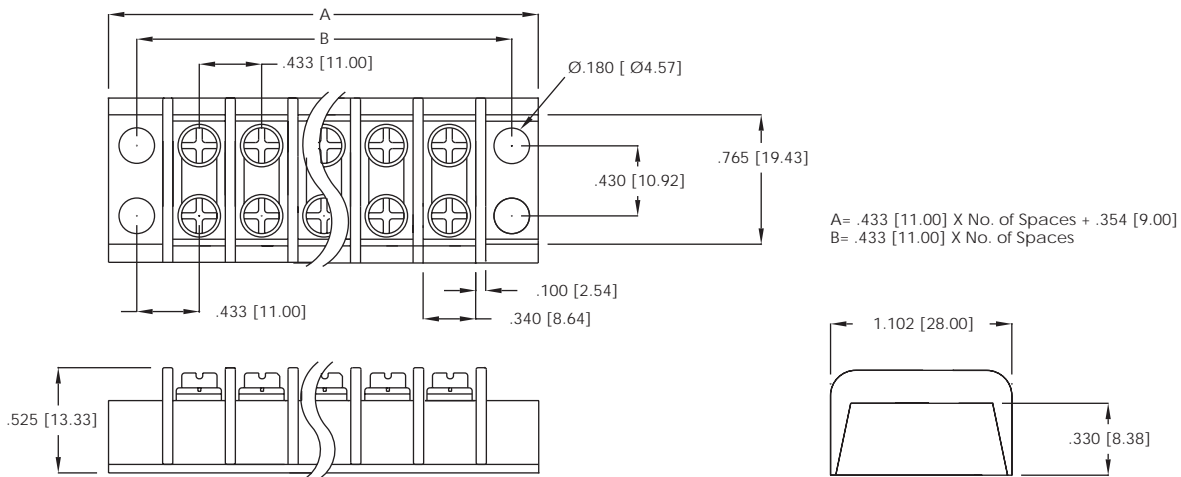
BARRIER STRIPS

.250" / .325" / .375" CENTERLINE

BS2 - H - NT - MH .375" CENTERLINE



BS2 - I - NT - MH .433" CENTERLINE



BS2 - J - NT - MH .551" CENTERLINE

