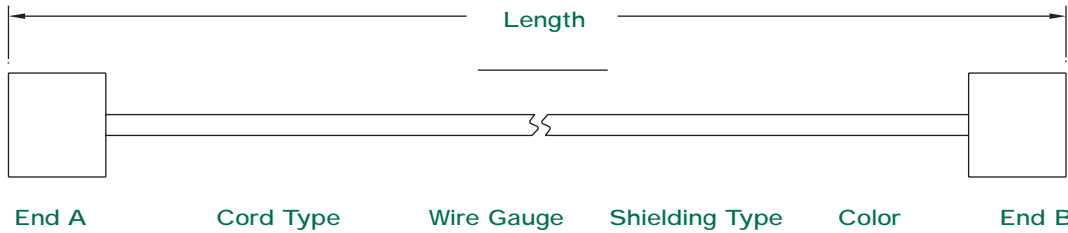


# POWER CORDSETS

NORTH AMERICAN/EUROPEAN/CUSTOM CORDSETS

## POWER CORD ASSEMBLY WORKSHEET

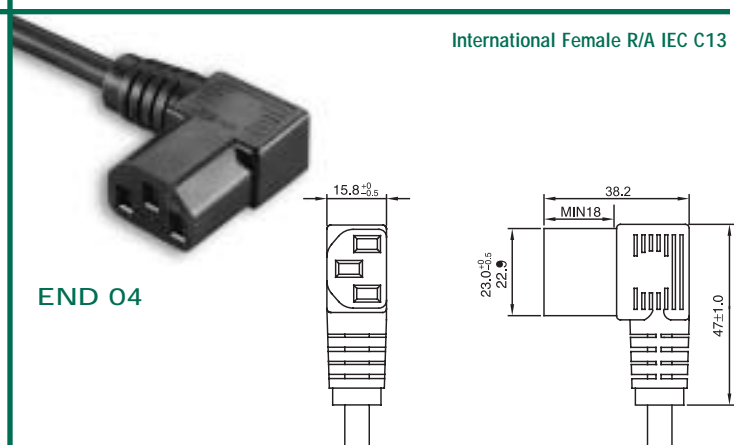
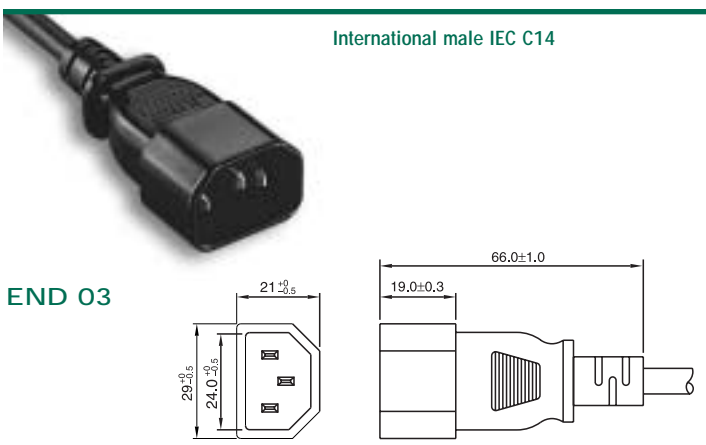
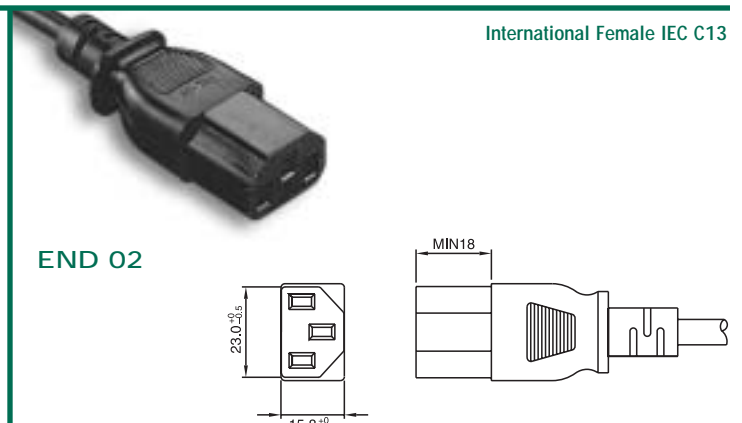
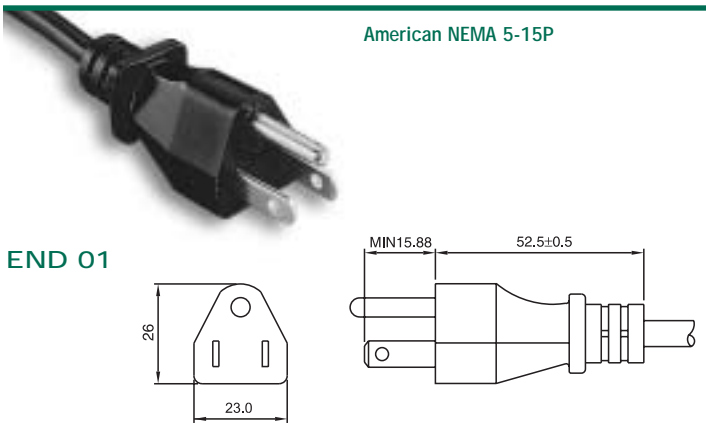


### ORDERING INFORMATION

choose one from each category as shown in sample below



| PC              | 01/02  | 060  | A   | 18  | 0   | 0  |
|-----------------|--|--|---|---|---|--|
| Series          | End/End  | Length   | Cord Type   | AWG   | Shield  | Color  |
| PC - Power Cord | 01, 02, 03, 04,<br>05, 06, 07, 08,<br>09, 10, 11, 12,<br>13, 14, 15, 16,<br>17, 18 | 060 = 6.0"<br>066 = 6'6"<br>070 = 7.0"<br>076 = 7'6" | A - SVT<br>B - SJT<br>C - SPT-1<br>D - SPT-2<br>E - SPT Non<br>Integral<br>F - H03 VVF<br>G - H05 VVF | 18 - 18<br>16 - 16<br>14 - 14<br>75 - 0.75mm <sup>2</sup><br>1 - 1.0mm <sup>2</sup> | 0 - No Shield<br>F - Foil Shield<br>T - Tinned Copper<br>Braid & Foil<br>Shield | 0 - Black<br>GY - Gray<br>WT - White<br>BG - Beige |



# POWER CORDSETS

NORTH AMERICAN/EUROPEAN/CUSTOM CORDSETS

