



**ROSE+BOPLA**  
ENCLOSURES

A PHOENIX MECANO COMPANY

**SE 4 & SE 5  
Plug Housings  
Product Drawings  
Last Updated 7/8/2008**

*Dimensional Drawings*



SE Plug Housings are functional low-cost plug or socket enclosures. These enclosure systems comprise country specific plugs and sockets. The offering extends from versatile

## SE 4 & SE 5 Plug Housings

unit construction to low-cost compact housings.

The two-tone housings in the SE4 series are molded of a blend of polycarbonate/ABS plastic, which is flame-resistant. Lids in this series are light gray and bases are graphite gray. The SE5 plug series are made of black flame-resistant polyamide.

Plug housings in the SE 4 and SE 5 series include: lid, base, and assembly screws, including connector pin/socket inserts, depending on the type.

### TECHNICAL DATA:

- Color: SE 4 Series—lid, light gray, similar to RAL 7035; base, graphite gray, similar to 7024. SE 5 Series—dark black, similar to RAL 9005. Special colors on request.
- Material: SE 4 Series—flame-resistant polycarbonate/ABS blend. SE 5 Series—flame-resistant polyamide, PA 6.6 FR.
- Protection Classifications: IP 40/DIN VDE 0470
- Flammability: SE 4 Series, UL 94 VO/1.6  
SE 5 Series, UL 94 VO/1
- Testing: SE 5 Series tested to VDE 0624/IEC 884.
- Subject to minimum order quantity of 500 pieces.

Note: Dimensions are external. Metric is the primary dimension. Inch conversions are for the user's convenience and are for reference only.

SE 4 & SE 5 Series Plug Housings						
Model Number SE 4 Series	Part Number SE 4 Series	Length (Inches/mm)	Width (Inches/mm)	Height (Inches/mm)	Weight LBS.	Drawing Page #
SE 406 E/CEE	43406204	2.56 / 65	1.97 / 50	1.18 / 30	0.15	17-287
SE 408 E/CEE	43408504	2.56 / 65	1.97 / 50	1.77 / 45	0.17	17-287
SE 410 E/CEE	43410104	3.94 / 100	1.97 / 50	0.98 / 25	0.18	17-287
SE 410 E/US*	43410404	3.94 / 100	1.97 / 50	0.98 / 25	0.18	17-287
SE 420 E/CEE	43420104	3.94 / 100	1.97 / 50	1.57 / 40	0.22	17-287
SE 420 EU	43420204	3.94 / 100	1.97 / 50	1.57 / 40	0.22	17-287
SE 420 E/US*	43420224	3.94 / 100	1.97 / 50	1.57 / 40	0.22	17-287
SE 430 E/CEE	43430004	4.72 / 120	2.56 / 65	1.57 / 40	0.29	17-287
SE 430 E/US*	43430104	4.72 / 120	2.56 / 65	1.57 / 40	0.29	17-287
SE 430 SEV*	43430604	4.72 / 120	2.56 / 65	1.57 / 40	0.29	17-287
SE 432 DE	43432504	4.72 / 120	2.56 / 65	1.97 / 50	0.37	17-287
SE 432 DE CEE	43432704	4.72 / 120	2.56 / 65	1.97 / 50	0.37	17-287
SE 432 DE SEV*	43432604	4.72 / 120	2.56 / 65	1.97 / 50	0.37	17-287
SE 435 DE	43435504	4.72 / 120	2.56 / 65	2.60 / 66	0.35	17-287
SE 435 DE-CEE	43435704	4.72 / 120	2.56 / 65	2.60 / 66	0.35	17-287
SE 435 E/CEE	43435004	4.72 / 120	2.56 / 65	2.60 / 66	0.35	17-287
SE 435 E/US*	43435204	4.72 / 120	2.56 / 65	2.60 / 66	0.35	17-287
SE 435 SEV*	43435604	4.72 / 120	2.56 / 65	2.60 / 66	0.35	17-287

\*500 piece minimum order quantity

DE=German version (DIN 49440/CEE 7 111); DE-CEE=French version (CEE 7V); DE-SEV=Swiss version (SEV 1011 type 13); EU=Euro plug, DIN VDE 0620, part 101; E/CEE=Plug, with ground, DIN 49441 R2; E-US=US version, with ground plug, UL 498 or ANSI St. A5-15; SEV=Swiss version, with ground. \*SEV-1011 type 12, minimum order 500+pieces.

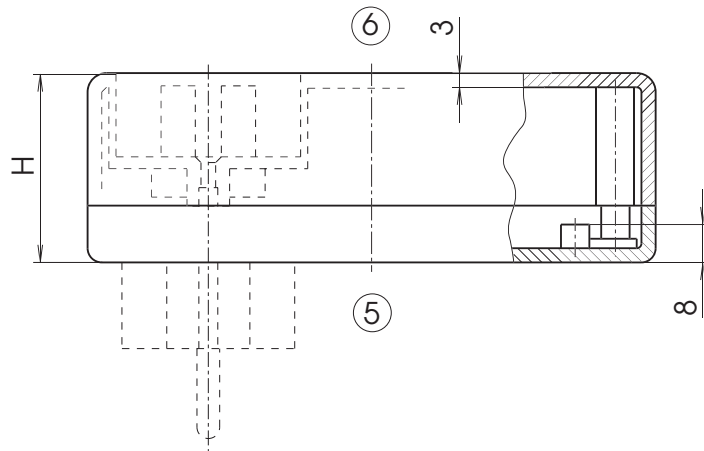
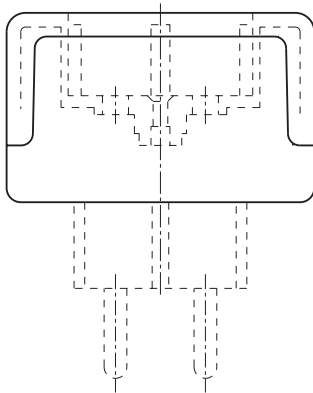
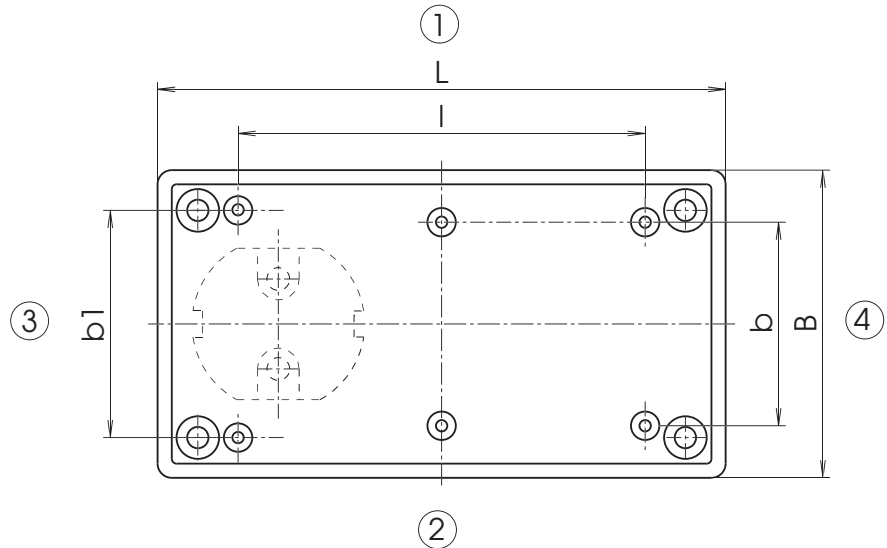
Model Number SE 5 Series	Part Number SE 5 Series	Description	Drawing Page #
SE 510 EU	43510200	Euro plug DIN VDE 0620 part 101	17-288
SE 510 E/CEE	43510000	German/French plug DIN 49441 R2	17-288
SE 510 AS	43510500	Australian plug AS 3112, without ground, 7.5A	17-288
SE 510 US	43510600	American plug US 498 ANSI ST. A1-15, without ground, 15A	17-288
SE 510 GB	43510300	British plug GB-BS 1363, with ground, 13A fuse	17-288
SE 510 EU-L	43510210	Euro plug DIN VDE 0620 part 101, with ventilation	17-288
SE 510 E/CEE-L	43510010	German/French plug DIN 49441 R2, with ventilation	17-288
SE 510 AS-L	43510510	Australian plug AS 3112, without ground, 7.5A, with ventilation	17-288
SE 510 US-L	43510610	American plug US 498 ANSI ST. A 1-15, without ground 15A, with ventilation	17-288
SE 510 GB-L	43510310	British plug BG-BS 1363, with ground, 13A fuse, with ventilation	17-288
SE 520 EU	43520200	Euro plug DIN VDE 0620 part 101	17-289
SE 520 E/CEE	43520000	German/French plug DIN 49441 R2	17-289
SE 520 AS	43520500	Australian plug AS 3112, without ground, 7.5A	17-289
SE 520 US	43520600	American plug US 498 ANSI ST. A 1-15, without ground, 15A	17-289
SE 520 GB	43520300	British plug GB-BS 1363, with ground, 13A fuse	17-289
SE 520 EU-L	43520210	Euro plug DIN VDE 0620 part 101, with ventilation	17-289
SE 520 E/CEE-L	43520010	German/French plug DIN 49441 R2, with ventilation	17-289
SE 520 AS-L	43520510	Australian plug AS 3112, without ground, 7.5A, with ventilation	17-289
SE 520 US-L	43520610	American plug US 498 ANSI ST. A 1-15, without ground, 15A, with ventilation	17-289
SE 520 GB-L	43520310	British plug GB-BS 1363, with ground, 13A fuse, with ventilation	17-289

Note: All models in SE 5 Series require minimum order quantity of 500+ pieces. Accessories shown on drawing page.

## SE 4 Series Plug Housings

### Standard Features

- **SE 406 E/CEE/43406204** Plug housing with ground (DIN 49441 R2)
- **SE 408 E/CEE/43408504** Plug housing with ground (DIN 49441 R2)
- **SE 410 E/CEE/43410104** Plug housing with ground (DIN 49441 R2)
- **SE 410 E-US/43410404** US version, with ground plug, UL 498 or ANSI St. A5-15, minimum order 500+ pieces.
- **SE 420 E/CEE/43420104** Plug housing with ground (DIN 49441 R2)
- **SE 420 EU/43420204** Euro plug, DIN VDE 0620, part 101
- **SE 420 E-US/43420224** US version, with ground plug, UL 498 or ANSI St. A5-15, minimum order 500+ pieces.
- **SE 430 E/CEE/43430004** Plug housing with ground (DIN 49441 R2)
- **SE 430 E-US/43430104** US version, with ground plug, UL 498 or ANSI St. A5-15, minimum order 500+ pieces.
- **SE 430 SEV/43430604** Swiss version with ground. SEV-1011 type 12, minimum order quantity 500+ pieces.
- **SE 432 DE/43432504** German Plug housing with socket (DIN 49440/CEE 7 111)
- **SE 432 DE-CEE/43432704** French version (CEE 7V).
- **SE 432 DE SEV/43432604** Swiss version (SEV-1011 type 13). Minimum order quantity 500+ pieces.
- **SE 435 DE/43435504** German Plug housing with socket (DIN 49440/CEE 7 111)
- **SE 435 DE-CEE/43435704** French version (CEE 7V).
- **SE 435 E/CEE/43435004** Plug housing with ground (DIN 49441 R2)
- **SE 435 E-US/43435204** US version, with ground plug, UL 498 or ANSI St. A5-15, minimum order 500+ pieces.
- **SE 435 SEV/43435604** Swiss version with ground. SEV-1011 type 12, minimum order quantity 500+ pieces.



### Plug Enclosures

MODEL #	EU	E/CEE	SEV	E - US	L	W	H	l	b	b1
SE 406 ...	-	X	-	-	65	50	30	32	33	33
SE 408 ...	-	X	-	-	65	50	45	32	33	33
SE 410 ...	-	X	-	X	100	50	25	66	28	33
SE 420 ...	X	X	-	X	100	50	40	66	28	3
SE 430 ...	-	X	X	X	120	65	40	86	43	47.5
SE 435 ...	-	X	X	X	120	65	66	86	43	47.5

### Plug Enclosures with Socket

MODEL #	E	E/CEE	SEV	L	W	H	l	b	b1
SE 432 DE	X	X	X	120	65	50	86	43	47.5
SE 435 DE	X	X	-	120	65	66	86	43	47.5

# Plug Housings

## SE 510 Series Plug Housings

### Standard Features

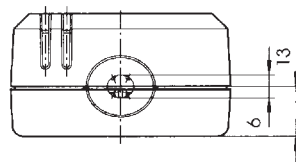
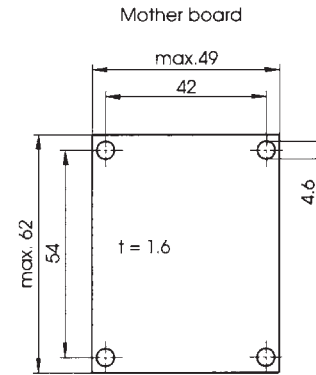
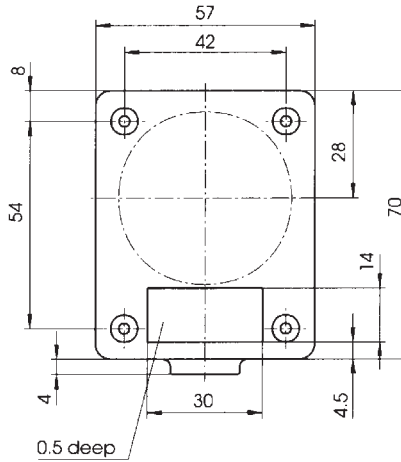
- SE 510 EU/43510200 Euro plug, DIN VDE 0620 part 101
- SE 510 E/CEE/43510000 German/French plug DIN 49441 R2
- SE 510 AS/43510500 Australian plug AS 3112, without ground, 7.5A
- SE 510 US/43510600 American plug US 498 ANSI ST. A1-15, without ground, 15A.
- SE 510 GB/43510300 British plug GB-BS 1363, with ground, 13A fuse.
- SE 510 EU-L/43510210 Euro plug DIN VDE 0620 part 101, with ventilation.
- SE 510 E/CEE-L/43510010 German/French plug DIN 49441 R2, with ventilation.
- SE 510 AS-L/43510510 Australian plug AS 3112, without ground, 7.5A, with ventilation.
- SE 510 US-L/43510610 American plug US 498 ANSI ST. A 1-15, without ground, 15A, with ventilation.
- SE 510 GB-L/43510310 British plug GB-BS 1363, with ground, 13A fuse, with ventilation.

Note: All models require a minimum quantity order of 500+ pieces

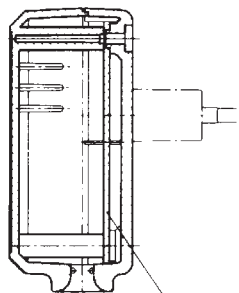
Because of their compactness and integrated cable inlets, enclosures in the SE 5 Series are especially suitable for use as transformer power units. Cable inlet is designed to accommodate cable diameter of 6.5 mm (0.26"). Depending on the design, the cable is automatically equipped with strain relief at the enclosure screw point. PC boards are easy to mount in the SE 5 Series. They can be clamped between the lid and base, which positions them above the socket. The air gap between the PC board and the connector pins is at least 7 mm (0.28"). In all cases the lids are available with 0.5 mm (0.02") membrane area, and as required, with or without ventilation.

The SE Series are tested to VDE 0624 / IEC 884.

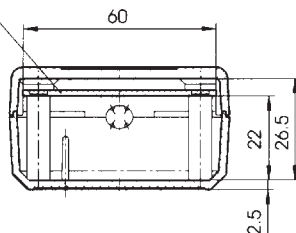
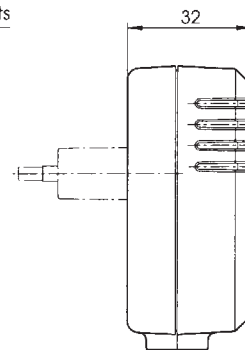
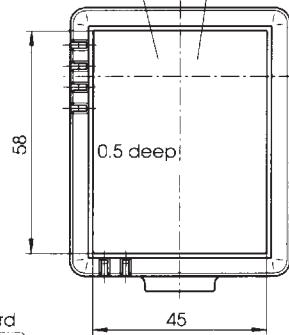
### Plugs SE 510 ...



with vents      without vents



Mother board





**SE 520 Series Plug Housings**

**Standard Features**

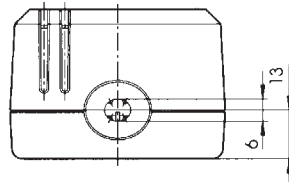
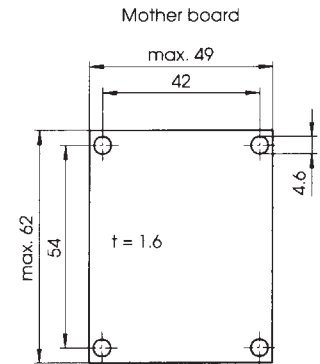
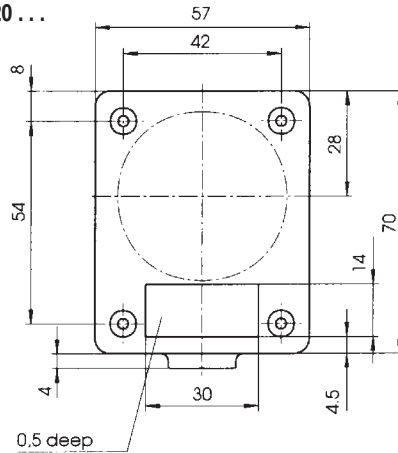
- SE 520 EU/43520200 Euro plug DIN VDE 0620 part 101
- SE 520 E/CEE/43520000 German/French plug DIN 49441 R2
- SE 520 AS/43520500 Australian plug AS 3112, without ground, 7.5A.
- SE 520 US/43520600 American plug US 498 ANSI ST. A 1-15, with ground, 15A.
- SE 520 GB/43520300 British plug GB-BS 1363, with ground, 13A fuse.
- SE 520 EU-L/43520210 Euro plug DIN VDE 0620 part 101, with ventilation.
- SE 520 E/CEE-L/43520010 German/French plug DIN 49441 R2, with ventilation.
- SE 520 AS-L/43520510 Australian plug AS 3112, without ground, 7.5A, with ventilation.
- SE 520 US-L/43520610 American plug US 498 ANSI ST. A 1-15, without ground, 15A, with ventilation.
- SE 520 GB-L/43520310 British GB-BS 1363, with ground, 13A fuse, with ventilation.

Note: All models require a minimum quantity order of 500+ pieces

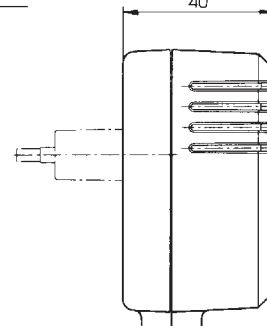
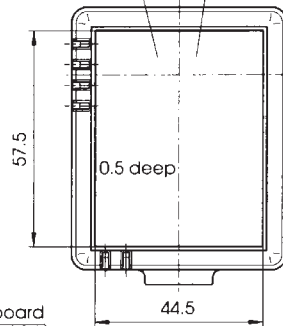
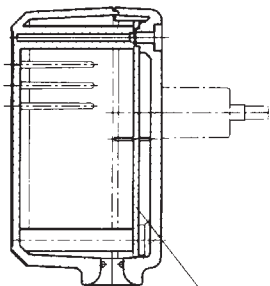
Because of their compactness and integrated cable inlets, enclosures in the SE 5 Series are especially suitable for use as transformer power units. Cable inlet is designed to accommodate cable diameter of 6.5 mm (0.26"). Depending on the design, the cable is automatically equipped with strain relief at the enclosure screw point. PC boards are easy to mount in the SE 5 Series. They can be clamped between the lid and base, which positions them above the socket. The air gap between the PC board and the connector pins is at least 7 mm (0.28"). In all cases the lids are available with 0.5 mm (0.02") membrane area, and as required, with or without ventilation.

The SE Series are tested to VDE 0624 / IEC 884.

Plugs SE 520 ...



with vents      without vents



Mother board

