



ROSE+BOPLA
ENCLOSURES

A PHOENIX MECANO COMPANY

DATABOSS
Handheld Enclosures
Product Drawings
Last Updated 6/5/2008



Databoss Series

This highly adaptable ABS hand-held enclosure system is available in gray or black, depending on the design. Each enclosure type provides different equipment features and accessories, so making it easy to find the ideal enclosure for use with a wide range of mobile data collection and processing applications.

TECHNICAL DATA:

- Color: Depending on model; black, similar to RAL 9005 and or agate gray, similar to RAL 7038. Special colors on request, minimum order quantity 500+.
- Material—ABS; display screen: clear polycarbonate.
- Ingress Protection: IP40 to DIN VDE 0470
- Surface Resistance: $>10^{14}$ Ohm to DIN 53482
- Disruptive Strength: 17kV/mm to DIN 53481
- Flammability: UL 94 HB/1.6

Databoss Series						
Model Number	Part Number	Length (Inches/mm)	Width (Inches/mm)	Height (Inches/mm)	Weight lbs.	Drawing
BOS 400*	34400000	3.94 / 100	2.56 / 65	.94 / 24	.002	17-138
BOS 400 ASC	34400500	3.94 / 100	2.56 / 65	.94 / 24	.123	17-138
BOS 401*	24401000	3.94 / 100	2.56 / 65	.94 / 24	.104	17-138
BOS 401 ASC	34401500	3.94 / 100	2.56 / 65	.94 / 24	.123	17-138
BOS 500*	34500000	4.72 / 120	2.36 / 60	.98 / 25	.121	17-139
BOS 501*	34501000	4.72 / 120	2.36 / 60	.98 / 25	.121	17-139
BOS 502*	34502000	4.72 / 120	2.36 / 60	.98 / 25	.117	17-139
BOS 503*	34503000	4.72 / 120	2.36 / 60	.98 / 25	.121	17-139
BOS 600	34600000	6.77 / 172	3.03 / 77	.98 / 25	.249	17-140
BOS 601	34601000	6.77 / 172	3.03 / 77	.98 / 25	.258	17-140
BOS 602	34602000	6.77 / 172	3.03 / 77	.98 / 25	.265	17-140
BOS 700*	34700000	5.90 / 150	3.15 / 80	1.18 / 30	.192	17-141
BOS 701*	34701000	5.90 / 150	3.15 / 80	1.18 / 30	.190	17-141
BOS 704*	34704000	5.90 / 150	3.15 / 80	1.18 / 30	.192	17-141
BOS 705*	34705000	5.90 / 150	3.15 / 80	1.18 / 30	.194	17-141
BOS 750*	34750000	6.18 / 157	3.31 / 84	1.18 / 30	.240	17-142
BOS 751*	34751000	6.18 / 157	3.31 / 84	1.18 / 30	.236	17-142
BOS 752*	34752000	6.18 / 157	3.31 / 84	1.18 / 30	.232	17-142
BOS 753*	34753000	6.18 / 157	3.31 / 84	1.18 / 30	.225	17-142
BOS 754*	24754000	6.18 / 157	3.31 / 84	1.18 / 30	.225	17-142
BOS 755*	34755000	6.18 / 157	3.31 / 84	1.18 / 30	.214	17-142
BOS 756*	34756000	6.18 / 157	3.31 / 84	1.18 / 30	.240	17-143
BOS 757*	34757000	6.18 / 157	3.31 / 84	1.18 / 30	.240	17-143
BOS 758*	34758000	6.18 / 157	3.31 / 84	1.18 / 30	.232	17-143
BOS 759*	34759000	6.18 / 157	3.31 / 84	1.18 / 30	.227	17-143
BOS 760*	34760000	6.18 / 157	3.31 / 84	1.18 / 30	.227	17-143
BOS 761*	34761000	6.18 / 157	3.31 / 84	1.18 / 30	.218	17-143
BOS 800*	34800000	7.72 / 196	3.94 / 100	1.57 / 40	.439	17-144
BOS 801*	34801000	7.72 / 196	3.94 / 100	1.57 / 40	.441	17-144
BOS 802*	34802000	7.72 / 196	3.94 / 100	1.57 / 40	.443	17-144
BOS 803*	34803000	7.72 / 196	3.94 / 100	1.57 / 40	.381	17-144
BOS 804*	34804000	7.72 / 196	3.94 / 100	1.57 / 40	.386	17-144
BOS 805*	34805000	7.72 / 196	3.94 / 100	1.57 / 40	.441	17-144
BOS 807*	34807000	7.72 / 196	3.94 / 100	1.57 / 40	.421	17-145
BOS 808*	34808000	7.72 / 196	3.94 / 100	1.57 / 40	.364	17-145
BOS 900**	34900009	8.31 / 211	3.94 / 100	1.02 / 26**	.324	17-145
BOS 901**	34901009	8.31 / 211	3.94 / 100	1.02 / 26**	.463	17-146
BOS 902**	34902009	8.31 / 211	3.94 / 100	1.02 / 26**	.399	17-146
BOS 903**	34903009	8.82 / 224	3.94 / 100	1.02 / 26**	.379	17-147
BOS 910*	34910009	8.82 / 224	4.17 / 106	1.57 / 40	.428	17-147
BOS 911	34911009	8.82 / 224	4.17 / 106	1.57 / 40	.496	17-148
BOS 912	34912009	8.82 / 224	4.17 / 106	1.57 / 40	.496	17-148
BOS 913*	34913009	8.82 / 224	4.17 / 106	1.57 / 40	.496	17-149

* Can be combined with universal docking station UDS.

** Accessory ZR 900 can be used to increase the height to 36mm, 1.42". ZR 900 formerly EXP 900.

• Non-stocked item. Minimum order may apply.

Note: Dimensions are external. Metric is the primary dimension.

Inch conversions are for the user's convenience and are for reference only.

Accessories shown on drawing page.

Databoss 400

Model Number	Part Number	Length (Inches/mm)	Width (Inches/mm)	Height (Inches/mm)	Weight lbs.	Drawing
BOS 400*	34400000	3.94 / 100	2.56 / 65	.94 / 24	.002	17-138
BOS 400 ASC	34400500	3.94 / 100	2.56 / 65	.94 / 24	.123	17-138
BOS 401*	34401000	3.94 / 100	2.56 / 65	.94 / 24	.104	17-138
BOS 401 ASC	34401500	3.94 / 100	2.56 / 65	.94 / 24	.123	17-138

*Can be combined with universal docking station UDS.

Note: Dimensions are external. Metric is the primary dimension. Inch conversions are for the user's convenience and are for reference only.

Accessories shown on drawing page.

- Keypad Area: L50 x W83 x D1 mm.
- BOS 400–housing with battery compartment for one 9V battery.
- BOS 400 ASC–housing with battery compartment for one 9V battery, with belt clip installed.
- BOS 401–housing without battery compartment.
- BOS 401 ASC–housing without battery compartment, with belt clip installed.
- Belt clip part number ASC 1 can be ordered separately.



Databoss 500

Model Number	Part Number	Length (Inches/mm)	Width (Inches/mm)	Height (Inches/mm)	Weight lbs.	Drawing
BOS 500*	34500000	4.72 / 120	2.36 / 60	.98 / 25	.121	17-139
BOS 501*	34501000	4.72 / 120	2.36 / 60	.98 / 25	.121	17-139
BOS 502*	34502000	4.72 / 120	2.36 / 60	.98 / 25	.117	17-139
BOS 503*	34503000	4.72 / 120	2.36 / 60	.98 / 25	.121	17-139

* Can be combined with universal docking station UDS.

Note: Dimensions are external. Metric is the primary dimension. Inch conversions are for the user's convenience and are for reference only.

Accessories shown on drawing page.

- Keypad Area: L53 x W47.6 x D0.75mm.
- Bos 500–housing with wrap-around display window and battery compartment for one 9V battery.
- BOS 501–housing with flat display window and battery compartment for one 9V battery.
- Bos 502–housing with battery compartment for one 9V battery. No display window.
- Bos 503–housing with enlarged keypad area and battery compartment for one 9V battery. No display window.





Databoss 600

Model Number	Part Number	Length (Inches/mm)	Width (Inches/mm)	Height (Inches/mm)	Weight lbs.	Drawing
BOS 600	34600000	6.77 / 172	3.03 / 77	.98 / 25	.249	17-140
BOS 601	34601000	6.77 / 172	3.03 / 77	.98 / 25	.258	17-140
BOS 602	34602000	6.77 / 172	3.03 / 77	.98 / 25	.265	17-140

Note: Dimensions are external. Metric is the primary dimension. Inch conversions are for the user's convenience and are for reference only.
Accessories shown on drawing page.

- Keypad Area: Bos 600 L52 x W112 x D1mm.
Bos 601 L52 x W154 x D1mm.
Bos 602 L52 x W112 x D1mm.
- BOS 600—housing with display opening and battery compartment for one 9V battery.
- BOS 601—housing with battery compartment for one 9V battery. No display opening.
- BOS 602—housing with speaker holes and battery compartment for three AA batteries.



Databoss 700

Model Number	Part Number	Length (Inches/mm)	Width (Inches/mm)	Height (Inches/mm)	Weight lbs.	Drawing
BOS 700*	34700000	5.90 / 150	3.15 / 80	1.18 / 30	.192	17-141
BOS 701*	34701000	5.90 / 150	3.15 / 80	1.18 / 30	.190	17-141
BOS 704*•	34704000	5.90 / 150	3.15 / 80	1.18 / 30	.192	17-141
BOS 705*	34705000	5.90 / 150	3.15 / 80	1.18 / 30	.194	17-141

* Can be combined with universal docking station UDS.

- Non-stocked item. Minimum order may apply

Note: Dimensions are external. Metric is the primary dimension. Inch conversions are for the user's convenience and are for reference only.
Accessories shown on drawing page.

- Keypad Area:
BOS 700 - BOS 705, L65 x W60 x D0.5mm.
- BOS 700—housing with display opening, 2.28" x .91", and battery compartment for one 9V battery.
- BOS 701—housing with display opening, 1.89" x .71", and battery compartment for one 9V battery.
- BOS 704—housing with display opening, 2.28" x .91", slide for switches and battery compartment for one 9V battery.
- BOS 705—housing with display opening, 1.89" x .71", slide for switches and battery compartment for one 9V battery.

Databoss 750

Model Number	Part Number	Length (Inches/mm)	Width (Inches/mm)	Height (Inches/mm)	Weight lbs.	Drawing
BOS 750*	34750000	6.18 / 157	3.31 / 84	1.18 / 30	.240	17-142
BOS 751*	34751000	6.18 / 157	3.31 / 84	1.18 / 30	.236	17-142
BOS 752*	34752000	6.18 / 157	3.31 / 84	1.18 / 30	.232	17-142
BOS 753*	34753000	6.18 / 157	3.31 / 84	1.18 / 30	.225	17-142
BOS 754*	34754000	6.18 / 157	3.31 / 84	1.18 / 30	.225	17-142
BOS 755*	34755000	6.18 / 157	3.31 / 84	1.18 / 30	.214	17-142
BOS 756*	34756000	6.18 / 157	3.31 / 84	1.18 / 30	.240	17-143
BOS 757*	34757000	6.18 / 157	3.31 / 84	1.18 / 30	.240	17-143
BOS 758*	34758000	6.18 / 157	3.31 / 84	1.18 / 30	.232	17-143
BOS 759*	34759000	6.18 / 157	3.31 / 84	1.18 / 30	.227	17-143
BOS 760*	34760000	6.18 / 157	3.31 / 84	1.18 / 30	.227	17-143
BOS 761*	34761000	6.18 / 157	3.31 / 84	1.18 / 30	.218	17-143

* Can be combined with universal docking station UDS.

Note: Dimensions are external. Metric is the primary dimension. Inch conversions are for the user's convenience and are for reference only.

Accessories shown on drawing page.



- Keypad Area:
BOS 750, 751, 753, 754, 756, 757, 759 and 760:
L70 x W86 x D1mm.
BOS 752, 755, 758 and 761: L70 x W133 x D1mm.
- BOS 750—housing with wrap-around display window and battery compartment for one 9V battery.
- BOS 751—housing with flat display window and battery compartment for one 9V battery.
- BOS 752—housing with battery compartment one 9V battery. No display window.
- BOS 753—housing with wrap-around display window. No battery compartment.
- BOS 754—housing with flat display window. No battery compartment.
- BOS 755—housing without display window or battery compartment.
- BOS 756—housing with wrap-around display window, side switch, and battery compartment for one 9V battery.
- BOS 757—housing with flat display window, side switch and battery compartment for one 9V battery.
- BOS 758—housing without display window, with side switch and battery compartment for one 9V battery.
- BOS 759—housing with wrap-around display window and side switch. No battery compartment.
- BOS 760—housing with flat display window and side switch. No battery compartment.
- BOS 761—housing without display window or battery compartment. With side switch.

Handhelds

Databoss 800



Model Number	Part Number	Length (Inches/mm)	Width (Inches/mm)	Height (Inches/mm)	Weight lbs.	Drawing
BOS 800*	34800000	7.72 / 196	3.94 / 100	1.57 / 40	.439	17-144
BOS 801*	34801000	7.72 / 196	3.94 / 100	1.57 / 40	.441	17-144
BOS 802*	34802000	7.72 / 196	3.94 / 100	1.57 / 40	.443	17-144
BOS 803*	34803000	7.72 / 196	3.94 / 100	1.57 / 40	.381	17-144
BOS 804*	34804000	7.72 / 196	3.94 / 100	1.57 / 40	.386	17-144
BOS 805*	34805000	7.72 / 196	3.94 / 100	1.57 / 40	.441	17-144
BOS 807*	34807000	7.72 / 196	3.94 / 100	1.57 / 40	.421	17-145
BOS 808*	34808000	7.72 / 196	3.94 / 100	1.57 / 40	.364	17-145

* Can be combined with universal docking station UDS.

Note: Dimensions are external. Metric is the primary dimension. Inch conversions are for the user's convenience and are for reference only.

Accessories shown on drawing page.

- Keypad Area:
BOS 800, 801, 803, 804, L80 x W92.5 x D1mm.
BOS 802 and 805, L80 x W92.5 x D.25mm.
BOS 807, L80 x W160 x D1mm.
- BOS 800—housing with wrap-around display window and battery compartment for 4-AA batteries or 2-9V batteries.
- BOS 801—housing with flat display window and battery compartment for 4-AA batteries or 2-9V batteries.
- BOS 802—housing with battery compartment for 4-AA batteries or 2-9V batteries. Without display window.
- BOS 803—housing with wrap-around window. Without battery compartment.
- BOS 804—housing with flat display window. Without battery compartment.
- BOS 805—housing without display window and without battery compartment.
- BOS 807—housing with enlarged keypad area and battery compartment for 4-AA batteries or 2-9V batteries. Without display window.
- BOS 808—housing with enlarged keypad area. Without display window and without battery compartment.

Databoss 900

Model Number	Part Number	Length (Inches/mm)	Width (Inches/mm)	Height (Inches/mm)	Weight lbs.	Drawing
BOS 900**	34900009	8.31 / 211	3.94 / 100	1.02 / 26**	.324	17-145
BOS 901***	34901009	8.31 / 211	3.94 / 100	1.02 / 26**	.463	17-146
BOS 902**	24902009	8.31 / 211	3.94 / 100	1.02 / 26**	.399	17-146
BOS 903***	34903009	8.82 / 224	3.94 / 100	1.02 / 26**	.379	17-147

* Can be combined with the universal docking station.

** Accessory ZR 900 can be used to increase the height to 36mm, 1.42". ZR 900 formerly EXP 900

• Non-stocked item. Minimum order may apply

Note: Dimensions are external. Metric is the primary dimension. Inch conversions are for the user's convenience and are for reference only.

Accessories shown on drawing page.

- Keypad Area BOS 900–BOS 903: W75mm x H131.5mm x D1mm (2.95" x 5.18" x .04")
- Display Area BOS 900–BOS 903: 16 characters x 4 lines, W85mm x H45mm x D1mm (3.35" x 1.77" x .04").
- BOS 900–housing with display window. No battery compartment.
- BOS 901–housing with display screen and carrying strap. No battery compartment.
- BOS 902–housing with display screen, carrying strap and battery compartment for four AA batteries.
- BOS 903–housing with display screen, carrying strap and battery compartment for two 9V batteries.



Databoss 910

Databoss 910						
Model Number	Part Number	Length (Inches/mm)	Width (Inches/mm)	Height (Inches/mm)	Weight lbs.	Drawing
BOS 910*	34910009	8.82 / 224	4.17 / 106	1.57 / 40	.428	17-147
BOS 911	34911009	8.82 / 224	4.17 / 106	1.57 / 40	.496	17-148
BOS 912	34912009	8.82 / 224	4.17 / 106	1.57 / 40	.496	17-148
BOS 913*	34913009	8.82 / 224	4.17 / 106	1.57 / 40	.496	17-149

* Can be combined with the universal docking station.

• Non-stocked item. Minimum order may apply.

Note: Dimensions are external. Metric is the primary dimension. Inch conversions are for the user's convenience and are for reference only.

Accessories shown on drawing page.

- Keypad Area BOS 910-BOS 913: W75mm x H131.5mm x D1mm (2.95" x 5.18" x .04")
- Display Area BOS 910-BOS 913: Display 128 x 64 dots, W85mm x 45mm x 1mm (3.35" x 1.77" x .04").
- BOS 910–housing with display screen. No battery compartment.
- BOS 911–housing with display screen. No battery compartment.
- BOS 912–housing with display screen and battery compartment for four AA batteries.
- BOS 913–housing with display screen and battery compartment for two 9V batteries.





Bos 500/501

External Dimensions: L120 x W60x H25 mm

Page 4-23

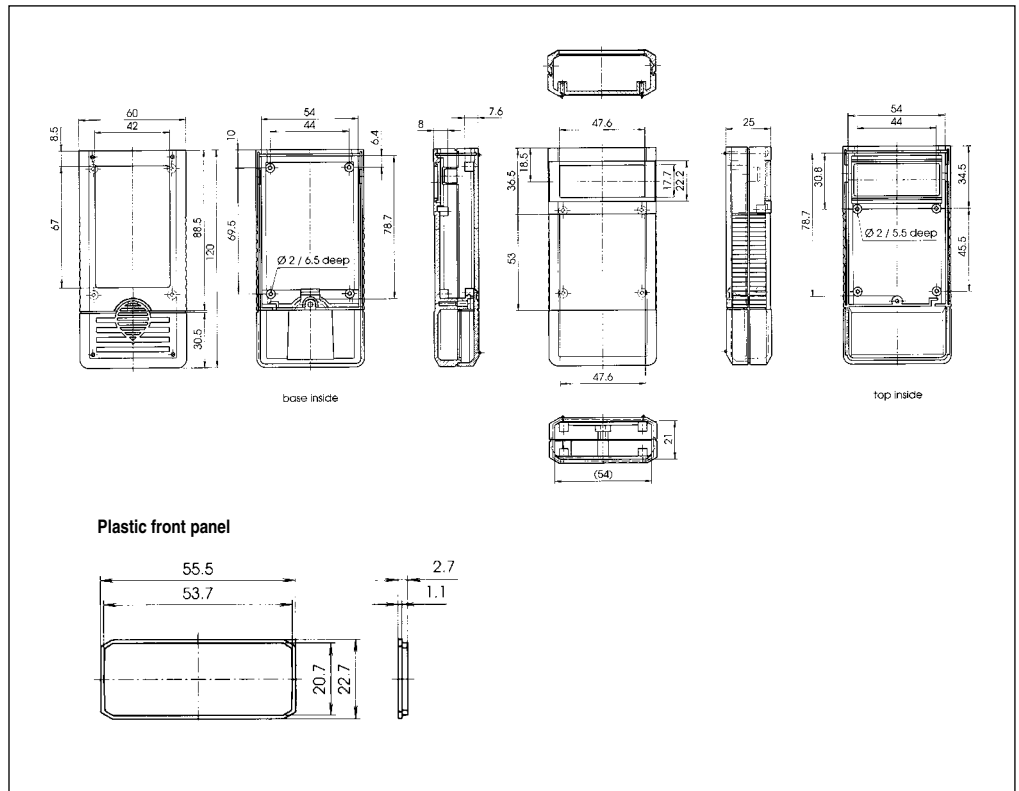
Standard Features

All housings have battery compartment at rear for one 9 V battery. Internal mounting bosses designed to accept 2mm self-tapping screws. Enclosures assemble with one screw. Keypad area: L53 x W47.6 x DØ.75mm

- **BOS 500/34500000** Black or gray, lid, base, plastic front panel, battery compartment lid, enclosure screw, panoramic display screen.
- **BOS 501/34501000** Black or gray, lid, base, plastic front panel, battery compartment lid, enclosure screw, display screen.

Accessories

- **FPI 500 BOS/34955006** Infrared-permissive front panel
- **34055000** Aluminum front panel
- **ASC 1/34090010** Belt clip, black.
- **59006190 00** Mounting boss screw.
- **UDS** Universal docking stations for BOS 500/501 are available on request.
- **Special feature:** Housings can be molded in other colors on request. Minimum order applies.



Bos 502/503

External Dimensions: L120 x W60x H25 mm

Page 4-23

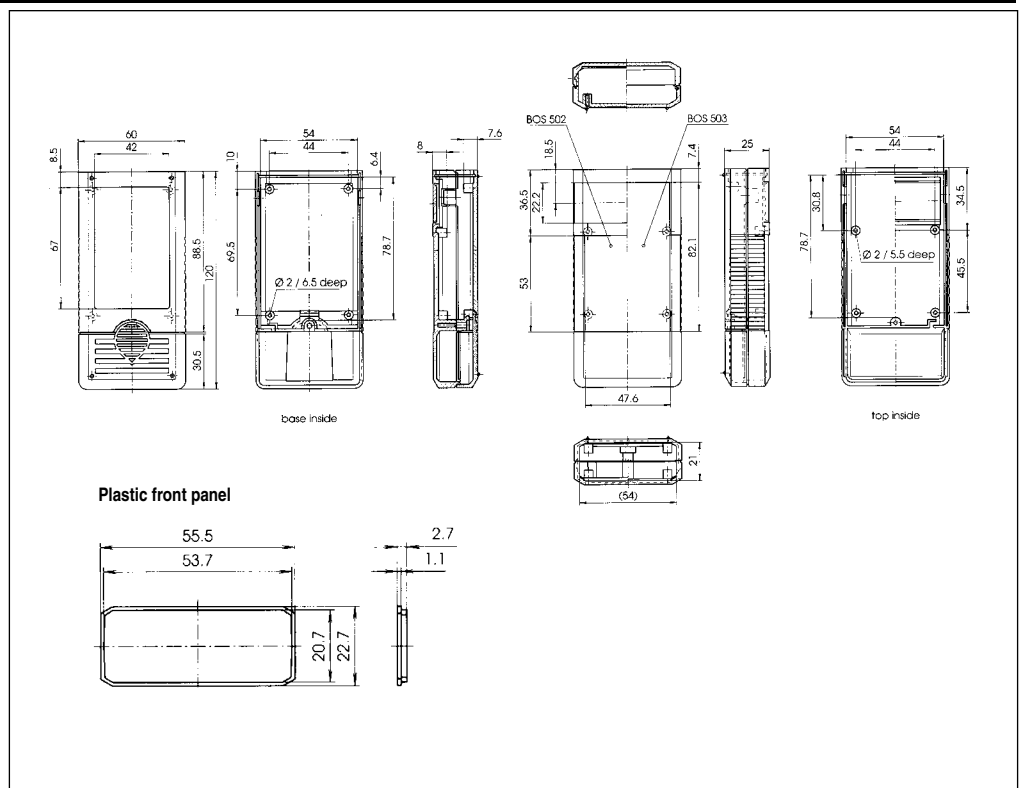
Standard Features

All housings have battery compartment at rear for one 9V battery. Internal mounting bosses designed to accept 2mm self-tapping screws. Enclosures assemble with one screw. Keypad area L53 x W47.6 x DØ.25mm.

- **BOS 502/34502000** Black or gray, lid, base, plastic front panel, battery compartment lid, enclosure screw. No display opening. Keypad area L53 x W47.6 x DØ.25mm.
- **BOS 503/34503000** Black or gray lid with enlarged keypad area, base, plastic front panel, battery compartment lid, enclosure screw. No display opening. Keypad area L82.1 x W47.6 x D1mm.

Accessories

- **FPI 500 BOS/34955006** Infrared-permissive front panel
- **34055000** Aluminum front panel
- **ASC 1/34090010** Belt clip, black.
- **59006190** Mounting boss screw.
- **UDS** Universal docking stations for BOS 502/503 are available on request.
- **Special feature:** Housings can be molded in other colors upon request. Minimum order applies.

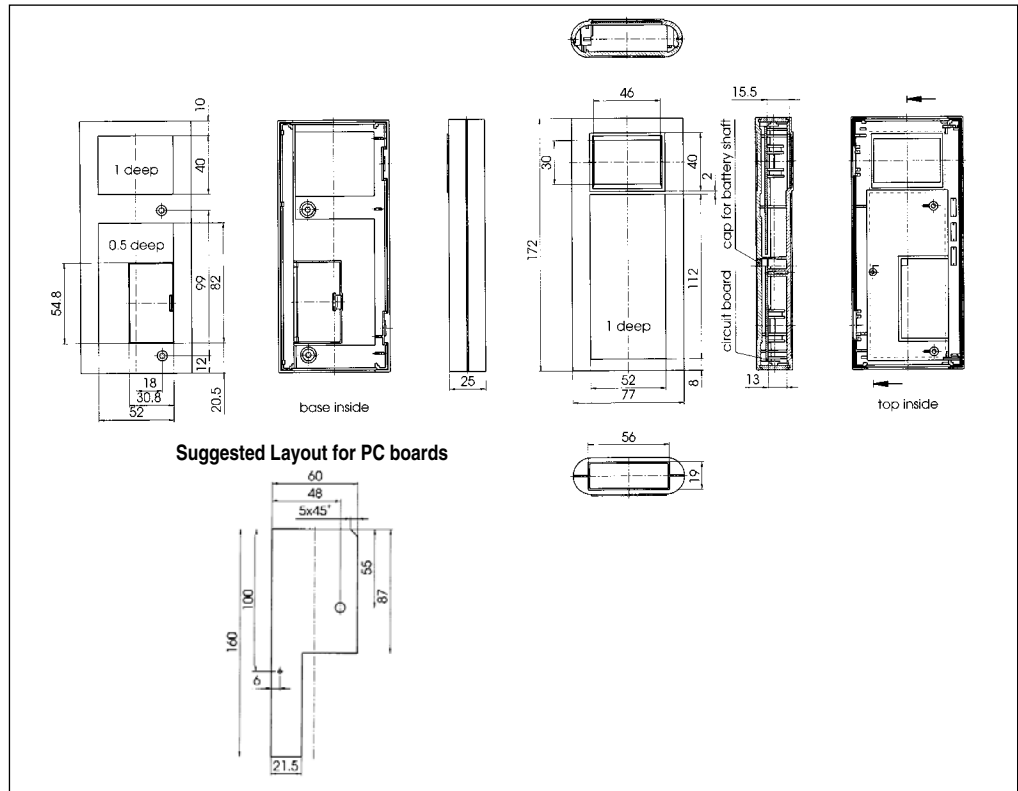


Bos 600/601

External Dimensions: L172 x W77x H25 mm

Page 4-24

Standard Features
Battery compartment houses one 9V battery. The built-in board is clamped several times between lid and base and attached with only one screw.
<ul style="list-style-type: none"> • BOS 600/34600000 Black, Lid, base, 2 plastic front panels, screws, battery compartment lid, and display screen. Keypad area: L52 x W112 x D1mm • BOS 601/34601000 Black, Lid, base, 2 plastic front panels, enlarged keypad area, screws, and battery compartment lid. No display opening. Keypad area: L52 x W154 x D1mm.
Accessories
<ul style="list-style-type: none"> • ASC 1/34090010 Belt clip, black.

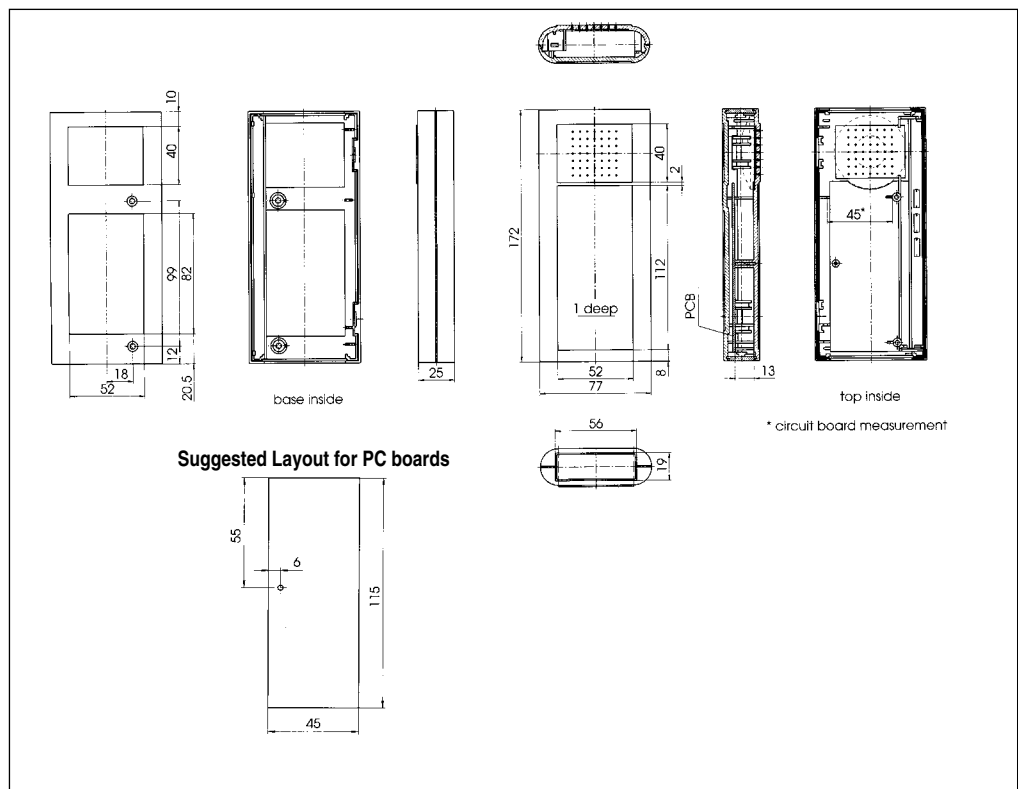


Bos 602

External Dimensions: L172 x W77x H25 mm

Page 4-24

Standard Features
The built-in board is clamped several times between lid and base and attached with only one screw. The battery compartment, with space for three AA batteries, can only be accessed by opening the enclosure. Keypad area: L52 x W112 x D1mm
<ul style="list-style-type: none"> • BOS 602/34602000 Black, lid with speaker holes, base, 2 plastic front panels, screws, battery compartment.
Accessories
<ul style="list-style-type: none"> • ASC 1/34090010 Belt clip, black.





Bos 700/701

External Dimensions: L150 x W80x H30 mm

Page 4-24

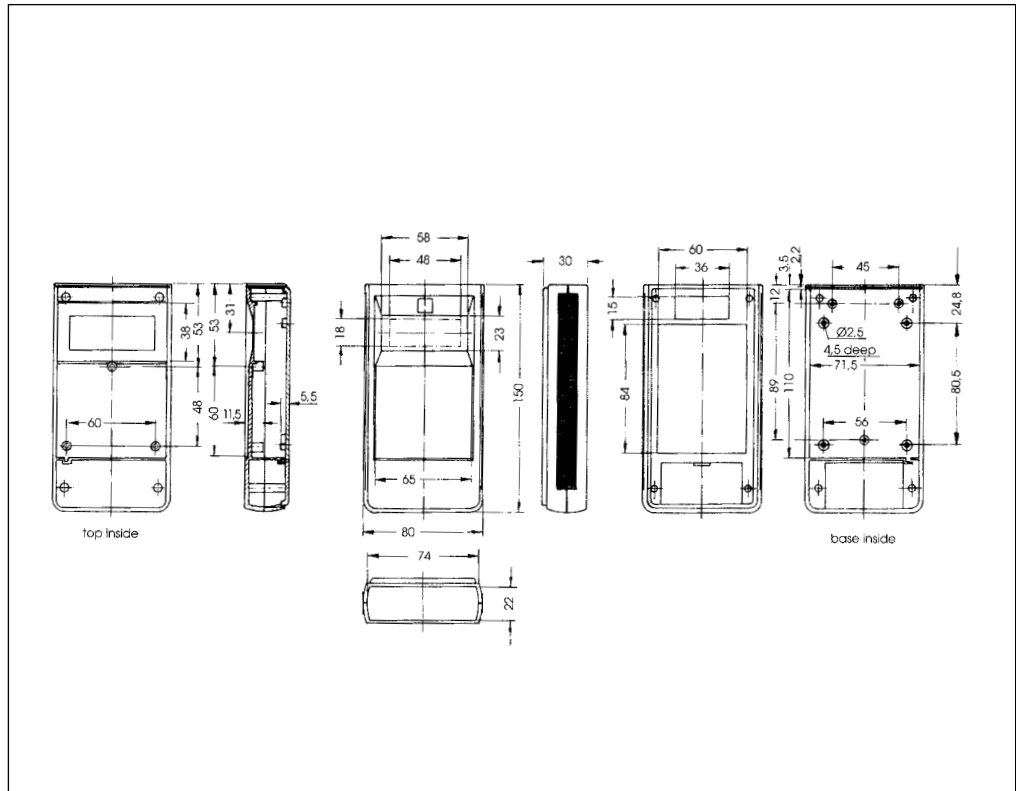
Standard Features

Mounting bosses for M2 threaded inserts are provided inside lid and base part; additional bosses for self-tapping screws inside base. All housings have battery compartment at rear for one 9V battery.

- **BOS 700/34700000** Black, lid, base, plastic front panel, battery compartment lid, screws, threaded inserts, and display opening 23 x 58 mm (.91" x 2.28"). Keypad area: L65 x W60 x D0.5mm.
- **BOS 701/34701000** Black, lid, base, plastic front panel, battery compartment lid, screws, threaded inserts, and display opening 18 x 48mm (1.89" x .71"). Keypad area: L65 x W60 x D0.5mm.

Accessories

- **CW 701 BOS/26000800** PVC display screen, 1mm
- **ASC 1/34090010** Belt clip, black.
- **UDS** Universal docking stations for BOS 700/701 are available on request.
- **59006219** Mounting boss screw M3x6 self-tapping.



Bos 704/705

External Dimensions: L150 x W80x H30 mm

Page 4-24

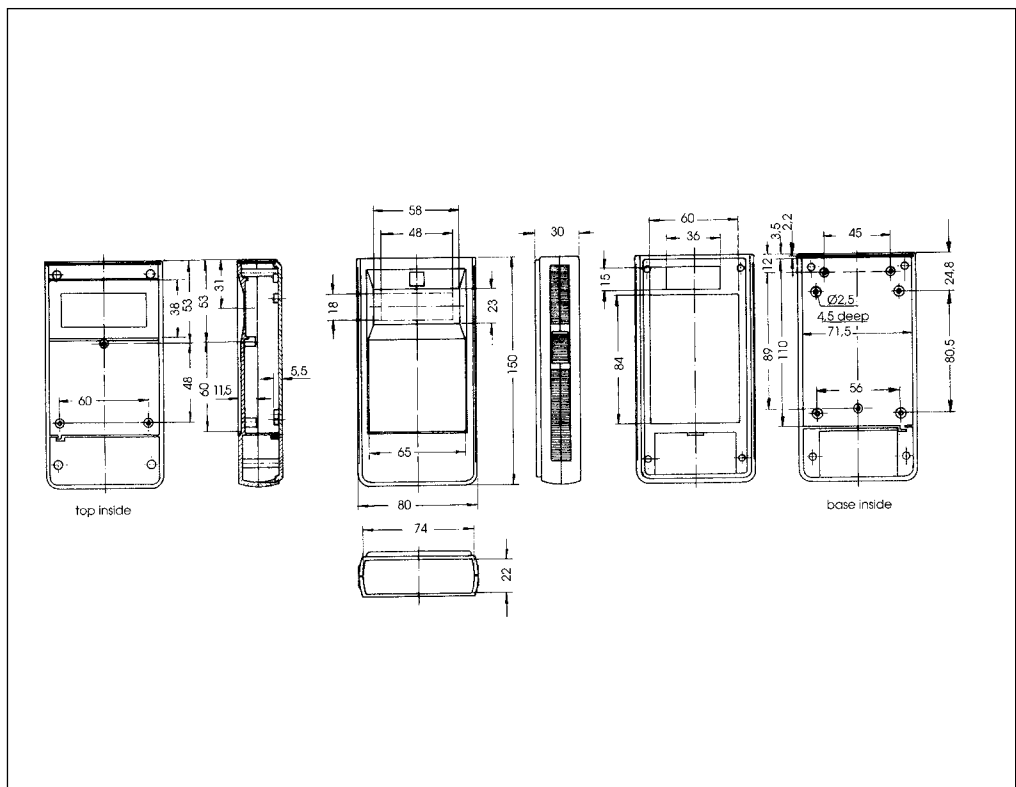
Standard Features

Mounting bosses for M2 threaded inserts are provided inside lid and base; additional bosses for self-tapping screws inside base. All housings have battery compartment at rear for one 9V battery.

- **BOS 704/34704000** Black, lid, base, plastic front panel, battery compartment lid, screws, threaded inserts, with slide for switches. Keypad area: L65 x W60 x D0.5mm. Display opening: 23 x 58mm (.91" x 2.28").
- **BOS 705/34705000** Black, lid, base, plastic front panel, battery compartment lid, screws, threaded inserts, with slide for switches. Keypad area: L65 x W60 x D0.5mm. Display opening: 18 x 48mm (.71" x 1.89").

Accessories

- **CW 701 BOS/26000800** PVC display screen, 1mm
- **ASC 1/34090010** Belt clip, black.
- **UDS** Universal docking stations for BOS 704/705 are available on request.
- **59006219** Mounting boss screw M3x6 self-tapping.



Bos 750/751/752

External Dimensions: L157 x W84x H30 mm

Page 4-25

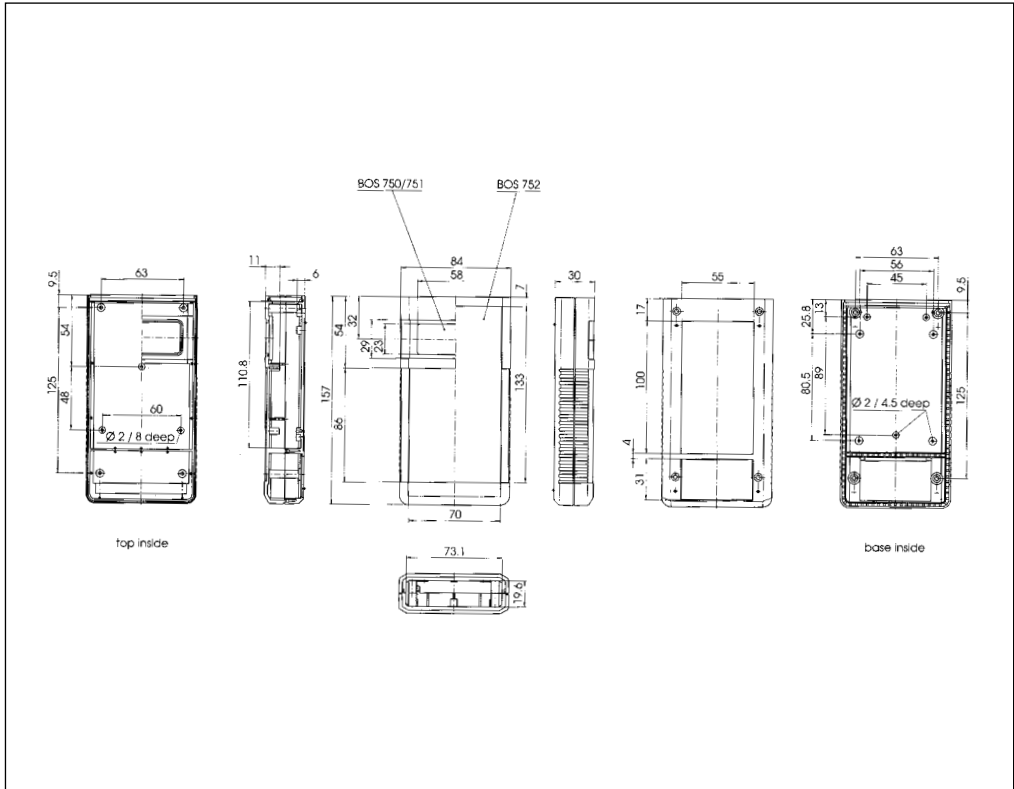
Standard Features

Battery compartment houses one 9V battery. Internal mounting bosses designed to accept 2mm self-tapping screws.

- **BOS 750/34750000** Black or Gray, lid, base, plastic front panel, battery compartment lid, screws, and panoramic display screen.
Keypad area: L70 x W86 x D1mm
- **BOS 751/34751000** Black or Gray, lid, base, plastic front panel, battery compartment lid, screws, and display screen.
Keypad area: L70 x W86 x D1mm
- **BOS 752/34752000** Black or Gray, lid with enlarged keypad area, base, plastic front panel, battery compartment lid, screws. No display screen.
Keypad area: L70 x W133 x D1mm

Accessories

- **ASC 1/34090010** Belt clip, black.
- **UDS** Universal docking stations for BOS 750/751/752 are available on request.
- **Special Feature:** Housings can be molded in other colors upon request. Minimum order applies.
- **59006190** Mounting boss screw M2.5x6 self-tapping.



Bos 753/754/755

External Dimensions: L157 x W84x H30 mm

Page 4-25

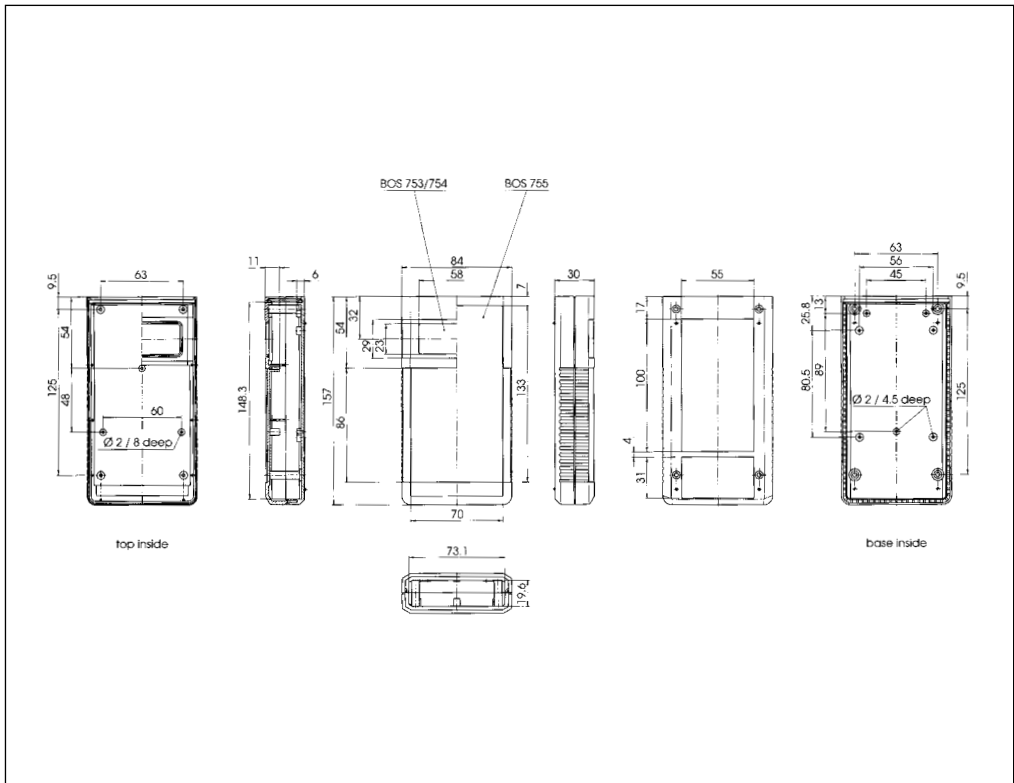
Standard Features

BOS 753/754/755 do not have battery compartments. Internal mounting bosses designed to accept 2mm self-tapping screws.

- **BOS 753/34753000** Black, lid, base, plastic front panel, screws, and panoramic display screen.
Keypad area: L70 x W86 x D1mm
- **BOS 754/34754000** Black or Gray, lid, base, plastic front panel, screws, and display screen.
Keypad area: L70 x W86 x D1mm
- **BOS 755/34755000** Black or Gray, lid with enlarged keypad area, base, plastic front panel, screws. No display opening.
Keypad area: L70 x W133 x D1mm

Accessories

- **ASC 1/34090010** Belt clip, black.
- **UDS** Universal docking stations for BOS 753/754/755 are available on request.
- **Special Features:** Housings can be molded in other colors on request. Minimum order applies.
- **59006190** Mounting boss screw M2.5x6 self-tapping.





Bos 756/757/758

External Dimensions: L157 x W84x H30 mm

Page 4-25

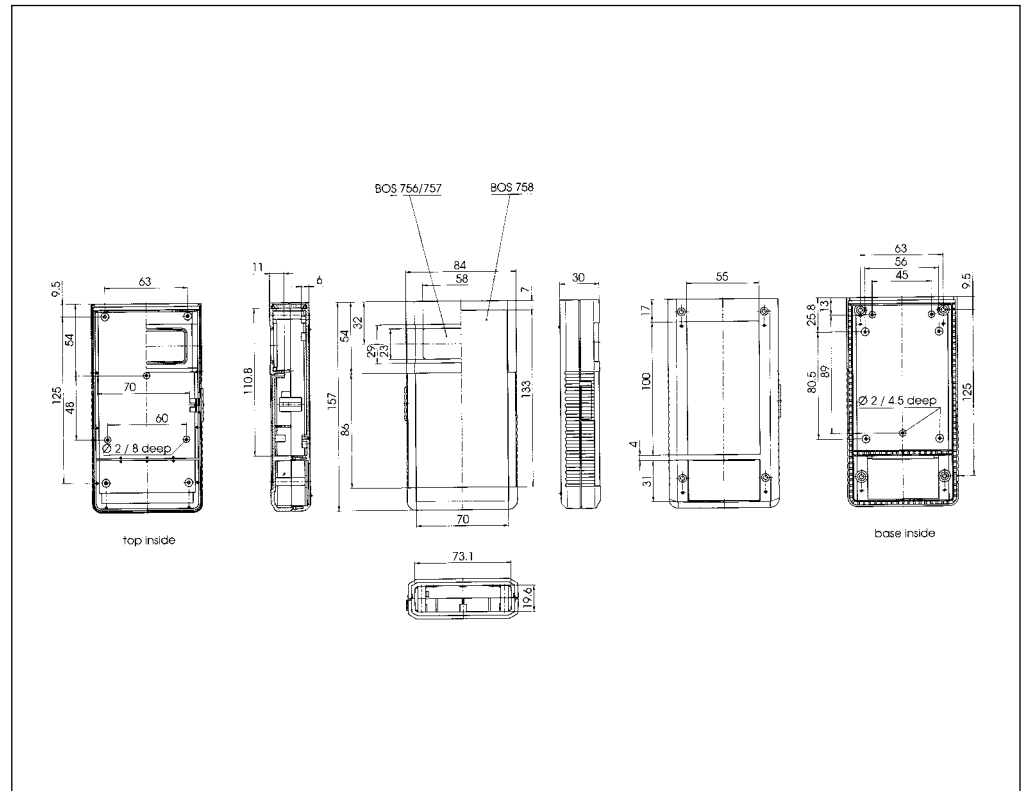
Standard Features

Each BOS 756/757/758 enclosure features a battery compartment that houses one 9V battery. Internal mounting bosses designed to accept 2mm self-tapping screws.

- **BOS 756/34756000** Black, lid, base, plastic front panel, battery compartment, battery compartment lid, screws, panoramic display screen, and slide for switches.
Keypad area: L70 x W86 x D1mm
- **BOS 757/34750000** Black, lid, base, plastic front panel, battery compartment, battery compartment lid, screws, display screen, and slide for switches.
Keypad area: L70 x W86 x D1mm
- **BOS 758/34758000** Black, lid with enlarged keypad area, base, plastic front panel, battery compartment, battery compartment lid, screws, and slide for switch es. No display screen.
Keypad area: L70 x W133x D1mm

Accessories

- **ASC 1/34090010** Belt clip, black.
- **UDS** Universal docking stations for BOS 756/757/758 are available on request.
- **Special Features:** The slide on the side can operate a flip or sliding switch. Housings can be molded in other colors on request. Minimum order applies.
- **59006190** Mounting boss screw M2.5x6 self-tapping.



Bos 759/760/761

External Dimensions: L157 x W84x H30 mm

Page 4-9

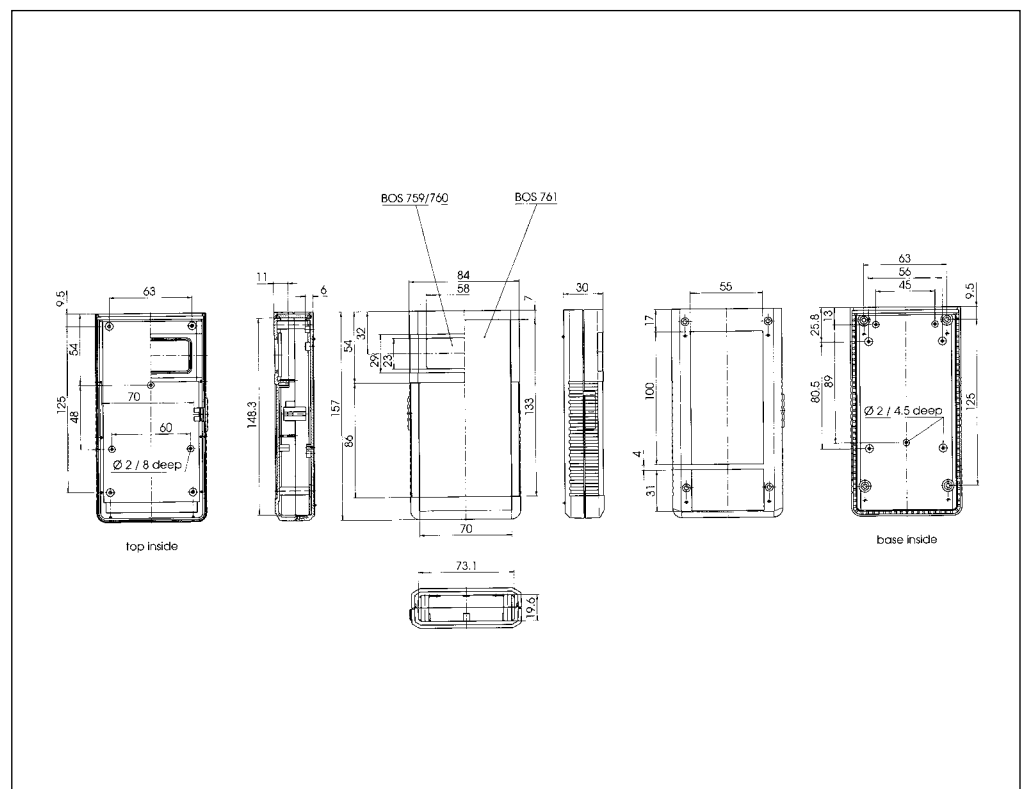
Standard Features

Internal mounting bosses designed to accept 2mm self-tapping screws.

- **BOS 759/34759000** Black, lid, base, plastic front panel, battery compartment lid, screws, panoramic display screen, and slide for switches. No battery compartment.
Keypad area: L70 x W86 x D1mm
- **BOS 760/34760000** Black, lid, base, plastic front panel, battery compartment lid, screws, display screen, and slide for switches. No battery compartment.
Keypad area: L70 x W86 x D1mm
- **BOS 761/34761000** Black, lid with enlarged keypad area, base, plastic front panel, battery compartment lid, screws, and slide for switches. No battery compartment or display screen.
Keypad area: L70 x W133 x D1mm

Accessories

- **ASC 1/34090010** Belt clip, black.
- **UDS** Universal docking stations for BOS 759/760/761 are available on request.
- **Special features:** The slide on the side can operate a flip or sliding switch. Housings can be molded in other colors on request. Minimum order applies.
- **59006190** Mounting boss screw M2.5x6 self-tapping.



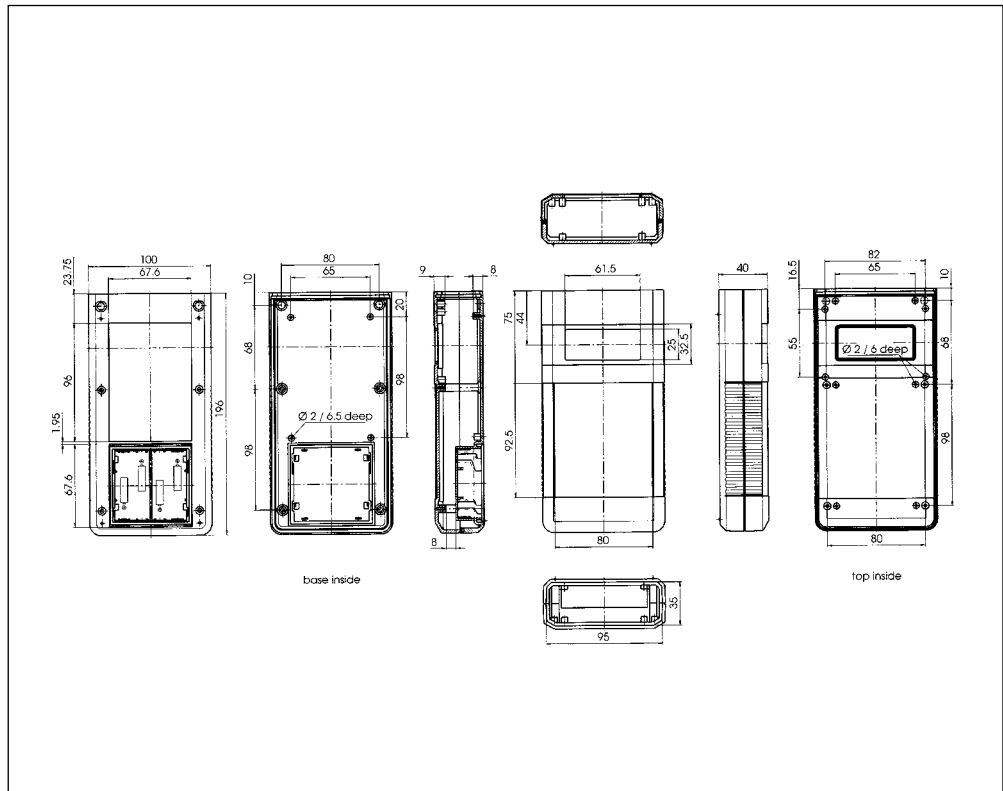
Dimensional Drawings

Bos 800/801/802

External Dimensions: L196 x W100x H40 mm

Page 4-26

Standard Features
Battery compartment houses four AA batteries or two 9V block batteries. Internal mounting bosses designed to accept 2mm self-tapping screws.
<ul style="list-style-type: none"> • BOS 800/34800000 Black or gray, lid, base, plastic front panel, screws, battery compartment, battery compartment lid, contacts, and panoramic display screen. Keypad area: L80 x W92.5 x D1mm • BOS 801/34801000 Black or gray, lid, base, plastic front panel, screws, battery compartment, battery compartment lid, contacts, and display screen. Keypad area: L80 x W92.5 x D1mm • BOS 802/34802000 Black or gray, lid, base, plastic front panel, screws, battery compartment, battery compartment lid, and contacts. No display screen. Keypad area: L80 x W92.5 x D0.25mm
Accessories
<ul style="list-style-type: none"> • ASC 1/34090010 Belt clip, black. • UDS Universal docking stations for BOS 800/801/802 are available on request. • Special Features: Housings can be molded in other colors upon request. Minimum order applies. • 59006190 Mounting boss screw M2.5x6 self-tapping.

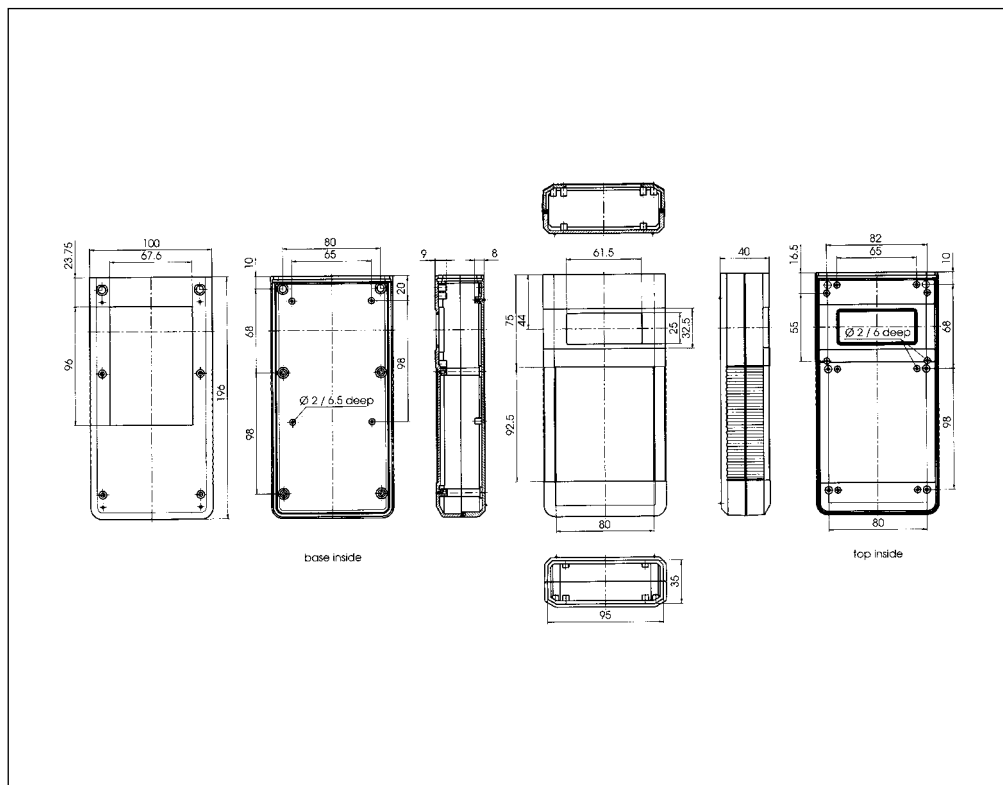


Bos 803/804/805

External Dimensions: L196 x W100x H40 mm

Page 4-26

Standard Features
Internal mounting bosses designed to accept 2mm self-tapping screws.
<ul style="list-style-type: none"> • BOS 803/34803000 Black or gray, lid, base, plastic front panel, screws, and panoramic display screen. No battery compartment. Keypad area: L80 x W92.5 x D1mm • BOS 804/34804000 Black or gray, lid, base, plastic front panel, screws, and flat display screen. No battery compartment. Keypad area: L80 x W92.5 x D1mm • BOS 805/34805000 Black or gray, lid, base, plastic front panel, and screws. No battery compartment or display screen. Keypad area: L80 x W92.5 x D0.25mm
Accessories
<ul style="list-style-type: none"> • ASC 1/34090010 Belt clip, black. • UDS Universal docking stations for BOS 803/804/805 are available on request. • Special Feature: Housings can be molded in other colors on request. Minimum order applies. • 59006190 Mounting boss screw M2.5x6 self-tapping.



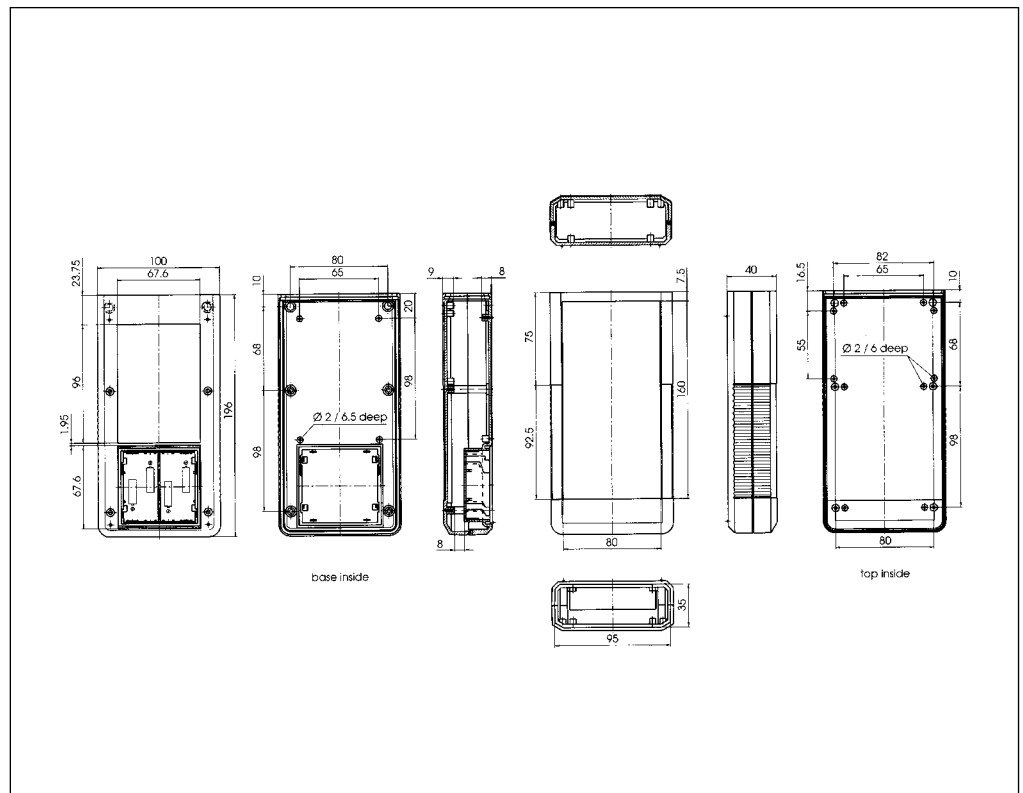


Bos 807/808

External Dimensions: L196 x W100x H40 mm

Page 4-26

Standard Features
Internal mounting bosses designed to accept 2mm self-tapping screws.
<ul style="list-style-type: none"> BOS 807/34807000 Black or Gray, lid with enlarged keypad area, base, plastic front panel, screws, battery compartment (space for four AA batteries), battery compartment lid, and contacts. No display screen. Convertible to UDS. Keypad area: L80 x W160 x D1mm BOS 808/34808000 Black or Gray, lid with enlarged keypad area, base, plastic front panel, screws, battery compartment lid, and battery contacts. No display screen or battery compartment. Convertible to UDS. Keypad area: L80 x W160 x D1mm
Accessories
<ul style="list-style-type: none"> ASC 1/34090010 Belt clip, black. UDS Universal docking stations for BOS 807/808 are available upon request. Special Feature: Housings can be molded in other colors on request. Minimum order applies. 59006190 Mounting boss screw M2.5x6 self-tapping.

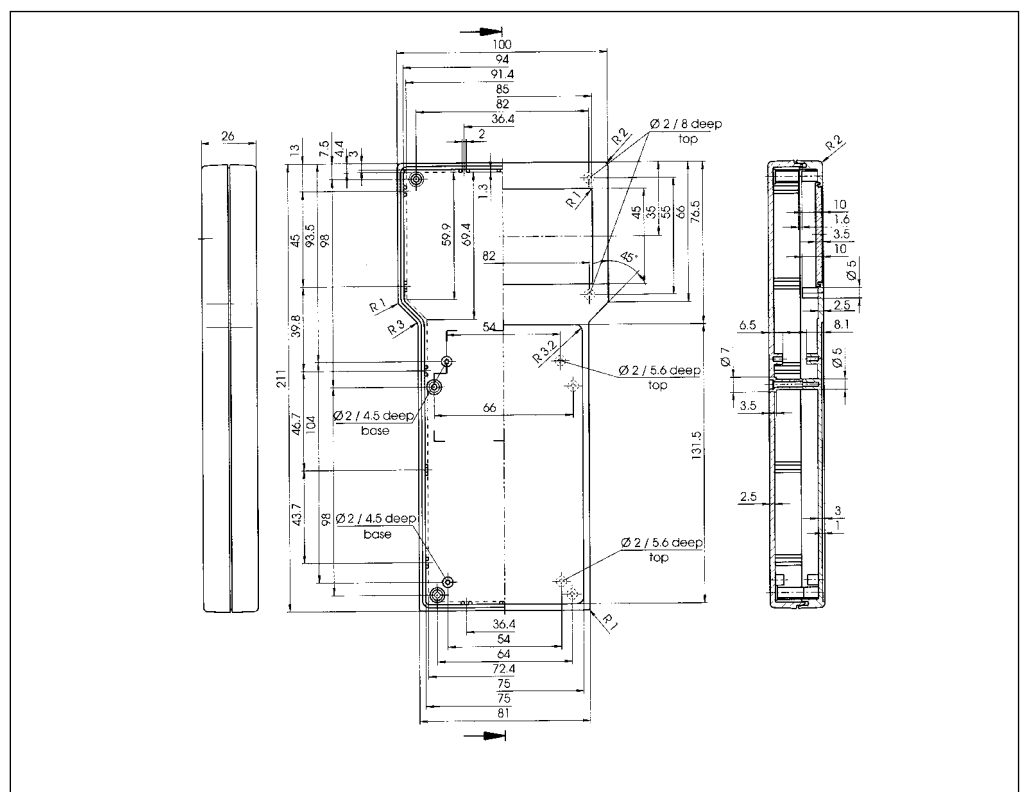


Bos 900

External Dimensions: L211 x W100x H26 mm

Page 4-27

Standard Features
BOS 900 can achieve an IP 65 protection rating by using the glued-in display screen and seal. Display screens are suitable for printing.
<ul style="list-style-type: none"> BOS 900/34900000 Black or Gray, lid with seal, base, self-tapping screws, and display screen (not installed). No battery compartment or carrying strap. Keypad area: L75 x H131.5 x D1mm Display area: L85 x H45 x D1mm 16 characters x 4 lines
Accessories
<ul style="list-style-type: none"> STD 900/34900029 Table Stand, gray. ZP 900/34900909 Intermediate frame, 10mm, gray. ASC 1/34090010 Belt clip, black. UDS Universal docking stations for BOS 900 are available on request. 59006190 Mounting boss screw M2.5x6 self-tapping.



Dimensional Drawings

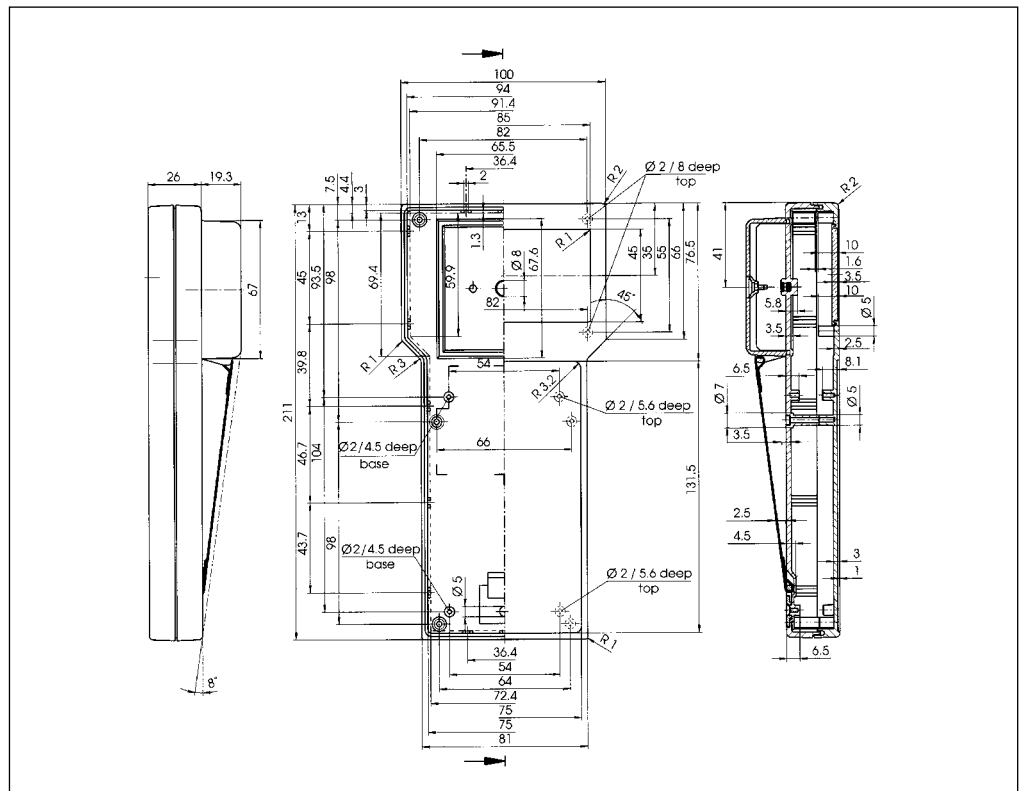


Bos 903

External Dimensions: L211 x W100x H40 mm

Page 4-27

Standard Features
Battery compartment houses two 9V batteries. BOS 903 can achieve an IP 65 protection rating by using the glued-in display screen and seal. Display screens are suitable for printing.
<ul style="list-style-type: none"> • BOS 903/34903009 Black or Gray, lid with seal, base with battery compartment, display screen (not installed), carrying strap, and self-tapping screws. Keypad area: L75 x H131.5 x D1mm Display area: L85 x H45 x D1mm 16 characters x 4 lines
Accessories
<ul style="list-style-type: none"> • STD 900/34900029 Table Stand, Gray. • ZR 900/34900909 Intermediate frame, 10mm, Gray. ZR 900 formerly EXP 900. • ASC 1/34090010 Belt clip, Black. • 59006190 Mounting boss screw M2.5x6 self-tapping.

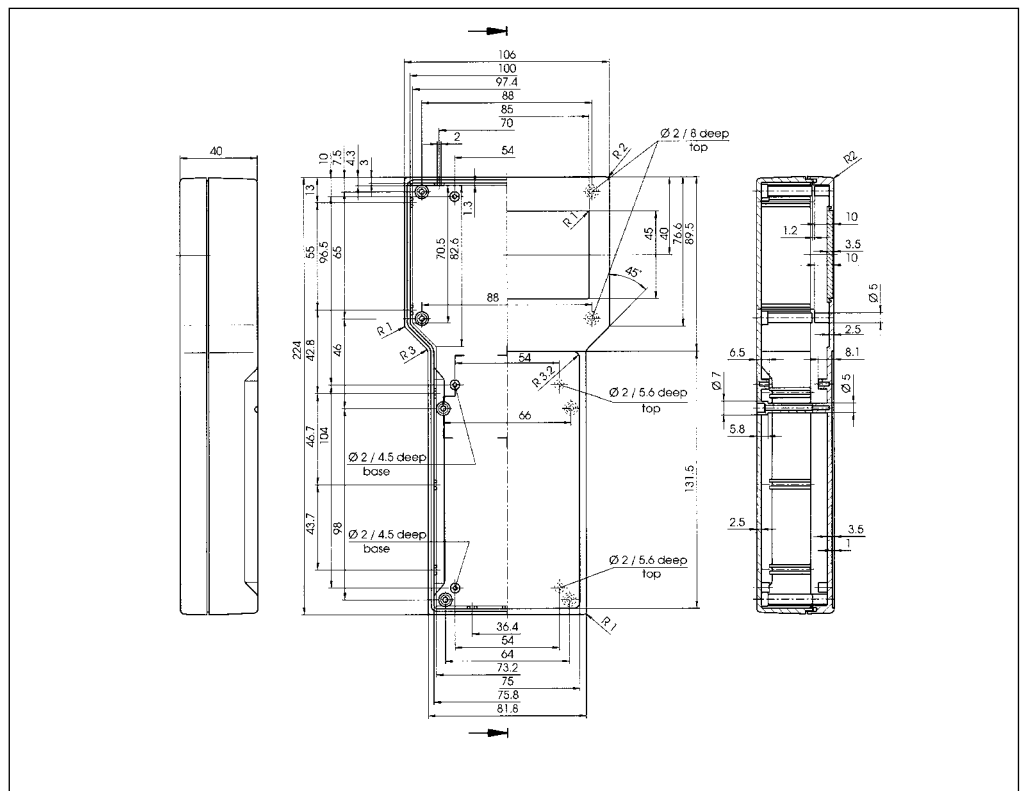


Bos 910

External Dimensions: L224 x W106x H40 mm

Page 4-27

Standard Features
BOS 910 can achieve an IP 65 protection rating by using the glued-in display screen and seal. Display screens are suitable for printing.
<ul style="list-style-type: none"> • BOS 910/34910009 Black or Gray, lid with seal, base, display screen (not installed), and self-tapping screws. No battery compartment. Keypad area: L75 x H131.5 x D1mm Display area: L85 x H45 x D1mm 128 x 64 dots
Accessories
<ul style="list-style-type: none"> • STD 900/34900029 Table Stand, Gray. • ADS 910-I / 34913001 Adapter for graphic-type displays, 28 x 64 dots, 77 x 60 mm. • ADS 910-II / 34913002 Adapter for graphic-type displays, 128 x 64 dots, 68 x 64.92 mm. • ADS 910-III / 34913003 Adapter for display, 16 characters x 4 lines, 82 x 55 mm. • UDS Universal docking stations for BOS 910 are available on request. • 59006190 Mounting boss screw M2.5x6 self-tapping.



Dimensional Drawings



Bos 913

External Dimensions: L224 x W106 x H59 mm

Page 4-27

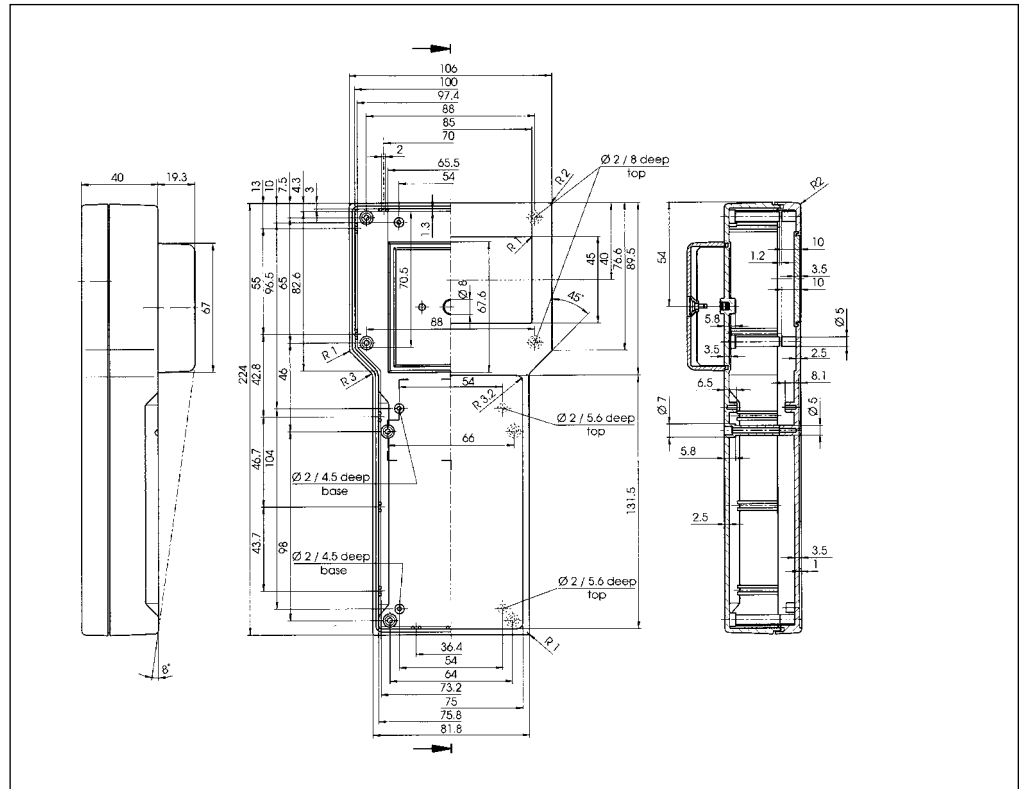
Standard Features

Battery compartment houses two 9V batteries.
BOS 913 can achieve an IP 65 protection rating by using the glued-in display screen and seal. Display screens are suitable for printing.

- **BOS 913/34913009** Black or Gray, lid with seal, base with battery compartment, display screen (not installed), and self-tapping screws. Keypad area: L75 x H131.5 x D1mm Display area: L85 x H45 x D1mm 128 x 64 dots

Accessories

- **STD 900/34900029** Table Stand, Gray.
- **ADS 910-I / 34913001** Adapter for graphic-type displays, 128 x 64 dots, 77 x 60 mm.
- **ADS 910-II / 34913002** Adapter for graphic-type displays, 128 x 64 dots, 68 x 64.92 mm.
- **ADS 910-III / 34913003** Adapter for display, 16 characters x 4 lines, 82 x 55 mm.
- **59006190** Mounting boss screw M2.5x6 self-tapping.



Bos 900 Accessories

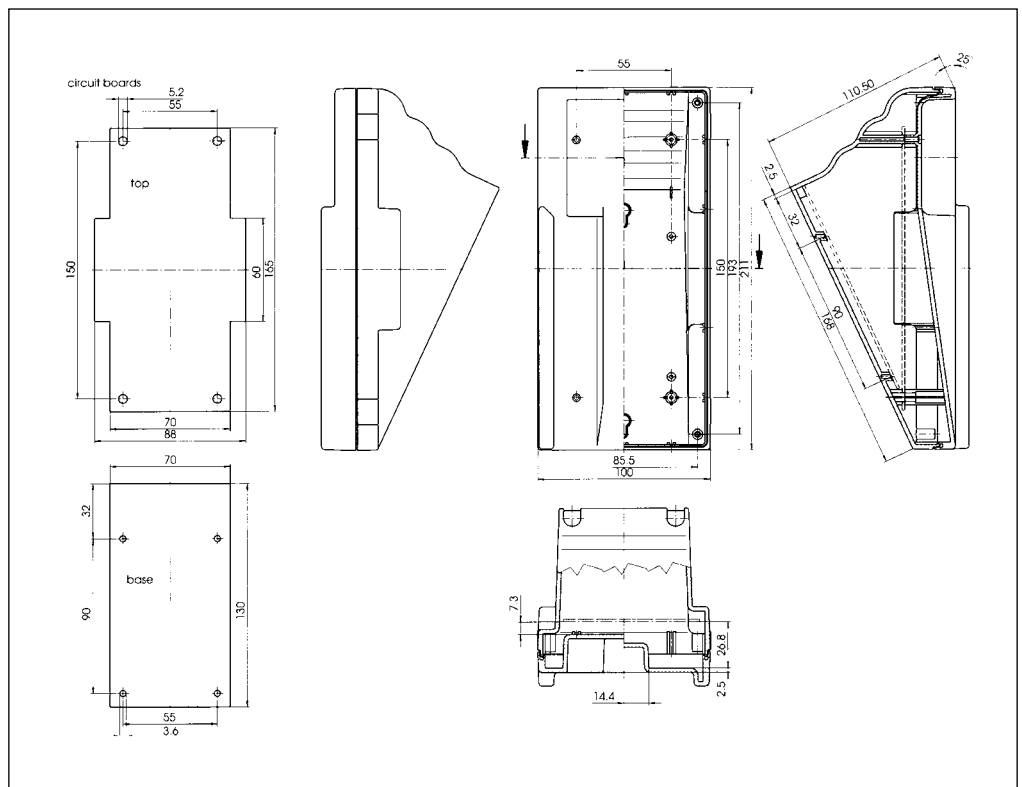
External Dimensions: L211 x W100 x H111 mm

Page 4-27

Accessories

Electronic PC boards can be attached on two levels, i.e. one parallel to the lid, one parallel to the base. The following variations can be created by turning the enclosure or the lid respectively: flat table position, angled table position, or as a wall-mount device. The STD 900 table stand is suitable for use as a unit stand, charging station, or data transfer unit. Designed as an accessory for BOS 900-903 and BOS 910-913.

- **STD 900/34900029** Table Stand--Black (special order), or Gray (standard color), lid, base, and self-tapping screws.



Dimensional Drawings

Bos 900 Accessories

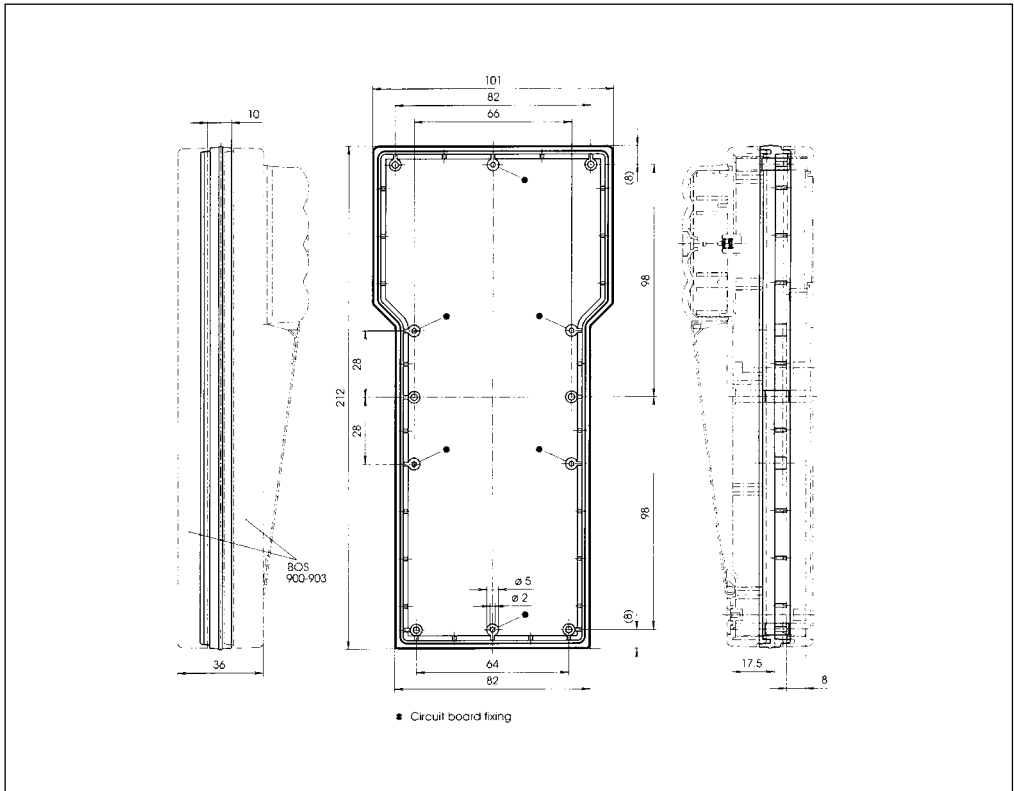
External Dimensions: L212 x W101 x H10 mm

Page 4-27

Accessories

The ZR 900 (formerly EXP 900) Intermediate frame can be used for all BOS 900-903 handheld enclosures and increases the height of these enclosures by 10mm. The intermediate frame also has bosses for attaching PC boards.

- **ZR 900/34900909** (formerly EXP 900) Black (special order) or Gray (standard color), intermediate frame, mounted gasket, 6 screws. Special screws can be ordered if two intermediate frames are to be used on the same enclosure.



Bos 910 Accessories

Page 4-27

Accessories

The ADS 910 Adapters for graphic-type displays are for use with BOS 910-913. Each set includes two plastic parts and four screws. Matching displays are available on request.

- **ADS 910-I / 34913001**
Adapter for graphic-type displays
128 x 64 dots
Display fitting dimensions: 77 x 60 mm
- **ADS 910-II / 34913002**
Adapter for graphic-type displays
128 x 64 dots
Display fitting dimensions: 68 x 64.92 mm
- **ADS 910-III / 34913003**
Adapter for display
16 characters, 4 lines
Display fitting dimensions: 82 x 55 mm

