

**BOS-Ecoline
Product Drawings
Last Updated 6/20/2006**



TECHNICAL DATA:

- Color: Profiles, clear anodized aluminum
End lids, dust gray, similar to RAL 7037.
Special colors and minimum order quantities on request.
- Material—Profile, Aluminum, Al Mg Si 0.5.
See Aluminum specifications in the Technical Information Chapter.
End lids, ABS plastic
- Protection Classifications:
IP 40, DIN EN 60529
IP54, when using seal (EL-DI) with 620, 840, 1050 and 1240
ELP type extrusions only.

The BOS-Ecoline enclosure system combines the custom sizing advantages of aluminium profiles with the cost effectiveness of

BOS-Ecoline

ABS plastic end lids to create a robust enclosure that can be used for a wide range of electronic applications. These clear anodized aluminium profiles are available in three different versions - closed, open on one side, or split profiles - in four profile width sizes from 57.5 mm to 120 mm. Profiles are equipped with integral guide grooves for PC Boards. Two ABS plastic end lids are available, with or without wall brackets. Profiles feature recessed areas for front membranes or membrane keypads. IP 40 rating is standard, but can be increased to IP 54 on ELP profiles with seals in the end caps. Seal kits and end lids are sold separately. Profiles are sold in meter lengths.

BOS-Ecoline Profiles				
Model #	Part #	Length (Inches/mm)	Width (Inches/mm)	Height (Inches/mm)
ELP 620-1000	83062000	39.37/1000	2.26 / 57.5	0.86 / 22
ELP 840-1000	83084000	39.37/1000	3.14 / . 80	1.65 / 42
ELP 1050-1000	83105000	39.37/1000	4.17 / 106	2.05 / 52
ELP 1240-1000	83124000	39.37/1000	4.72 / 120	1.65/ 42
ELPH 620-1000	83062000	39.37/1000	2.26 / 57.5	0.86 / 22
ELPH 840-1000	83084000	39.37/1000	3.14 / . 80	1.65 / 42
ELPH 1050-1000	83056000	39.37/1000	4.17 / 106	2.05 / 52
ELPH 1240-1000	83246000	39.37/1000	4.72 / 120	1.65/ 42
ELPU 620-1000	83626000	39.37/1000	2.26 / 57.5	0.86 / 22
ELPU 840-1000	83846000	39.37/1000	3.14 / . 80	1.65 / 42
ELPU 1050-1000	83057000	39.37/1000	4.17 / 106	2.05 / 52
ELPU 1240-1000	83247000	39.37/1000	4.72 / 120	1.65/ 42

ELP=Closed profile, ELPH=Horizontally split profile, ELPU=Extrusion open on one side
Note: Dimensions are external. Metric is the primary dimension.
Inch conversions are for the user's convenience and are for reference only.
All extrusions sold in 1 meter lengths.



ELP - Closed profile



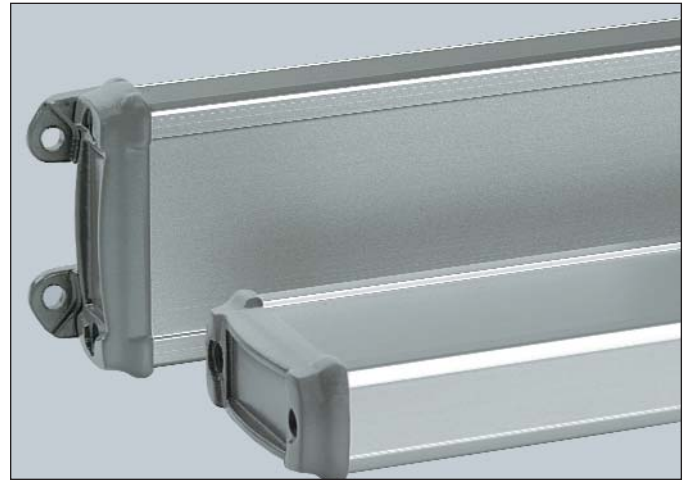
ELPH - Horizontally split profile



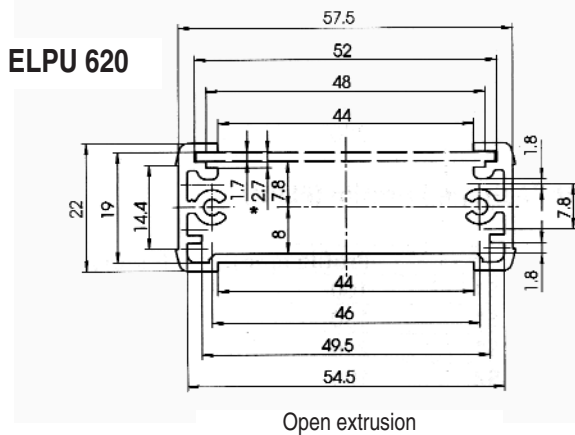
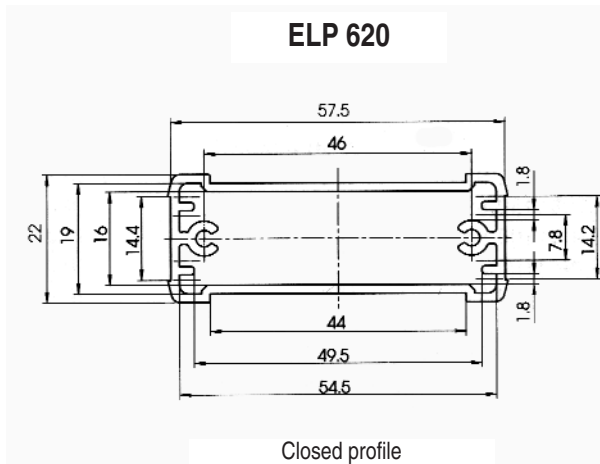
ELPU - Open on one side

BOS-Ecoline 620			
Model #	Part #	Type	Description
ELP 620-1000	83062000	Extrusion	Closed Extrusion only, clear anodized Aluminum (sold by the meter).
ELPH 620-1000	83626000	Extrusion	Horizontally Split Extrusion only, clear anodized Aluminum (sold by the meter).
ELPU 620-1000	83627000	Extrusion	Extrusion open on one side, clear anodized aluminum (sold by the meter).
Accessories			
Model #	Part #	Type	Description
ELD 620	83621000	Lid	End lid without wall mount, ABS plastic, gray, similar to RAL 7037
ELDW 620	83621100	Lid	End lid with wall mount, ABS plastic, gray, similar to RAL 7037
EL 620 DI	83206210	Gasket	Seal, black, 10 piece pack for ELP

ELP= Closed profile, ELPH= horizontally split profile
ELPU=Extrusion open on one side
Front panel drawing shown on page 3-37



Build-A-Box®



*Combination panels can be inserted into these slots, e.g. 1.5mm front panel and 1mm membrane keypad.



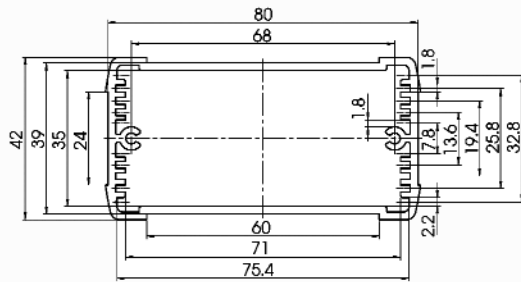
BOS-Ecoline 840			
Model #	Part #	Type	Description
ELP 840-1000	83084000	Extrusion	Closed Extrusion only, clear anodized Aluminum (sold by the meter).
ELPH 840-1000	83846000	Extrusion	Horizontally Split Extrusion only, clear anodized Aluminum (sold by the meter).
ELPU 840-1000	83847000	Extrusion	Extrusion open on one side, clear anodized aluminum (sold by the meter).
Accessories			
Model #	Part #	Type	Description
ELD 840	83841000	Lid	End lid without wall mount, ABS plastic, gray, similar to RAL 7037
ELDW 840	83841100	Lid	End lid with wall mount, ABS plastic, gray, similar to RAL 7037
EL 840 DI	83208410	Gasket	Seal, black, 10 piece pack for ELP

ELP= Closed profile, ELPH= horizontally split profile

ELPU=Extrusion open on one side

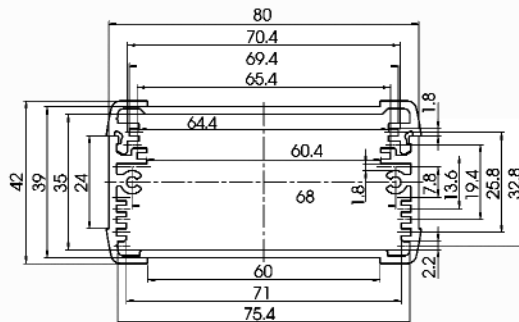
Front panel drawing shown on page 3-37

ELP 840



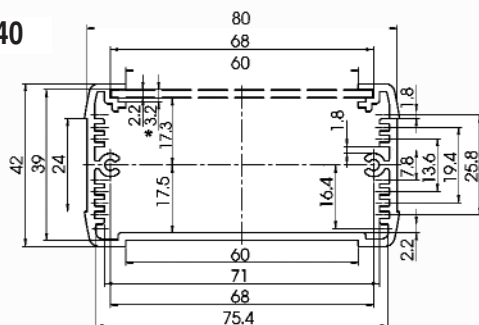
Closed profile

ELPH 840



Horizontally split profile

ELPU 840

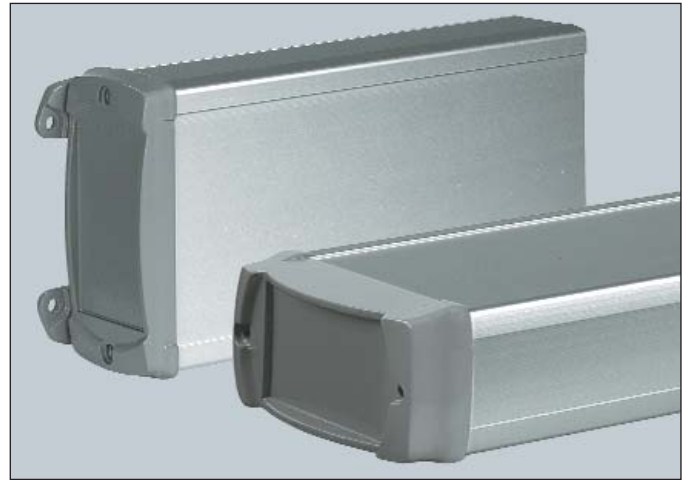


Open extrusion

*Combination panels can be inserted into these slots, e.g. 2mm front panel and 1mm membrane keypad.

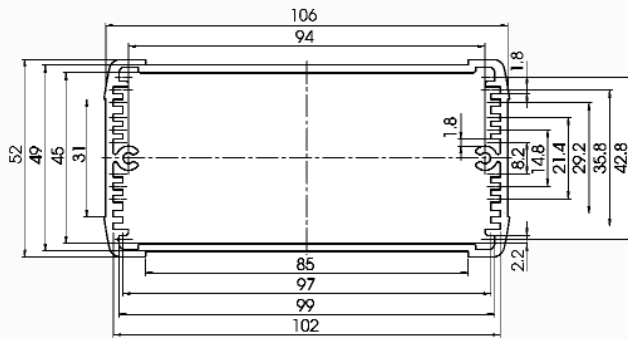
BOS-Ecoline 1050			
Model #	Part #	Type	Description
ELP 1050-1000	83105000	Extrusion	Closed Extrusion only, clear anodized Aluminum (sold by the meter).
ELPH 1050-1000	83056000	Extrusion	Horizontally Split Extrusion only, clear anodized Aluminum (sold by the meter).
ELPU 1050-1000	83057000	Extrusion	Extrusion open on one side, clear anodized aluminum (sold by the meter).
Accessories			
Model #	Part #	Type	Description
ELD 1050	83051000	Lid	End lid without wall mount, ABS plastic, gray, similar to RAL 7037
ELDW 1050	83051100	Lid	End lid with wall mount, ABS plastic, gray, similar to RAL 7037
EL 1050 DI	83210510	Gasket	Seal, black, 10 piece pack for ELP

ELP= Closed profile, ELPH= horizontally split profile
ELPU=Extrusion open on one side
Front panel drawing shown on page 3-38



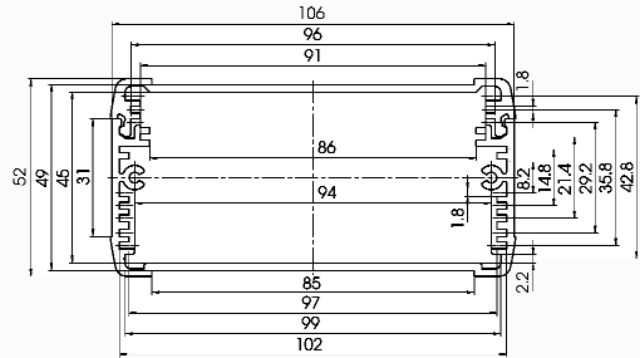
Build-A-Box®

ELP 1050

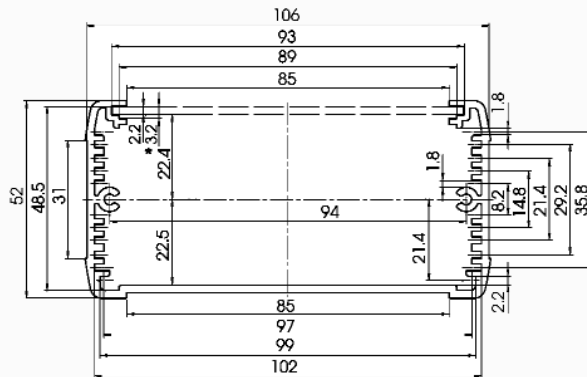


Closed profile

ELPH 1050



Horizontally split profile



ELPU 1050

Open extrusion

*Combination panels can be inserted into these slots, e.g. 2mm front panel and 1mm membrane keypad.

Build-A-Box®



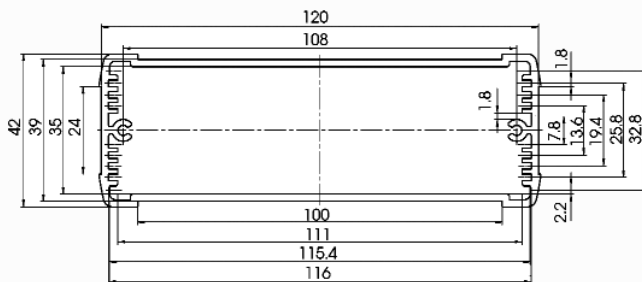
BOS-Ecoline 1240			
Model #	Part #	Type	Description
ELP 1240-1000	83124000	Extrusion	Closed Extrusion only, clear anodized Aluminum (sold by the meter).
ELPH 1240-1000	83246000	Extrusion	Horizontally Split Extrusion only, clear anodized Aluminum (sold by the meter).
ELPU 1240-1000	83247000	Extrusion	Extrusion open on one side, clear anodized aluminum (sold by the meter).
Accessories			
Model #	Part #	Type	Description
ELD 1240	83241000	Lid	End lid without wall mount, ABS plastic, gray, similar to RAL 7037
ELDW 1240	83241100	Lid	End lid with wall mount, ABS plastic, gray, similar to RAL 7037
EL 1240 DI	83212410	Gasket	Seal, black, 10 piece pack for ELP

ELP= Closed profile, ELPH= horizontally split profile

ELPU=Extrusion open on one side

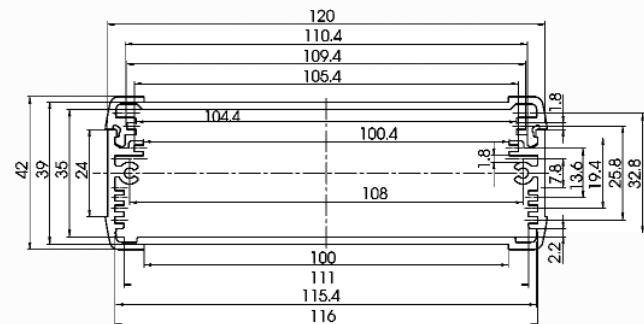
Front panel drawing shown on page 3-38

ELP 1240

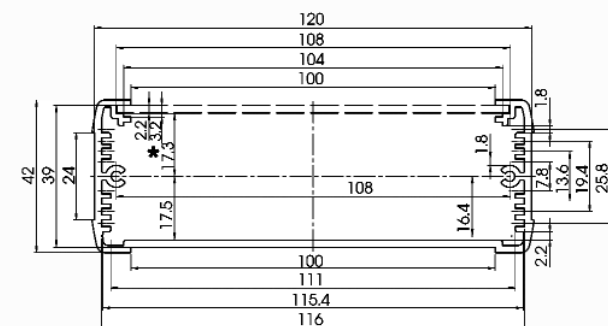


Closed profile

ELPH 1240



Horizontally split profile

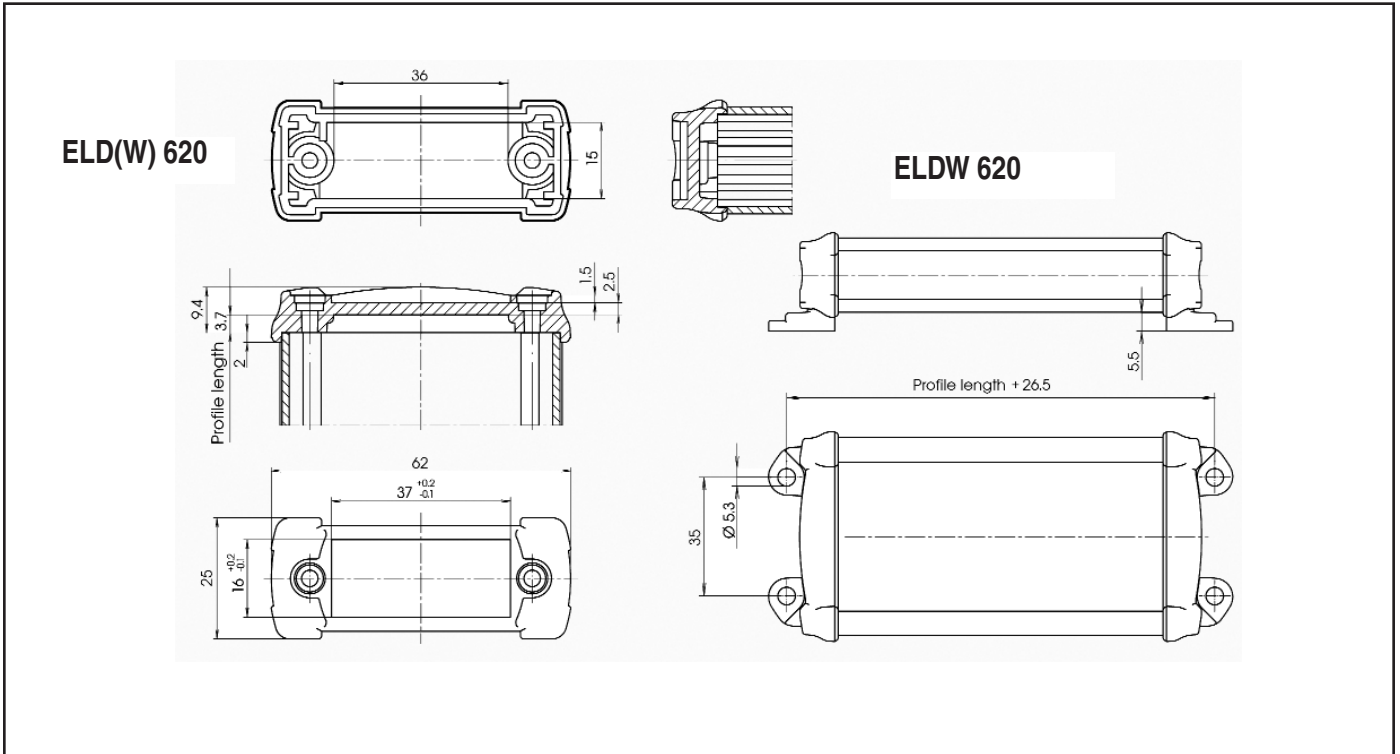


Open extrusion

ELPU 1240

*Combination panels can be inserted into these slots, e.g. 2mm front panel and 1mm membrane keypad.

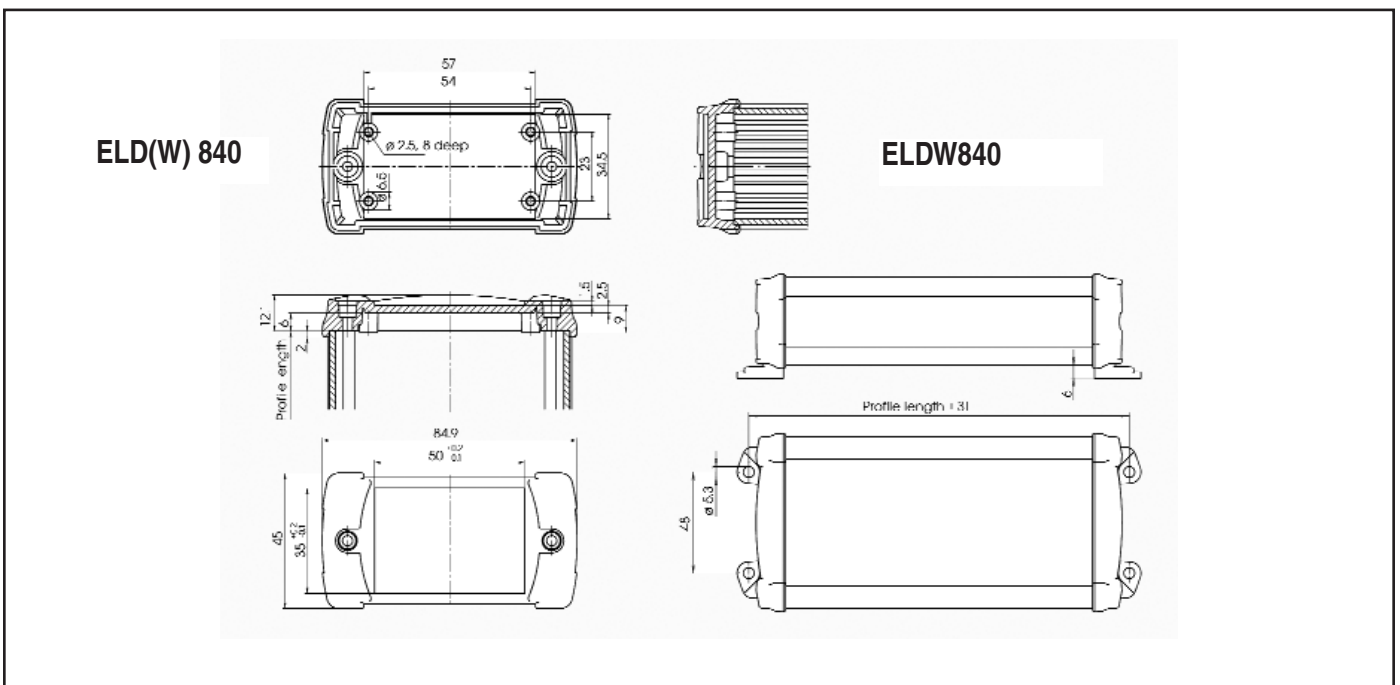
End Lid



D=Front panel without wall bracket, DW=Front panel with wall bracket

Build-A-Box®

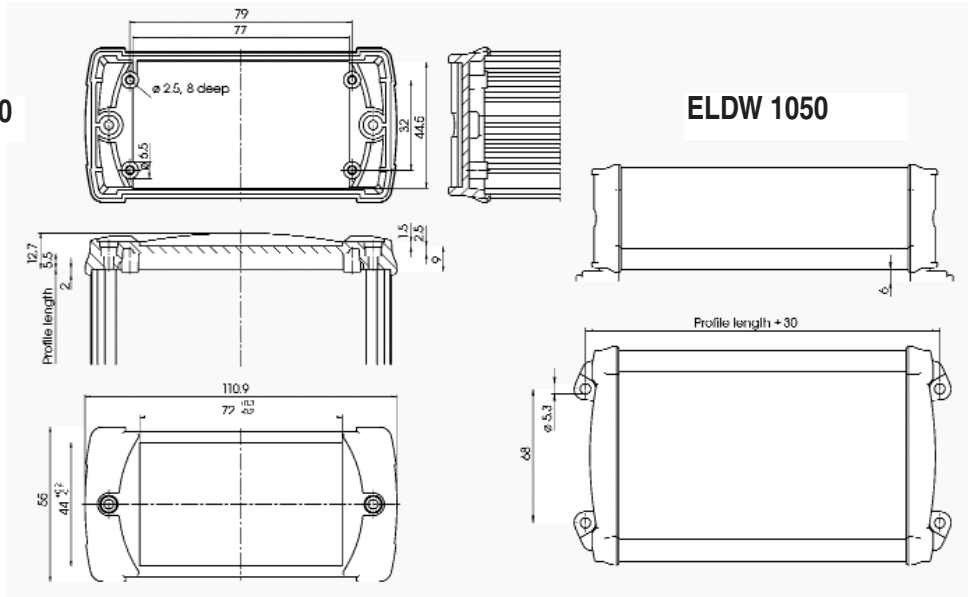
End Lid



D=Front panel without wall bracket, DW=Front panel with wall bracket

End Lid

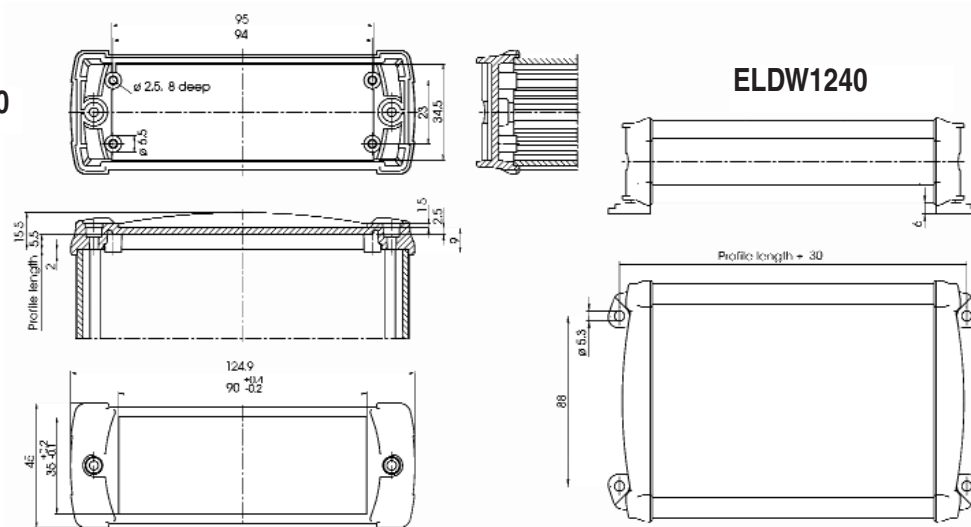
ELD(W) 1050



D=Front panel without wall bracket, DW=Front panel with wall bracket

End Lid

ELD(W) 1240



D=Front panel without wall bracket, DW=Front panel with wall bracket