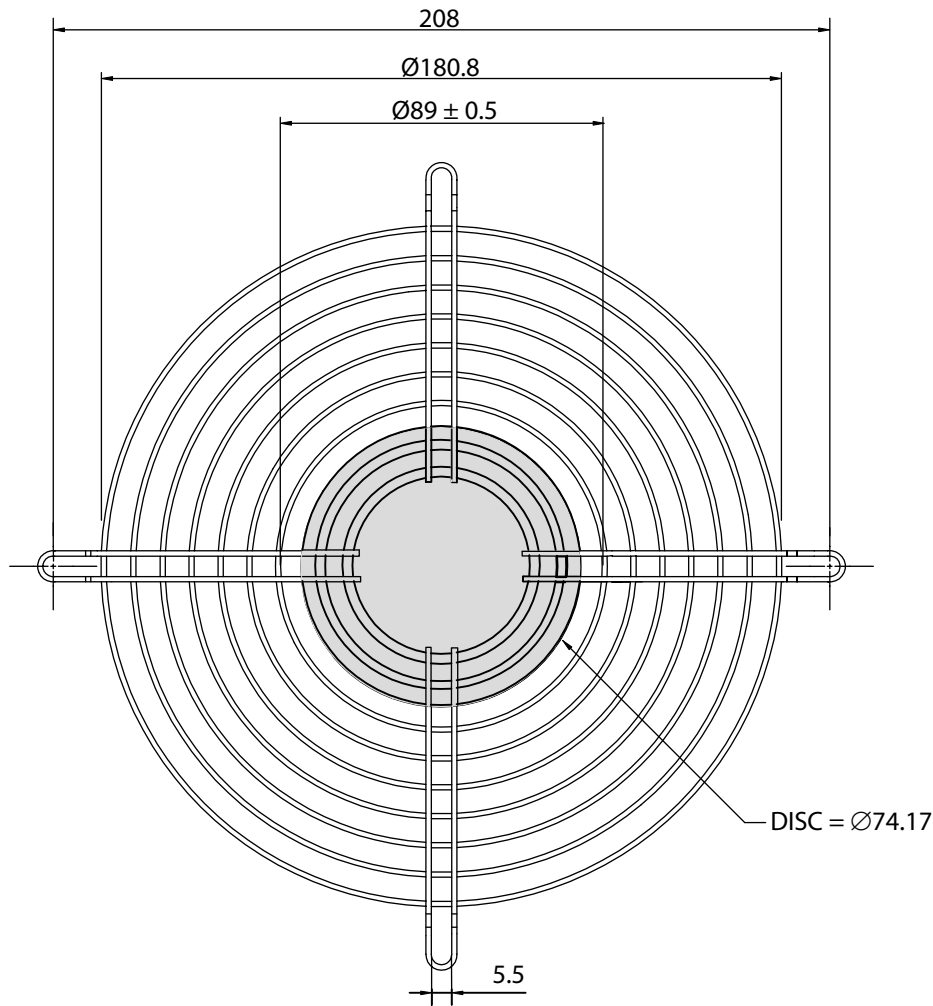


REVISION			
REV.	DESCRIPTION	DATE	APPROVED
B	RoHS Compliancy	06-01-06	DP



NOTES:


1. MATERIAL: SUS304 BRIGHT BASIC WIRE
2. FINISH: ELECTROLYSIS
3. 0.35 ± 0.05 DEPTH OF SERRATIONS ON WIRE
4. RINGS: $\text{Ø}1.6 \pm 0.1\text{mm}$
RIBS: $\text{Ø}1.6 \pm 0.1\text{mm}$
DISC = $\text{Ø}74.17$ T=0.8mm
5. GENERAL TOLERANCE UNLESS NOTED IS $\pm 0.9\text{mm}$
6. RoHS COMPLIANT

Distributed by Electro-Stock, Inc. sales@electrostock.com
630-682-1542 Fax 630-682-1562 http://www.electrostock.com

CONTROLLED



THESE DRAWINGS ARE THE PROPERTY OF QUALTEK ELECTRONICS AND NOT TO BE REPRODUCED FOR OR COMMUNICATED TO A THIRD PARTY WITHOUT THE EXPRESS WRITTEN PERMISSION OF AN OFFICER OF QUALTEK ELECTRONICS.

Dim range (mm)	Tolerance +/- (mm)	Qualtek Electronics Corp. FAN-S DIVISION		
		Part Number:	08243-SS	
0-5	0.1	Description: WIRE FORM FAN GUARD (254mm)		
5-16	0.15		UNIT: mm	REV: B
16-64	0.2		Checked / Date	Approved / Date
64-250	0.4	Drawn / Date	12-06-04	JJH / 12-06-04
250-1000	0.5	B. ZHANG 12-06-04	12-06-04	
1000-1500	1.0			