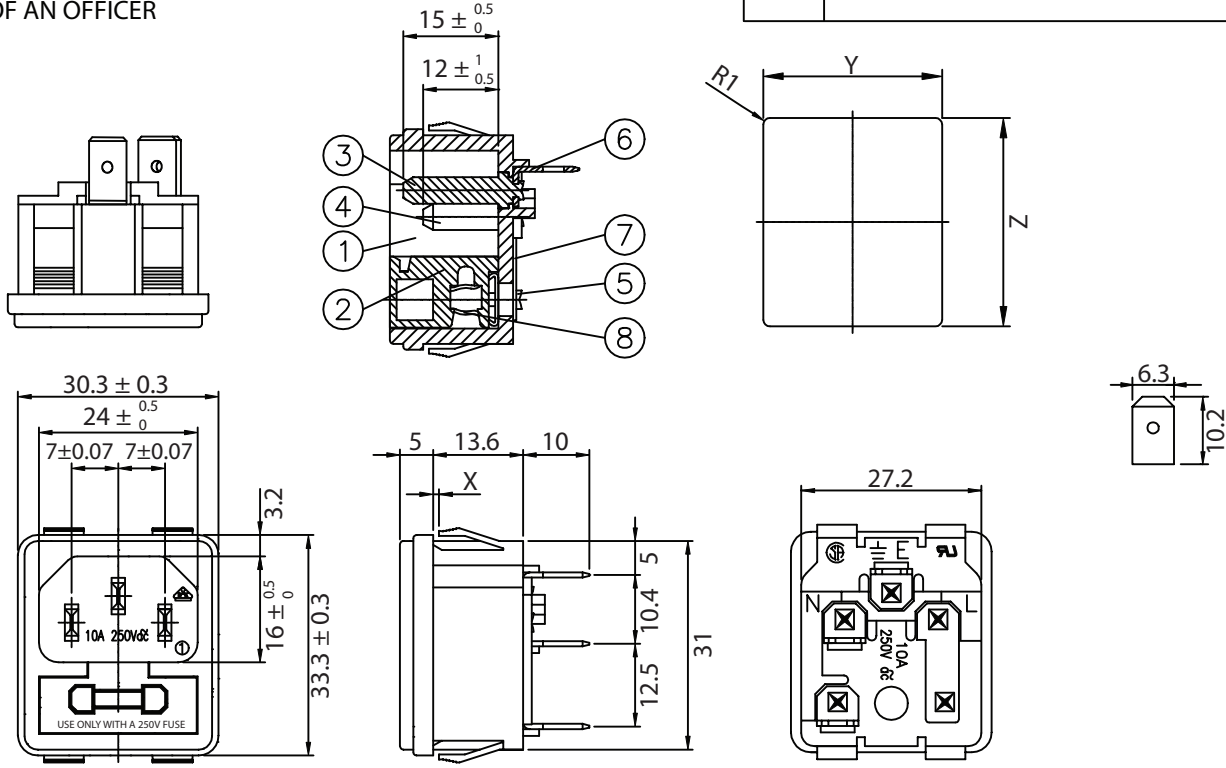


THESE DRAWINGS ARE THE PROPERTY OF QUALTEK ELECTRONICS AND NOT TO BE REPRODUCED FOR OR COMMUNICATED TO A THIRD PARTY WITHOUT THE EXPRESS WRITTEN PERMISSION OF AN OFFICER OF QUALTEK ELECTRONICS.

REVISION			
REV.	DESCRIPTION	DATE	APPROVED
B	RoHS Compliancy	06-01-06	DP



**CONTROLLED**

X(PANEL THICKNESS)	Y(CUTOUT DIMENSION)	Z(CUTOUT DIMENSION)
0.8~1.25 mm	27.3± <sup>0.2</sup> <sub>0</sub>	31.4± <sup>0.5</sup> <sub>0</sub>
1.25~2.0 mm	27.3± <sup>0.2</sup> <sub>0</sub>	31.6± <sup>0.5</sup> <sub>0</sub>

PANEL CUTOUT DIMENSION TABLE

Distributed by Electro-Stock, Inc. sales@electrostock.com  
630-682-1542 Fax 630-682-1562 http://www.electrostock.com

NOTES:

RATING: 10A 250V AC  
INSULATION RESISTANCE: 100M OHM AT 500V DC MIN  
DIELECTRIC STRENGTH: 2000V AC/1 mA 1MIN  
APPROVALS: UL,CSA,VDE  
DUAL FUSEHOLDER, ONE ACTIVE, ONE SPARE  
FUSES NOT INCLUDED - RECOMMENDED SIZE: 5 X 20mm  
RoHS COMPLIANT

8	Terminal Brass t=0.5mm	2
7	Terminal Brass t=0.5mm	1
6	Terminal Brass t=0.8mm	3
5	Terminal Brass t=2.0mm	2
4	Terminal Brass t=2.0mm	2
3	Terminal Brass t=2.0mm	1
2	Cover Nylon # 66	1
1	Case Nylon # 66	1

Dim range (mm)	Tolerance +/- (mm)	Qualtek Electronics Corp. PPC DIVISION		
		Part Number: 723W-X2/04	RoHS Compliant	
0-1	0.15	Description: UNIVERSAL SNAP-IN INLET WITH FUSEHOLDER		
1-6	0.20		UNIT: mm	REV. B
6-18	0.30			
18-50	0.50			
50-120	0.70	Drawn / Date	Checked / Date	Approved / Date
120-250	0.90	B.Zhang 04-04-05	04-04-05	JJH / 04-04-05
250-500	1.20			