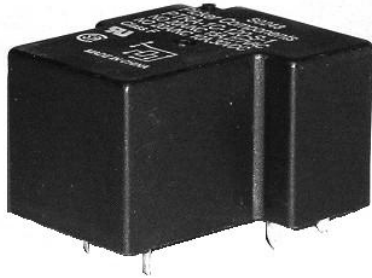


30 and 40 AMP Power PCB Relay With AC Coils

PTRA



FEATURES

- New power PCB relay with AC Coils
- Up to 40 amp switching capacity
- Up to 2 horsepower rating
- From 12 to 220 volt AC coils
- UL Class F insulation standard
- Available with UL 873 spacing
- Epoxy sealed, immersion cleanable
- **Now available Lead Free & RoHS Compliant**



File # E93379

UL/CSA RATINGS

Load Type	Voltage	1 Form A		1 Form B		1 Form C (SPDT)					
		Standard	40 Amp	Standard	40 Amp	Std.	NO	40 Amp	Std.	NC	40 Amp
General Purpose	240 VAC	30 A	40 A	20 A	30 A	30 A	40 A	20 A	30 A		
	277 VAC	20 A	30 A	15 A	20 A	20 A	30 A	20 A	30 A		
	30 VDC	30 A	40 A	20 A	30 A	30 A	40 A	20 A	30 A		
Resistive (100,000 cycles)	120 VAC	30 A	40 A	20 A	30 A	30 A	40 A	20 A	30 A		
	240 VAC	30 A	40 A	20 A	30 A	30 A	40 A	20 A	30 A		
Motor (30,000 cycles)	240 VAC	2 HP		—		2 HP		—			
	120 VAC	1 1/2 HP		—		1 1/2 HP		—			
LRA/FLA (locked rotor amps/full load amps)	240 VAC	80 A/30 A		—		80 A/30 A		—			
	120 VAC	98 A/30 A		—		98 A/30 A		—			

CONTACT DATA

Material		AgCdO (Silver Cadmium Oxide), AgSnOInO (Silver Tin Indium Oxide)
Initial Contact Resistance		50 milliohms max @ 0.1A, 6VDC
Service Life	Mechanical	1 X 10 ⁷ Operations
	Electrical	1 X 10 ⁵ Operations

CHARACTERISTICS

Operate Time	20 ms. max
Release Time	15 ms. max
Insulation Resistance	1,000 megohms min, at 500 VDC, 50%RH
Dielectric Strength	1500 Vrms, 1 min. between open contacts
	1500 Vrms, 1 min. between coil and contacts
Shock Resistance	10 g, 11ms, functional; 100 g, destructive
Vibration Resistance	DA 1.5mm, 10-55 Hz
Power Consumption	0.9W, approx.
Ambient Temperature Range	-55 degrees C to 105 degrees C operating, -55 to 155 degrees C storage
Weight	30 grams approx.

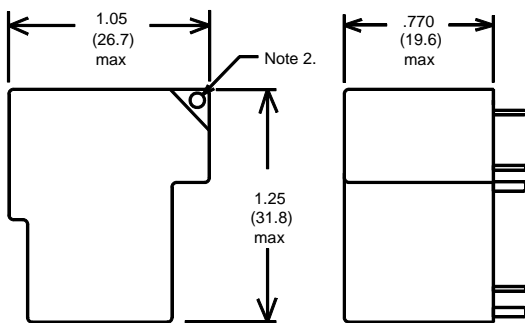
ORDERING INFORMATION

Example:	PTRA	-1C	-120	S	T	-1	-X
Model							
Contact Form							
1A, 1B, or 1C							
Coil Voltage							
Configuration							
Nil: Open Frame; S: Sealed plastic case							
Contact Material							
Nil: AgCdO; T: AgSnOInO; 40: Special 40 amp contacts							
Spacing							
Nil: UL 508; -1: UL 873 (Pin # 6 Omitted)							
RoHS Compliant							
Nil: Not Rohs, -X: RoHS Compliant							

COIL DATA

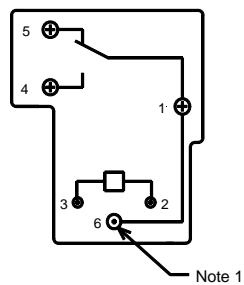
Coil Voltage	Resistance ohms. + 10%	Must Operate Voltage Max. (VAC)	Must Release Voltage Min. (VAC)	Continuous Voltage Max. (VDC)
12	26	10.20	1.8	13.8
24	106	20.40	3.6	27.6
120	2750	93.50	16.0	138
220/240	11000	187.00	33.0	276

Overall Dimensions
Inches (millimeters)

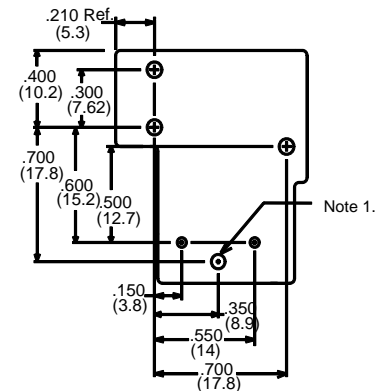


- Notes:**
 1. This pin omitted for UL 873 version.
 2. Breakable nib may be removed after flux removal.

Schematic



Pin Layout
Bottom View



Tolerances $\pm .010$ unless otherwise noted
 Holes for load term. $.081 \pm .005$ Dia. ($2.06 \pm .13$)
 Holes for Coil term. $.043 \pm .003$ Dia. ($1.09 \pm .08$)



3220 Commander Drive, Suite 102, Carrollton, Texas 75006

Sales: Call Toll Free (888) 997-3933 Fax (818) 342-5296 email: pickerwest@sbcglobal.net URL: pickercomponents.com