

MATERIAL AND FINISH

Insulator: PBT, UL-94V-0 Rated, color (see ordering code)

Shell: Phosphor bronze, Tin plated

Contacts: Phosphor bronze, selective Gold over 50µin Nickel in contact area.

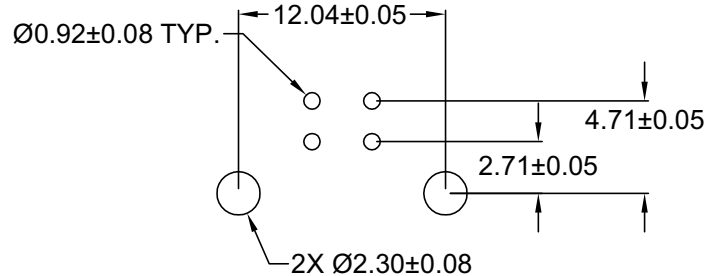
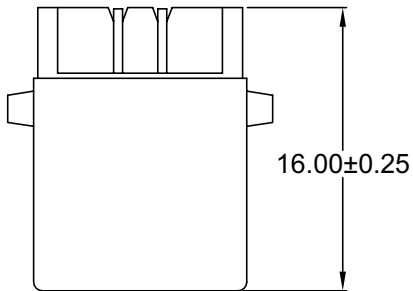
ELECTRICAL SPECIFICATIONS:

Rated current: 1 A, 30 VAC

Contact resistance: 30 mohm

Insulation resistance: 500 Mohm min. at 500 VDC

Dielectric withstanding voltage: 750 VAC for one minute

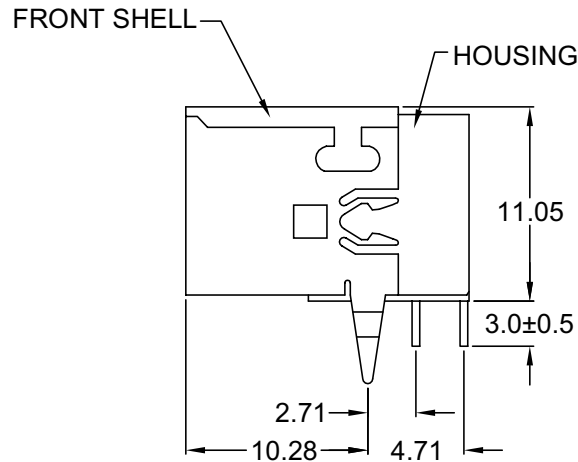
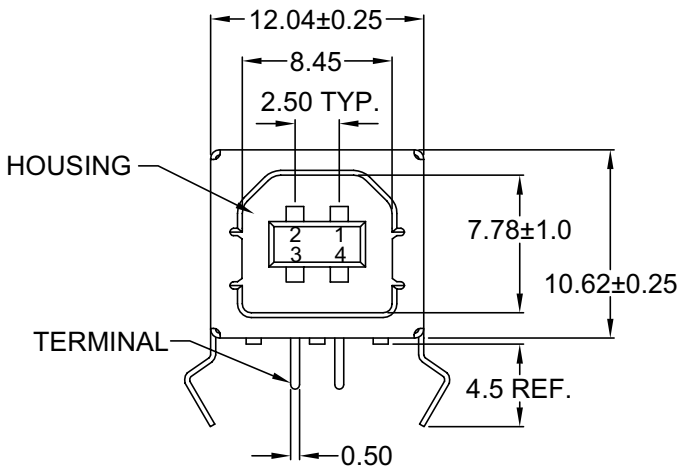


RECOMMENDED PCB LAYOUT (TOP VIEW)

ORDERING CODE: USB-FA2RP 1/1

1) INSULATOR COLOR

- 1 = BEIGE
- 2 = BLACK
- 3 = WHITE



Distributed by Electro-Stock, Inc. sales@electrostock.com 630-682-1542 Fax 630-682-1562 http://www.electrostock.com

TOLERANCE UNLESS OTHERWISE SPECIFIED		
X	±	1
X.X	±	0.4
X.XX	±	0.20
DRAWN BY	GQ	DATE: 06/24/02
CHECK BY	TD	DATE: 06/26/02
APPR BY	PB	DATE: 06/26/02

Power Dynamics, Inc.

Phone: 973 560-0019 Whippany, New Jersey Fax: 973 560-0076

PART: USB CONNECTOR, 'B' TYPE, FEMALE 90° 1 PORT, PCB MOUNT; WITHOUT REAR SHELL

USB-FB1RPX1 SHEET 1 of 1

SCALE: NTS ALL DIMENSIONS FOR REFERENCE ONLY DIMENSIONS ARE IN MILLIMETERS REV:

REVISIONS	CHNG	CHECK	APPR
	CHANGE		
REV	DATE		