

MATERIAL AND FINISH

Insulator: PBT, UL-94V-0 rated, color (see ordering code)
 Shell: Brass, Tin plated
 Contacts: Phosphor Bronze, Gold (see chart) on mating end, Tin/Lead on termination end all over Nickel plated

MECHANICAL SPECIFICATIONS:

Durability: 1500 cycles at 15 to 20 cycles per minute
 Insertion force: 35 N max.
 Withdrawal force: 10 N max.

ELECTRICAL SPECIFICATIONS:

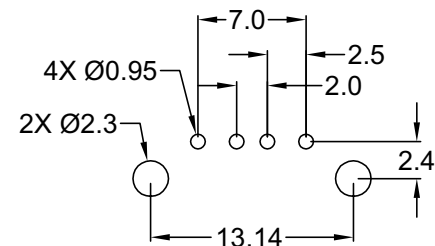
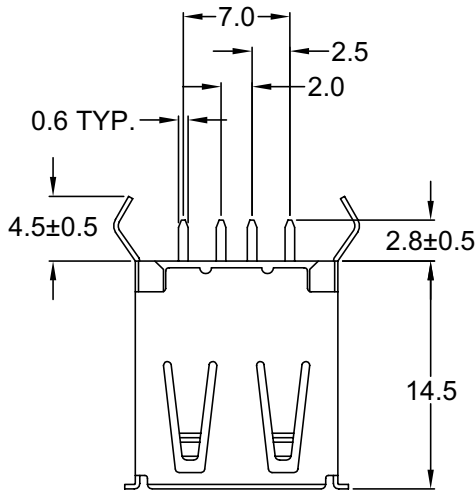
Rated current: 1.5 A max.
 Rated voltage: 250 VAC min.
 Insulation resistance: 1000 Mohm min. at 500 VDC
 Dielectric withstanding voltage: 750 VAC for one minute
 Contact resistance: 30 mohm max.
 Contact capacitance: 2 pf max.

ENVIRONMENTAL:

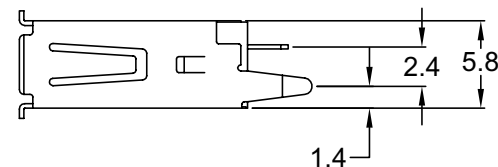
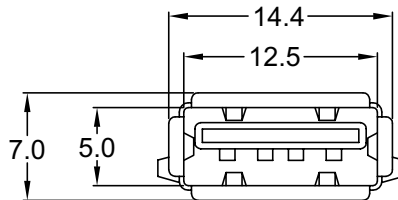
Operating temperature: -40°C to +85°C

SOLDERABILITY:

Solder time: 5 sec. ± 0.5 sec.
 Solder temp: 245°C ± 5°C



RECOMMENDED PCB LAYOUT



ORDERING CODE:

USB-FA1SP 1 2

- 1) INSULATOR COLOR
 1 = BEIGE
 2 = BLACK
 3 = WHITE

- 2) PLATING
 SEE CHART

Distributed by Electro-Stock, Inc. sales@electrostock.com
 630-682-1542 Fax 630-682-1562 http://www.electrostock.com

P/N	PLATING
USB-FA1SPX1	GOLD FLASH
USB-FA1SPX2	10µ"
USB-FA1SPX3	15µ"
USB-FA1SPX4	30µ"

TOLERANCE UNLESS OTHERWISE SPECIFIED	
X	± 1
X.X	± 0.4
X.XX	± 0.20

Power Dynamics, Inc.
 Phone: 973 560-0019 Whippany, New Jersey Fax: 973 560-0076

PART: USB CONNECTOR; 'A' TYPE, FEMALE 180°C
 1 PORT; PCB MOUNT

DRAWN BY	GQ	DATE:	06/25/02
CHECK BY	TD	DATE:	06/26/02
APPR BY	PB	DATE:	06/26/02

PART #:		USB-FA1SPXX	SHEET
SIZE: A			1 of 1
SCALE: NTS	ALL DIMENSIONS FOR REFERENCE ONLY DIMENSIONS ARE IN MILLIMETERS		REV:

REV	DATE	CHANGE	CHKG	CHKD	APPR