

MATERIAL AND FINISH

Insulator: PBT, UL-94V-0 rated, color (see ordering code)
 Shell: Brass, Tin plated
 Contacts: Phosphor Bronze, Gold (see chart) on mating end, Tin/Lead on termination end all over Nickel plated

MECHANICAL SPECIFICATIONS:

Durability: 1500 cycles at 15 to 20 cycles per minute
 Insertion force: 35 N max.
 Withdrawal force: 10 N max.

ELECTRICAL SPECIFICATIONS:

Rated current: 1 A max.
 Rated voltage: 250 VAC max.
 Insulation resistance: 100 Mohm min. at 500 VDC
 Dielectric withstanding voltage: 250 VAC for one minute
 Contact resistance: 30 mohm max.
 Contact capacitance: 2 pF max.

ENVIRONMENTAL:

Operating temperature: -40°C to +85°C

SOLDERABILITY:

Solder time: 5 sec.±0.5 sec.
 Solder temp: 245°C±5°C

ORDERING CODE:

USB-FA1RP 1 2

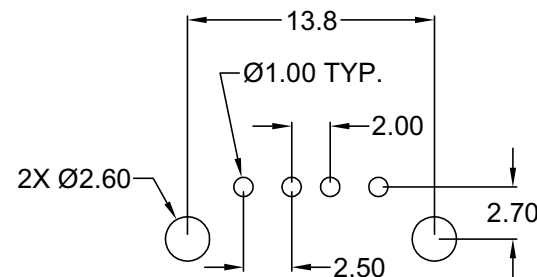
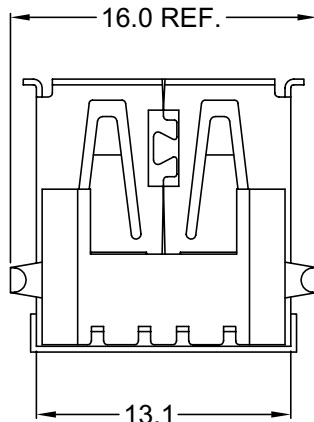
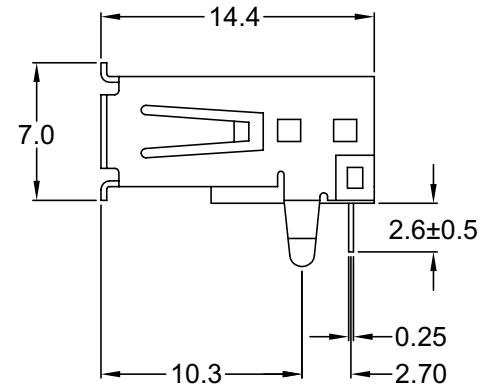
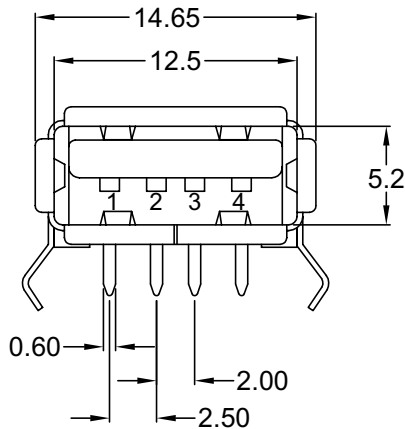
1) INSULATOR COLOR

- 1 = BEIGE
- 2 = BLACK
- 3 = WHITE

2) PLATING SEE CHART

P/N	PLATING
USB-FA1RPX1	GOLD FLASH
USB-FA1RPX2	10µ"
USB-FA1RPX3	15µ"
USB-FA1RPX4	30µ"

Distributed by Electro-Stock, Inc. sales@electrostock.com
 630-682-1542 Fax 630-682-1562 http://www.electrostock.com



RECOMMENDED
PCB LAYOUT (TOP VIEW)

REV	DATE	CHANGE	CHKG	CHKD	APPR

TOLERANCE UNLESS OTHERWISE SPECIFIED	
X	± 1
X.X	± 0.4
X.XX	± 0.20

DRAWN BY	GQ	DATE:	06/21/02
CHECK BY	TD	DATE:	07/02/02
APPR BY	PB	DATE:	07/02/02

Power Dynamics, Inc.

Phone: 973 560-0019 Whippany, New Jersey Fax: 973 560-0076

PART: USB CONNECTOR, 'A' TYPE, FEMALE 90°,
1 PORT, PCB PINS

PART #: USB-FA1RPXX		SHEET 1 of 1
SIZE: A	ALL DIMENSIONS FOR REFERENCE ONLY DIMENSIONS ARE IN MILLIMETERS	REV:
SCALE: NTS		