

6

5

4

3

2

1

MATERIAL AND FINISH

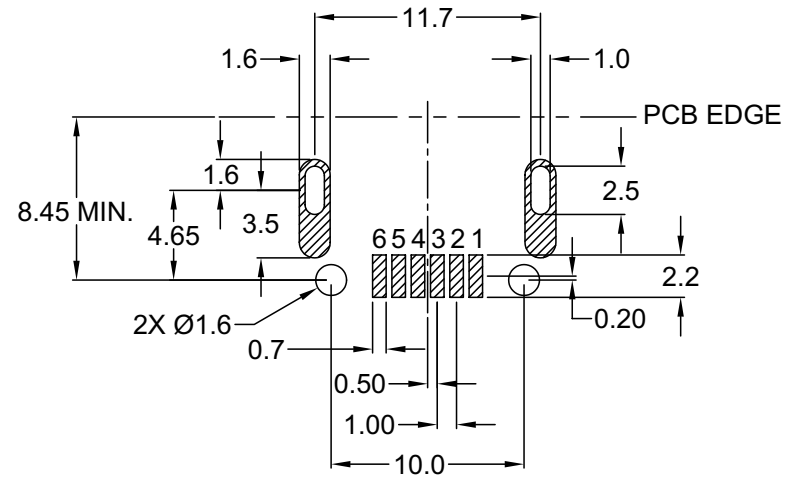
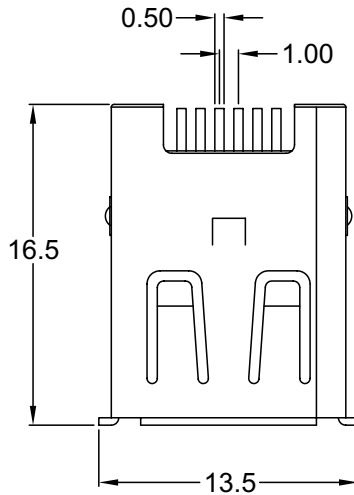
Insulator: High temperature Thermoplastic, UL-94V-0 rated, color (see ordering code)
 Shell: Copper Alloy, Tin/Lead over Nickel plating
 Contacts: Copper Alloy, Gold (see chart) on mating end, Tin/Lead on tail end

ELECTRICAL SPECIFICATIONS:

Rated current: 1.5 A max.
 Insulation resistance: 100 Mohm min. at 500 VDC
 Dielectric withstanding voltage: 500 VAC for one minute
 Contact resistance: 30 mohm max.

ENVIRONMENTAL:

Operating Temperature: -55°C to +105°C



ORDERING CODE:

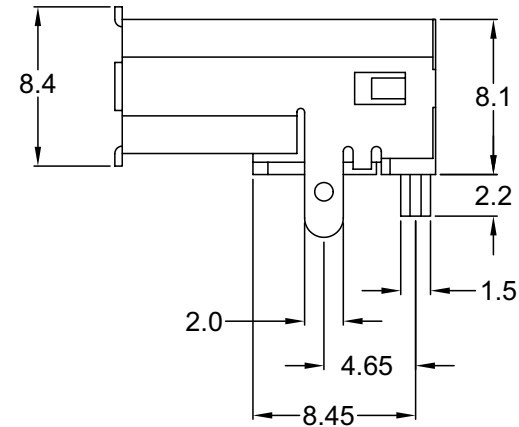
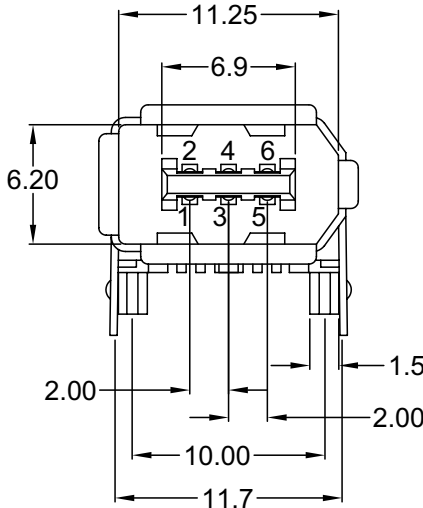
FC-FRP 1 2

1) INSULATOR COLOR

- 1 = BEIGE
- 2 = BLACK
- 3 = WHITE

2) PLATING

SEE CHART



Distributed by Electro-Stock, Inc. sales@electrostock.com
 630-682-1542 Fax 630-682-1562 http://www.electrostock.com

TOLERANCE
 UNLESS OTHERWISE SPECIFIED

X ± 1
 X.X ± 0.4
 X.XX ± 0.20

Power Dynamics, Inc.

Phone: 973 560-0019 Whippany, New Jersey Fax: 973 560-0076

PART: IEEE-1394 CONNECTOR
 FLAT, SMT PCB

P/N	PLATING
FC-FRPX1	GOLD FLASH
FC-FRPX2	10µ"
FC-FRPX3	15µ"
FC-FRPX4	30µ"

DRAWN BY	GQ	DATE:	07/02/02
CHECK BY	TD	DATE:	07/03/02
APPR BY	PB	DATE:	07/03/02

PART #: FC-FRPXX		SHEET 1 of 1
SIZE: A	ALL DIMENSIONS FOR REFERENCE ONLY	
SCALE: NTS	DIMENSIONS ARE IN MILLIMETERS	
		REV:

REV	DATE	CHANGE	CHKNG	CHKCK	APPR

6

5

4

3

2

1