

6

5

4

3

2

1

### MATERIAL AND FINISH

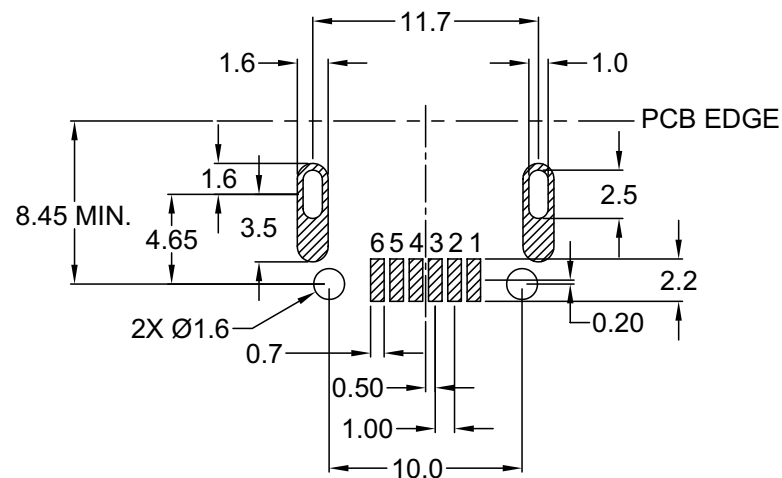
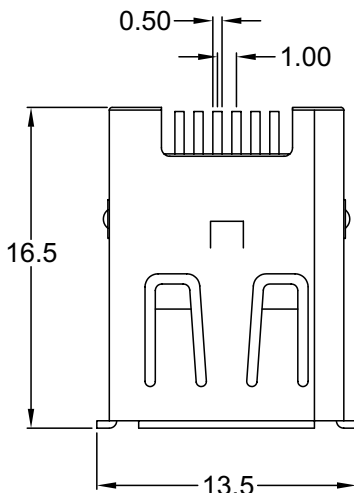
Insulator: High temperature Thermoplastic, UL-94V-0 rated, color (see ordering code)  
 Shell: Copper Alloy, Tin/Lead over Nickel plating  
 Contacts: Copper Alloy, Gold (see chart) on mating end, Tin/Lead on tail end

### ELECTRICAL SPECIFICATIONS:

Rated current: 1.5 A max.  
 Insulation resistance: 100 Mohm min. at 500 VDC  
 Dielectric withstanding voltage: 500 VAC for one minute  
 Contact resistance: 30 mohm max.

### ENVIRONMENTAL:

Operating Temperature: -55°C to +105°C



### ORDERING CODE:

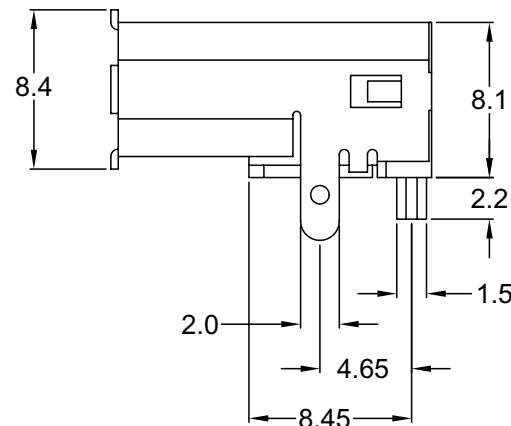
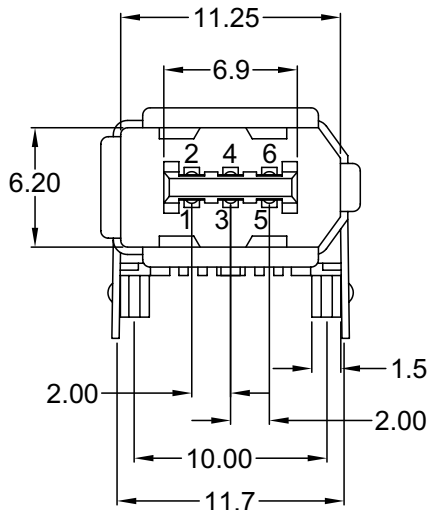
FC-FRP  $\frac{1}{2}$

### 1) INSULATOR COLOR

- 1 = BEIGE
- 2 = BLACK
- 3 = WHITE

### 2) PLATING

SEE CHART



REVISIONS
CHANGE
CHKG
CHK
APPR
REV
DATE

TOLERANCE	
UNLESS OTHERWISE SPECIFIED	
X	± 1
X.X	± 0.4
X.XX	± 0.20

**Power Dynamics, Inc.**  
 Phone: 973 560-0019 Whippany, New Jersey Fax: 973 560-0076

PART: IEEE-1394 CONNECTOR  
 FLAT, SMT PCB

P/N	PLATING
FC-FRPX1	GOLD FLASH
FC-FRPX2	10µ"
FC-FRPX3	15µ"
FC-FRPX4	30µ"

DRAWN BY	GQ	DATE:	07/02/02
CHECK BY	TD	DATE:	07/03/02
APPR BY	PB	DATE:	07/03/02

PART #: FC-FRPXX		SHEET 1 of 1
SIZE: A	ALL DIMENSIONS FOR REFERENCE ONLY DIMENSIONS ARE IN MILLIMETERS	REV:
SCALE: NTS		

6

5

4

3

2

1