

6

5

4

3

2

1

MATERIAL AND FINISH

Insulator: PBT glass filled, UL-94V-0 rated, color (see ordering code)

Shell: Brass, Tin plated

Contacts: Phosphor Bronze, Gold (see chart) on mating end, Tin/Lead on termination end all over Nickel plated

MECHANICAL SPECIFICATIONS:

Durability: 1500 cycles at 15 to 20 cycles per minute

Insertion force: 35 N max.

Withdrawal force: 10 N max.

ELECTRICAL SPECIFICATIONS:

Rated current: 1.5 A max.

Rated voltage: 250 VAC min.

Insulation resistance: 1000 Mohm min. at 500 VDC

Dielectric withstanding voltage: 750 VAC for one minute

Contact resistance: 30 mohm max.

Contact capacitance: 2 pf max.

ENVIRONMENTAL:

Operating temperature: -40°C to +85°C

SOLDERABILITY:

Solder time: 5 sec. ± 0.5 sec.

Solder temp: 245°C ± 5°C

ORDERING CODE:

USB-FA2RP 1 2

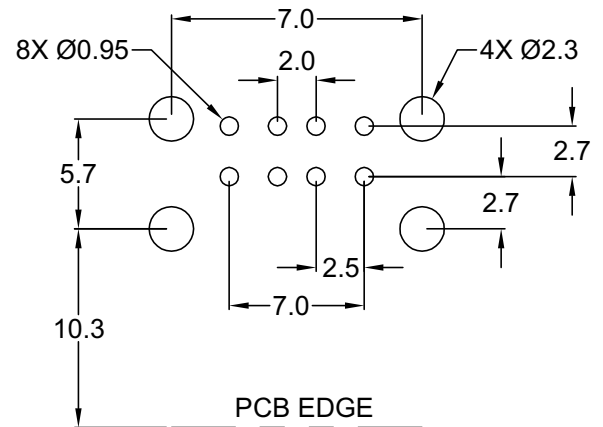
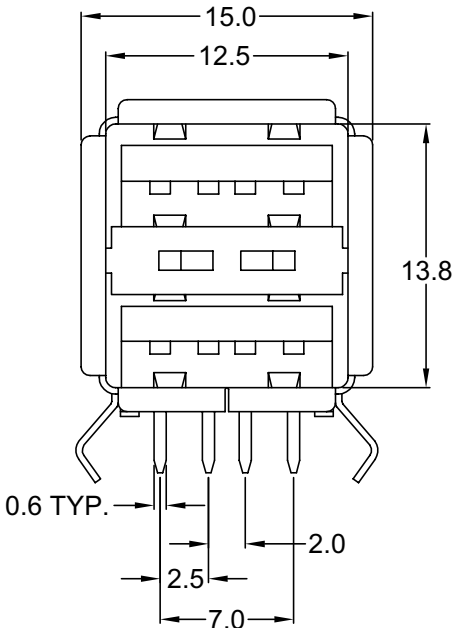
1) INSULATOR COLOR

1 = BEIGE

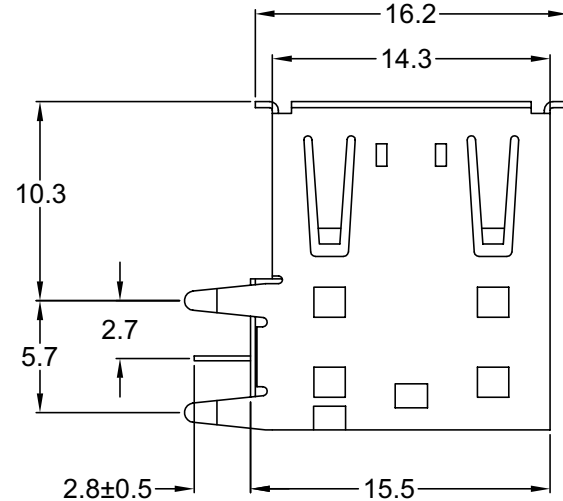
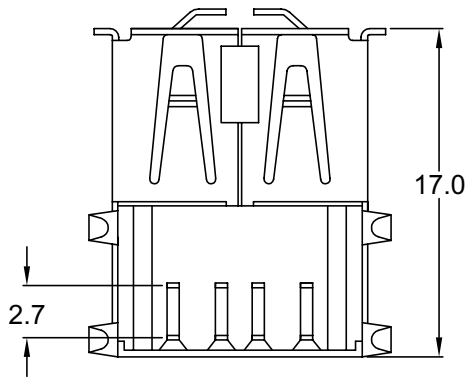
2 = BLACK

3 = WHITE

2) PLATING SEE CHART



RECOMMENDED
PCB LAYOUT (TOP VIEW)



P/N	PLATING
USB-FA2RPX1	GOLD FLASH
USB-FA2RPX2	10µ"
USB-FA2RPX3	15µ"
USB-FA2RPX4	30µ"

TOLERANCE UNLESS OTHERWISE SPECIFIED	
X	± 1
X.X	± 0.4
X.XX	± 0.20

DRAWN BY	GQ	DATE:	06/21/02
CHECK BY	TD	DATE:	06/26/02
APPR BY	PB	DATE:	06/26/02

Power Dynamics, Inc.

Phone: 973 560-0019 Whippany, New Jersey Fax: 973 560-0076

PART: USB CONNECTOR, 'A' TYPE, FEMALE 90°
2 PORT STACKED, PCB PIN

PART #: USB-FA2RPXX		SHEET 1 of 1
SIZE: A	ALL DIMENSIONS FOR REFERENCE ONLY DIMENSIONS ARE IN MILLIMETERS	
SCALE: NTS	REV:	

D

C

B

A

REVISIONS	CHNG	CHK	APPR
	DATE	CHANGE	

6

5

4

3

2

1