

MATERIAL AND FINISH

Insulator: PBT, UL-94V-0 rated, color (see ordering code)
 Shell: Brass, Tin plated
 Contacts: Phosphor Bronze, Gold (see chart) on mating end, Tin/Lead on termination end all over Nickel plated

MECHANICAL SPECIFICATIONS:

Durability: 1500 cycles at 15 to 20 cycles per minute
 Insertion force: 35 N max.
 Withdrawal force: 10 N max.

ELECTRICAL SPECIFICATIONS:

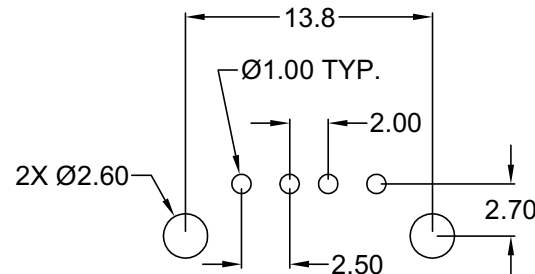
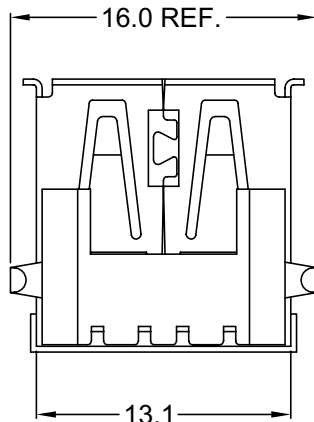
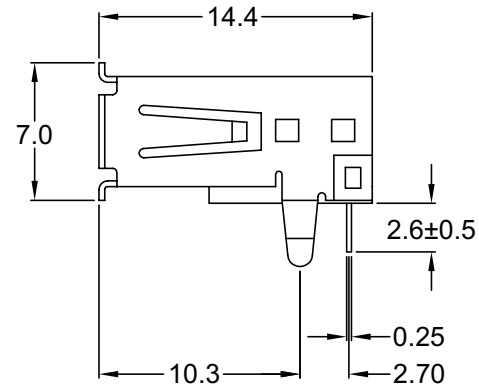
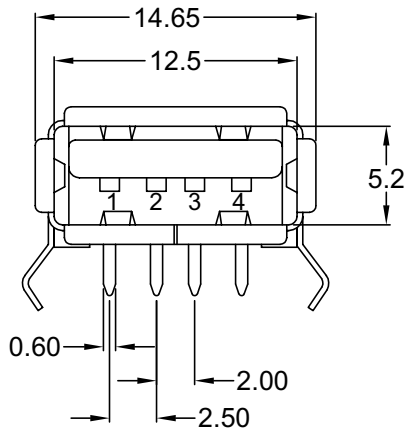
Rated current: 1 A max.
 Rated voltage: 250 VAC max.
 Insulation resistance: 100 Mohm min. at 500 VDC
 Dielectric withstanding voltage: 250 VAC for one minute
 Contact resistance: 30 mohm max.
 Contact capacitance: 2 pF max.

ENVIRONMENTAL:

Operating temperature: -40°C to +85°C

SOLDERABILITY:

Solder time: 5 sec.±0.5 sec.
 Solder temp: 245°C±5°C



RECOMMENDED
PCB LAYOUT (TOP VIEW)

ORDERING CODE:

USB-FA1RP 1 2

1) INSULATOR COLOR

- 1 = BEIGE
- 2 = BLACK
- 3 = WHITE

2) PLATING

SEE CHART

P/N	PLATING
USB-FA1RPX1	GOLD FLASH
USB-FA1RPX2	10µ"
USB-FA1RPX3	15µ"
USB-FA1RPX4	30µ"

TOLERANCE UNLESS OTHERWISE SPECIFIED	
X	± 1
X.X	± 0.4
X.XX	± 0.20

DRAWN BY	GQ	DATE:	06/21/02
CHECK BY	TD	DATE:	07/02/02
APPR BY	PB	DATE:	07/02/02

Power Dynamics, Inc.
 Phone: 973 560-0019 Whippany, New Jersey Fax: 973 560-0076

PART: USB CONNECTOR, 'A' TYPE, FEMALE 90°,
1 PORT, PCB PINS

USB-FA1RPXX

PART #: **USB-FA1RPXX** SHEET 1 of 1

SIZE: A ALL DIMENSIONS FOR REFERENCE ONLY
 SCALE: NTS DIMENSIONS ARE IN MILLIMETERS REV:

REV	DATE	CHANGE	CHKG	CHKD	APPR

! "# \$ % "' #'&'\$(
)" & * "#
 + \$) *) , - # % "' \$) (. & '
 "# & / "# ".& & "# 0" &\$1" * "#

+ + + + 2
 3&&4 5!!\$4\$" 5 6!\$4\$" *" .& "
 " & \$" 75 .89
 :&#) ; \$" ! .89

+ + + + 2
 "#\$ " 95 .89
 "#0 " 65! +.&9
 & "& \$" !!!).&9
 &"\$ &\$;&) #&'0 " <5! + " .& "
 + \$ "& \$" 7!.) .89
 + \$ \$ *\$& \$" 6 * .89

2
 2*" &' ".*" " !=+ >?5=+

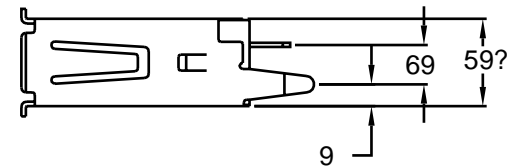
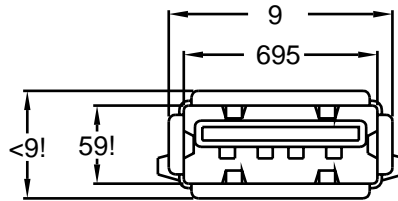
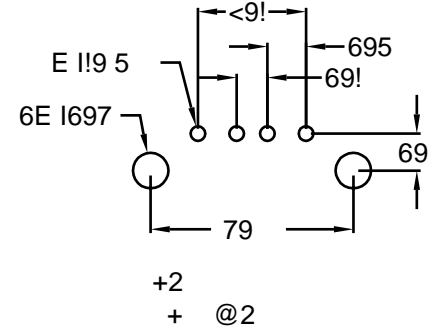
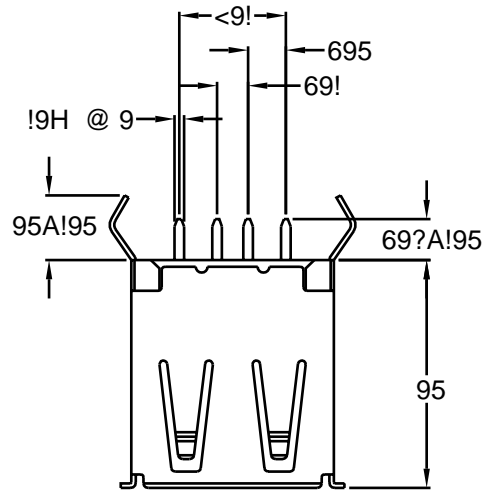
2 @
 #" &." 5 "\$9 A !95 "\$9
 #" ".* 6 5=+ A 5=+

2 -+2
 BB BB

6

(2 +2 2
 C -
 6 C +D
 7 C :

6(-
 +



/	-
E	-2
E6	!FG
E7	5FG
E	7!FG

CS, Inc.