

6

5

4

3

2

1

MATERIAL AND FINISH

Insulator: Glass filled polyester UL-94V-0.
Contacts: Phosphor bronze t=0.35mm, selective Gold plating (see chart), 150µin of Tin on solder tail, all over 50µin of Nickel.

MECHANICAL SPECIFICATIONS:
Durability: 750 cycles min.

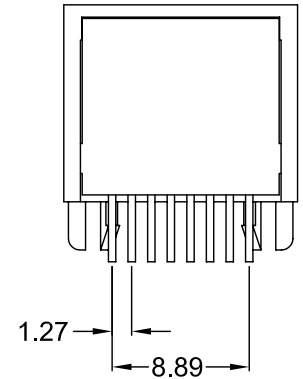
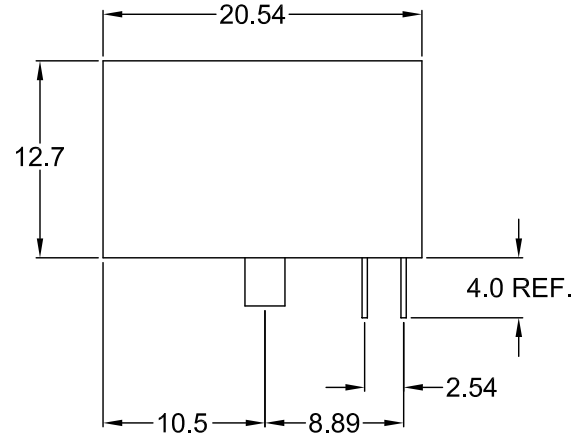
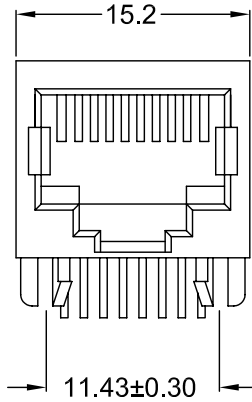
ELECTRICAL SPECIFICATIONS:
Rated voltage: 150 VAC rms.
Rated current: 1.0 A
Contact resistance: 40 mohms max.
Insulation resistance: 1000 Mohm min. at 500 VDC
Dielectric withstanding voltage: 1000 VAC rms 60Hz for one minute.

ENVIRONMENTAL:
Storage temperature: -40°C to +85°C
Operating temperature: 0°C to +70°C

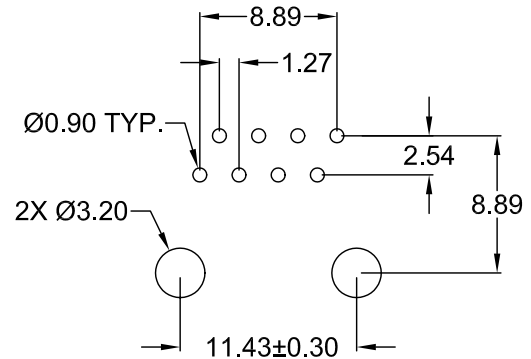
Mates with modular plug conforming to FCC part 68, subpart F.

Category 5 characteristic:

Frequency	Near-End Cross Talk dB, MIN.	Return Loss dB, MIN.	Attenuation dB, MAX.
1.0 MHZ	65	23	0.1
4.0 MHZ	65	23	0.1
8.0 MHZ	62	23	0.1
10.0 MHZ	60	23	0.1
16.0 MHZ	56	23	0.2
20.0 MHZ	54	23	0.2
25.0 MHZ	52	14	0.2
31.25 MHZ	50	14	0.2
62.5 MHZ	44	14	0.3
100.0 MHZ	40	14	0.4



Distributed by Electro-Stock, Inc. sales@electrostock.com
630-682-1542 Fax 630-682-1562 http://www.electrostock.com



RECOMMENDED PCB LAYOUT (TOP VIEW)

REVISIONS	CHNG	CHECK	APPR
	GO	TD	PB
	DATE	REVISED / UPDATED	
	REV	A	07/11/02

P/N	PLATING
PJ-8P8C-1-50B	6 µ" OF GOLD
PJ-8P8C-1-50B2	15 µ" OF GOLD
PJ-8P8C-1-50B4	30 µ" OF GOLD
PJ-8P8C-1-50B5	50 µ" OF GOLD

TOLERANCE UNLESS OTHERWISE SPECIFIED	
X	± 1
X.X	± 0.4
X.XX	± 0.20
DRAWN BY	GQ
DATE:	07/20/01
CHECK BY	PB
DATE:	07/23/01
APPR BY	TD
DATE:	07/23/01

Power Dynamics, Inc.
Phone: 973 560-0019 Whippany, New Jersey Fax: 973 560-0076
PART: CAT.5 TELEPHONE JACK, 8P8C PCB MOUNT

PART #:	PJ-8P8C-1-50BX	SHEET	1 of 1
SIZE:	A	ALL DIMENSIONS FOR REFERENCE ONLY	REV: A
SCALE:	NTS	DIMENSIONS ARE IN MILLIMETERS	

6

5

4

3

2

1