

MATERIAL AND FINISH:

Insulator: GF thermoplastic, UL-94V-0 rated
 Contact: Phosphor bronze, gold plated (see chart), over 40µin Nickel min.
 Locking latch: Stainless steel
 Spring: Steel wire, Nickel plated.

ELECTRICAL SPECIFICATIONS:

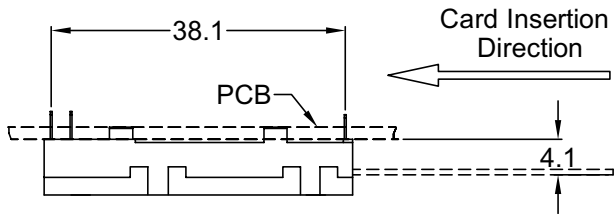
Contact resistance:
 Reading contact: 40 mohm min.
 Card present switch: 40 mohm min.
 Insulation resistance: 500 Mohm min. @ 500VDC
 Voltage rating: 12V
 Dielectric withstanding voltage: 1000V rms for 1 minute.

MECHANICAL SPECIFICATIONS:

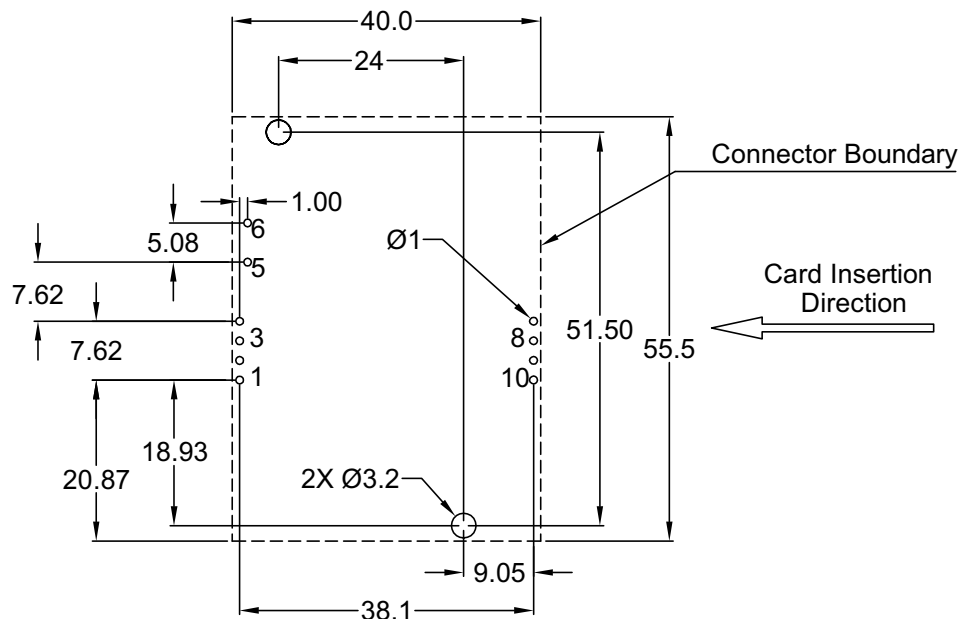
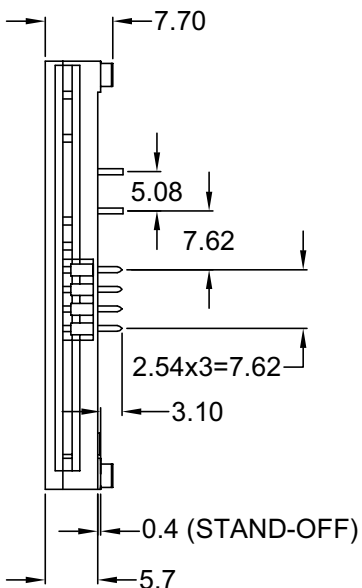
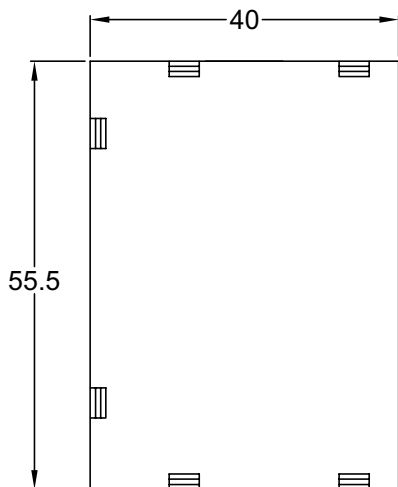
Card insertion force: 10N max.
 Card withdrawal force: 4N max.
 Insertion cycle: 200K cycles min.
 Contact point: 10N max.

ENVIRONMENTAL:

Operating temperature: -25°C to +85°C



Distributed by Electro-Stock, Inc. sales@electrostock.com
 630-682-1542 Fax 630-682-1562 http://www.electrostock.com



RECOMMENDED
PCB LAYOUT (TOP VIEW)

ORDERING CODE:

SC - A - 08 F - X - X

BLANK= SEL. GOLD FLASH
 PLATING: 3 = 30µin GOLD
 5 = 50µin GOLD
 SWITCH: O= OPEN
 C= CLOSED

REVISIONS	CHNG	CHK	APPR
	DATE	TD	JJ
	SS		
	SS		
REV	DATE	BY	DATE
A	12/7/00	JJ	12/7/00
		SS	12/7/00

TOLERANCE UNLESS OTHERWISE SPECIFIED			
X	± 1		
X.X	± 0.4		
X.XX	± 0.20		
DRAWN BY	DT	DATE:	12/7/00
CHECK BY	JJ	DATE:	12/7/00
APPR BY	SS	DATE:	12/7/00

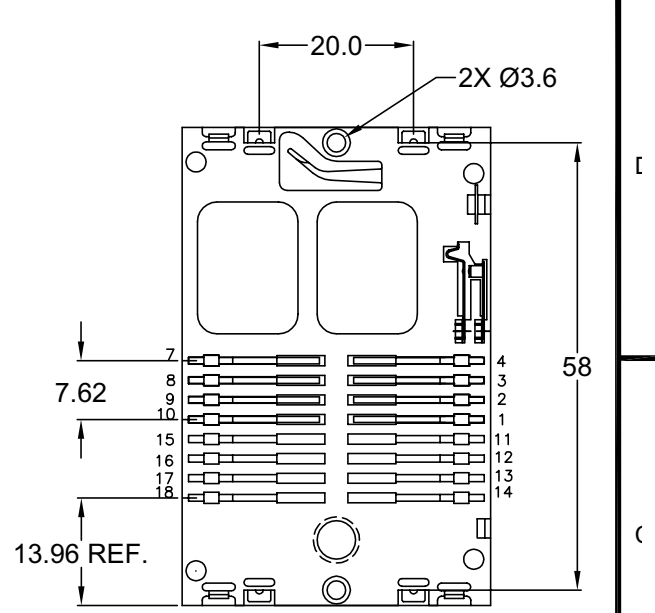
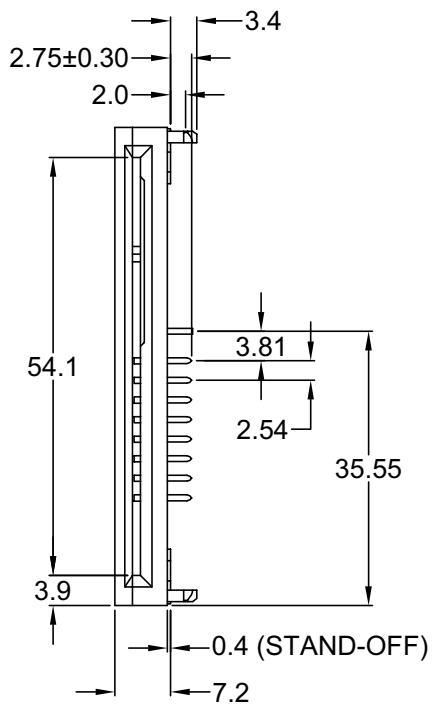
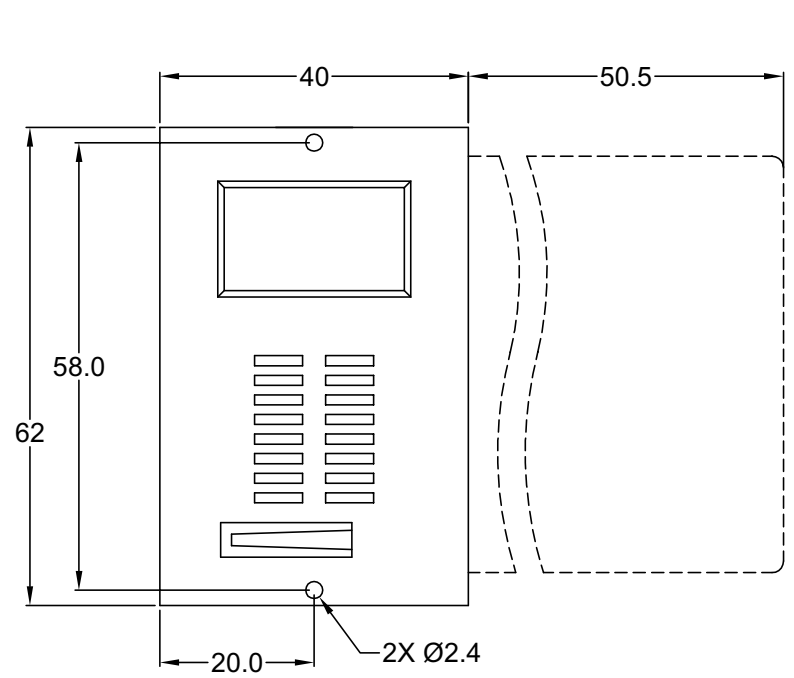
Power Dynamics, Inc.
 Phone: 973 560-0019 Whippany, New Jersey Fax: 973 560-0076

PART: SMART CARD CONNECTOR, A TYPE
 8 CONTACT, CLOSED & OPEN SWITCH

PART #:	SC-A-08F-X-X	SHEET	1 of 1
SIZE:	A	ALL DIMENSIONS FOR REFERENCE ONLY DIMENSIONS ARE IN MILLIMETERS	REV: A
SCALE:	NTS		

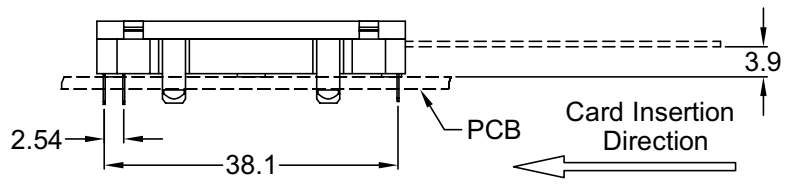
6 5 4 3 2 1

D



C

B



FULL 16 CONTACT (SHOWN)

ORDERING CODE:
SC-B- - - -

- 1) 08 OR 16 CONTACT
- 2) CONTACT LOCATION
L = LEFT (8 CONTACT)
R = RIGHT (8 CONTACT)
F = FULL (16 CONTACT)
- 3) SWITCH
O = OPEN
C = CLOSED
- 4) PLATING
SEE CHART

A

REVISIONS	CHNG	CHECK	APPR
	DATE	REVISED / UPDATED	TD
	07/03/02		PB
	A		

Distributed by Electro-Stock, Inc. sales@electrostock.com
630-682-1542 Fax 630-682-1562 http://www.electrostock.com

TOLERANCE UNLESS OTHERWISE SPECIFIED		
X	±	1
X.X	±	0.4
X.XX	±	0.20
DRAWN BY	DT	DATE: 10/19/00
CHECK BY	JJ	DATE: 12-6-00
APPR BY	SS	DATE: 12-6-00

Power Dynamics, Inc.
Phone: 973 560-0019 Whippany, New Jersey Fax: 973 560-0076

PART: SMART CARD CONNECTOR, B TYPE
8, 16 CONTACT, CLOSED & OPEN SWITCH

SC-B-XXX-X-X

SIZE: A
SCALE: NTS

ALL DIMENSIONS FOR REFERENCE ONLY
DIMENSIONS ARE IN MILLIMETERS

SHEET 1 of 3
REV: A

P/N	PLATING
SC-B-XXX-X	GOLD FLASH
SC-B-XXX-X-3	30µ"
SC-B-XXX-X-5	50µ"

6 5 4 3 2 1

6

5

4

3

2

1

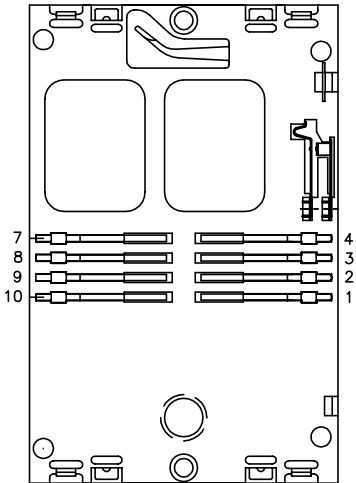
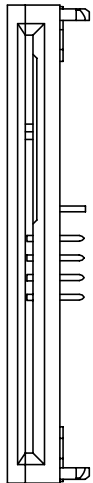
D

C

B

A

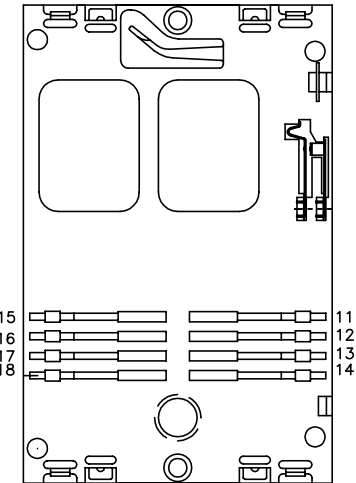
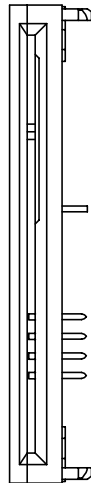
LEFT SIDE



RIGHT SIDE

8 CONTACT LEFT

LEFT SIDE



RIGHT SIDE

8 CONTACT RIGHT

REVISIONS

SEE SHEET 1 OF 3 FOR LATEST REVISIONS

Distributed by Electro-Stock, Inc. sales@electrostock.com
 630-682-1542 Fax 630-682-1562 http://www.electrostock.com

TOLERANCE
 UNLESS OTHERWISE SPECIFIED

X ± 1
 X.X ± 0.4
 X.XX ± 0.20

Power Dynamics, Inc.

Phone: 973 560-0019 Whippany, New Jersey Fax: 973 560-0076

PART: SMART CARD CONNECTOR, B TYPE
 8, 16 CONTACT, CLOSED & OPEN SWITCH

DRAWN BY	DT	DATE:	10/19/00
CHECK BY	JJ	DATE:	12-6-00
APPR BY	SS	DATE:	12-6-00

PART #: **SC-B-XXX-X-X**

SHEET
2 of 3

SIZE: A
 SCALE: NTS

ALL DIMENSIONS FOR REFERENCE ONLY
 DIMENSIONS ARE IN MILLIMETERS

REV: A

6

5

4

3

2

1

MATERIAL AND FINISH:

Insulator: PBT, 30% glass filled, color black, UL-94V-0 rated

Contact: Phosphor bronze, Gold (see chart on sheet 1 of 3) plated over 40µin Nickel min.

MECHANICAL SPECIFICATIONS:

Card insertion force: 5N (511g) min.
Card withdrawal force: 1N (102g) min.
Durability: 100K cycles min. @ 12 rpm
Recommended card thickness: 0.7 ~ 0.8mm
Card insertion depth: 35.3mm REF.

ELECTRICAL SPECIFICATIONS:

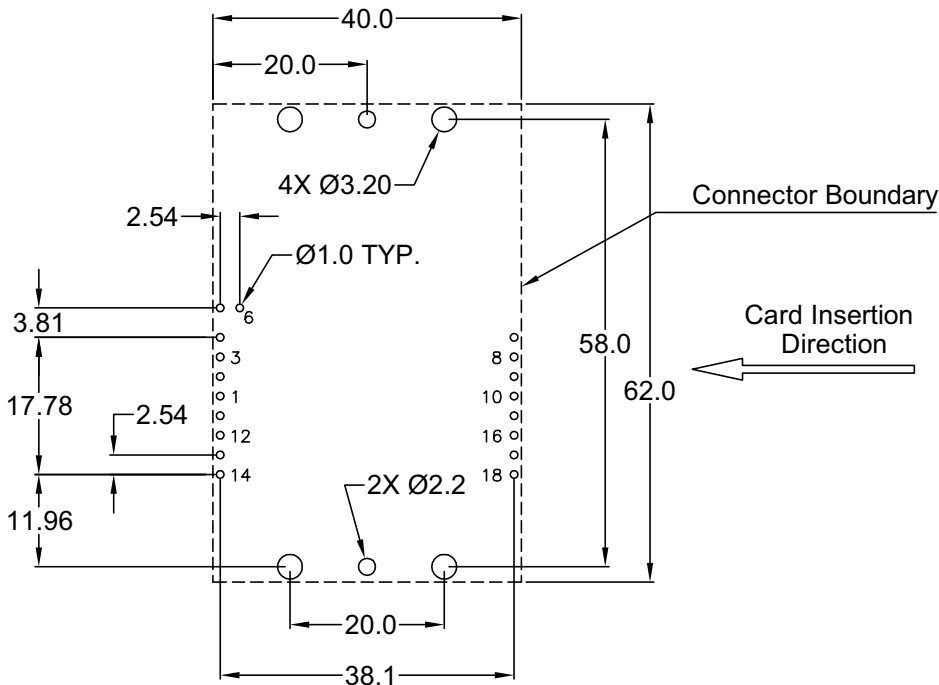
Rated current: 1 A max.
Rated voltage: 1000V rms min.
Contact resistance: 100 mohm max.
Insulation resistance: 1000 Mohm min. @ 500 VDC
Dielectric withstanding voltage: 1000 VAC for 1 minute.

SOLDERABILITY:

Solder temperature: 245±5°C
Solder time: 3 ~ 5 sec.

ENVIRONMENTAL:

Operating temperature: -40°C to +60°C



RECOMMENDED PCB LAYOUT (TOP VIEW)

Distributed by Electro-Stock, Inc. sales@electrostock.com
630-682-1542 Fax 630-682-1562 http://www.electrostock.com

TOLERANCE UNLESS OTHERWISE SPECIFIED	
X	± 1
X.X	± 0.4
X.XX	± 0.20

Power Dynamics, Inc.

Phone: 973 560-0019 Whippany, New Jersey Fax: 973 560-0076

PART: SMART CARD CONNECTOR, B TYPE
8, 16 CONTACT, CLOSED & OPEN SWITCH

DRAWN BY	DT	DATE:	10/19/00
CHECK BY	JJ	DATE:	12-6-00
APPR BY	SS	DATE:	12-6-00

PART #: SC-B-XXX-X-X		SHEET 3 of 3
SIZE: A	ALL DIMENSIONS FOR REFERENCE ONLY DIMENSIONS ARE IN MILLIMETERS	REV: A
SCALE: NTS		

REVISIONS
SEE SHEET 1 OF 3 FOR LATEST REVISIONS