

6

5

4

3

2

1

MATERIAL AND FINISH

Housing:

1&2: Body-ABS (777D), UL-94V-0 rated, color black

Insulator:

3: Nylon (101), UL-94V-2 rated, color black

Contacts:

4: BSR-H (R-35), 30-50 μ" Silver plated

Shell:

5: BSR-H (C2680R), 30-50 μ" Nickel plated

Strain relief:

6: PVC

ELECTRICAL SPECIFICATION:

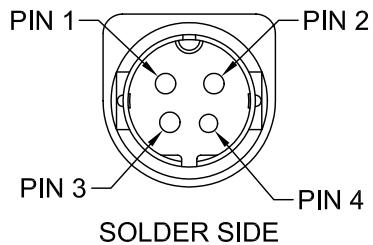
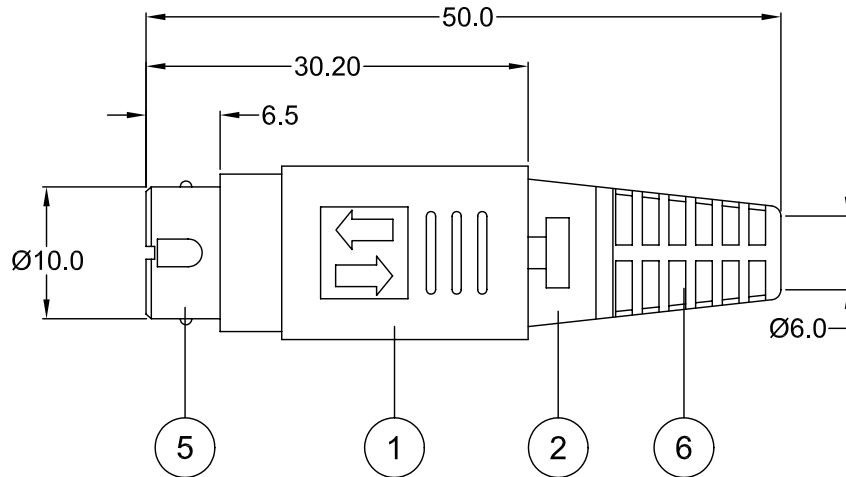
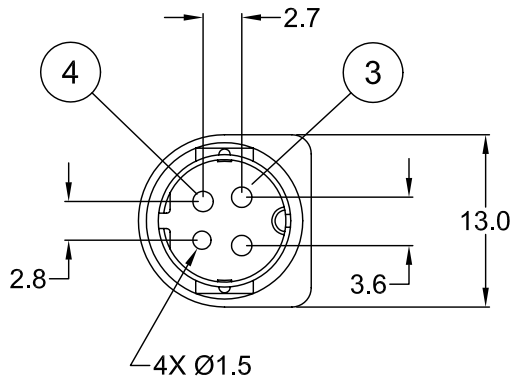
Insulation resistance: 50 Mohm min. @ 250VDC

Dielectric withstanding voltage: 250VAC for 1 minute

Contact resistance: 30 mohm max.

Operating voltage: 7.5A max @ 20VDC.

Distributed by Electro-Stock, Inc. sales@electrostock.com
630-682-1542 Fax 630-682-1562 http://www.electrostock.com



REVISIONS	CHANGE	CHNG		CHK		APPR	
	REVISED & UPDATED	TD	JJ	PB			
	REVISED OPRTG VOLT.	TD	JJ				
	REV	DATE					
A	5/2/00						
B	6/7/00						

TOLERANCE UNLESS OTHERWISE SPECIFIED	
X	± 1
X.X	± 0.4
X.XX	± 0.20
DRAWN BY	S SOKOLI
DATE:	11/30/94
CHECK BY	TD
DATE:	01/15/99
APPR BY	AH
DATE:	01/15/99

Power Dynamics, Inc.	
Phone: 973 560-0019 Whippany, New Jersey Fax: 973 560-0076	
PART: 4 PIN POWER PLUG ASSEMBLED TYPE	
DP-003	
PART #:	
SIZE: A	ALL DIMENSIONS FOR REFERENCE ONLY DIMENSIONS ARE IN MILLIMETERS
SCALE: NTS	REV: B
SHEET 1 of 1	

6

5

4

3

2

1