

6

5

4

3

2

1

MATERIAL AND FINISH

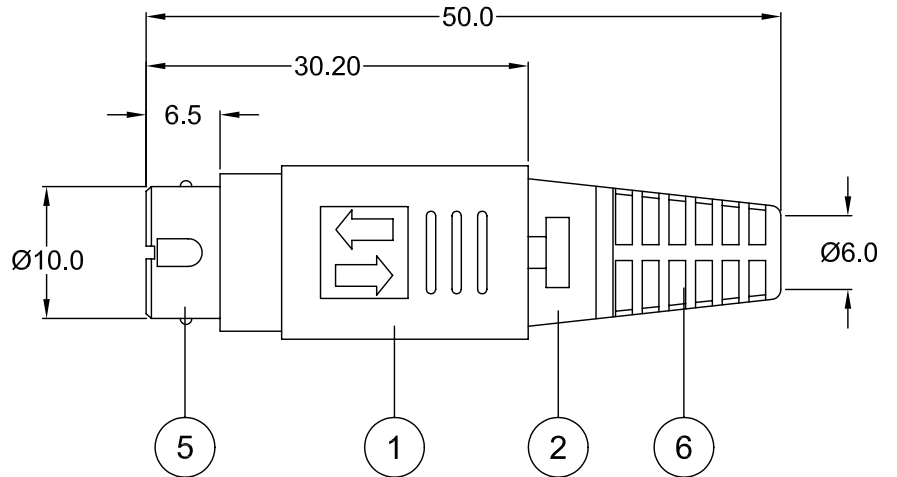
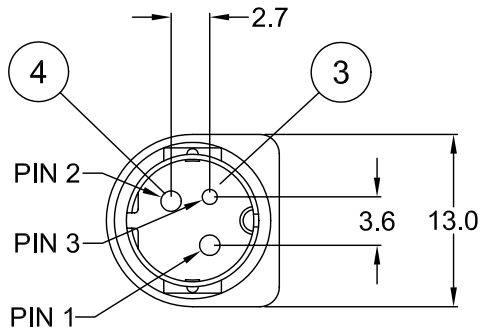
Housing:  
 1&2: Body-ABS (777D), UL-94V-0 rated  
 Insulator:  
 3: Nylon (101), UL-94V-2 rated  
 Contacts:  
 4: BSR-H (R-35), 30-50 μ" silver plated  
 Shell:  
 5: BSR-H (C2680R), 30-50 μ" nickel plated  
 Strain relief:  
 6: PVC

ELECTRICAL SPECIFICATION:

Insulation resistance: 50 Mohm min @ 250 VDC  
 Dielectric strength:  
 250 VAC for 1 minute  
 Contact resistance:  
 30 mohm max.  
 Operating voltage:  
 Pin 1&2: 7.5A max. @ 20VDC  
 Pin 3: 1A max @ 20VDC

MECHANICAL SPECIFICATIONS:

Insertion Force: 4.5 Kgs max.  
 Withdrawal Force: 0.5 ~ 3.5 Kgs.  
 Cycle Life: 5000 cycles



REV	DATE	CHANGE	CHNG		CHK		APPR		
			A	6/7/00	TD	JJ	PB	PB	PB
			B	9/19/00	PB	PB	TD	JJ	JJ
			C	8/27/01	TD	TD	PB	PB	PB
		ADDED MECH. SPECS							
		ADD PIN OUT							

Distributed by Electro-Stock, Inc. sales@electrostock.com  
 630-682-1542 Fax 630-682-1562 http://www.electrostock.com

TOLERANCE UNLESS OTHERWISE SPECIFIED	
X	± 1
X.X	± 0.4
X.XX	± 0.20
DRAWN BY	S SOKOLI
DATE:	11/30/94
CHECK BY	JJ
DATE:	6/7/00
APPR BY	PB
DATE:	6/7/00

**Power Dynamics, Inc.**  
 Phone: 973 560-0019 Whippany, New Jersey Fax: 973 560-0076

PART: 3 PIN POWER PLUG  
 ASSEMBLED TYPE

DP-002

PART #: DP-002

SIZE: A

SCALE: NTS

ALL DIMENSIONS FOR REFERENCE ONLY  
 DIMENSIONS ARE IN MILLIMETERS

SHEET 1 of 1

REV: C

6

5

4

3

2

1