

6

5

4

3

2

1

MATERIAL AND FINISH

Insulator (BODY & COVER): PBT VALOX

420-SE0 UL-94V-0 rated

Contact terminal: brass, Tin plated

Earth terminal: brass, Tin plated

Shield: brass, Tin plated

MECHANICAL SPECIFICATIONS

Insertion force: 6.0 Kg max.

Withdrawal force: 0.5 to 6.0 Kg

Durability: 1000 cycles at 10 to 20 cycles/min.

ELECTRICAL SPECIFICATIONS

Rated current: 7.5 A max. at 20 VDC

Insulator resistance:

Before any environmental test: 50 Mohm min. at 250 VDC

After any environmental test:

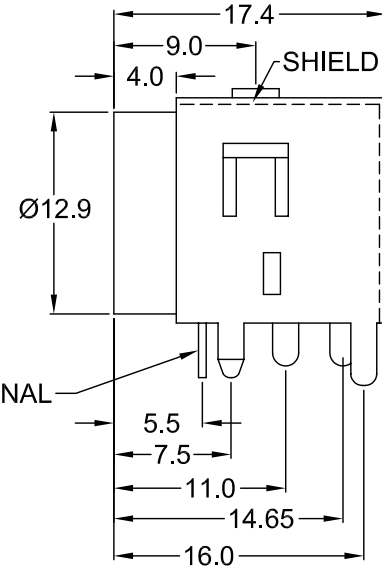
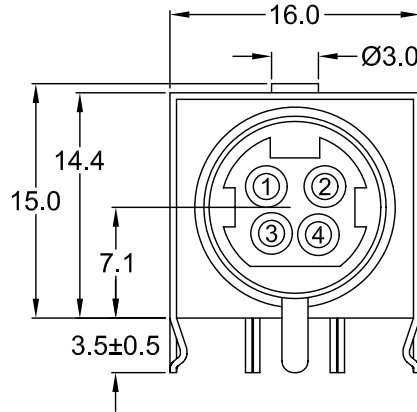
5 Mohm min. at 250 VDC

Dielectric withstanding voltage: 250 VAC for 1 minute

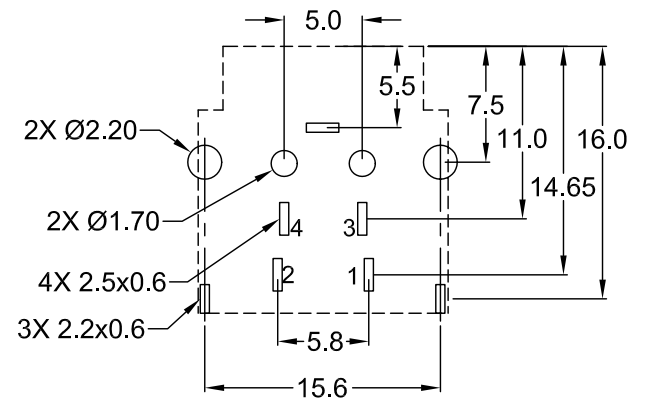
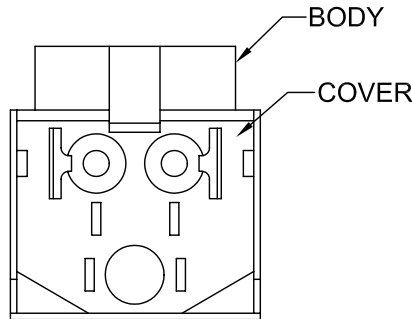
Contact resistance:

Before any test: 30 mohm max @ 20mA, 1KHz.

After durability test: 60 mohm max @ 20mA, 1KHz



EARTH TERMINAL



RECOMMENDED PCB LAYOUT (TOP VIEW)

Distributed by Electro-Stock, Inc. sales@electrostock.com
630-682-1542 Fax 630-682-1562 http://www.electrostock.com

TOLERANCE UNLESS OTHERWISE SPECIFIED	
X	± 1
X.X	± 0.4
X.XX	± 0.20
DRAWN BY	JA
CHECK BY	
APPR BY	
DATE:	2/2/94
DATE:	
DATE:	

Power Dynamics, Inc.
Phone: 973 560-0019 Whippany, New Jersey Fax: 973 560-0076

PART: 4 POSITION SHIELDED
POWER SOCKET

DC-003S

SIZE: A
SCALE: NTS

ALL DIMENSIONS FOR REFERENCE ONLY
DIMENSIONS ARE IN MILLIMETERS

SHEET 1 of 1
REV: B

REVISIONS

REV	DATE	CHANGE	CHNG. CHECK	APPR
A	5/1/00	REVISED & UPDATED DWG	TD	JJ
B	5/19/05	CHNG. PLATING		PB

6

5

4

3

2

1