

6

5

4

3

2

1

MATERIAL AND FINISH

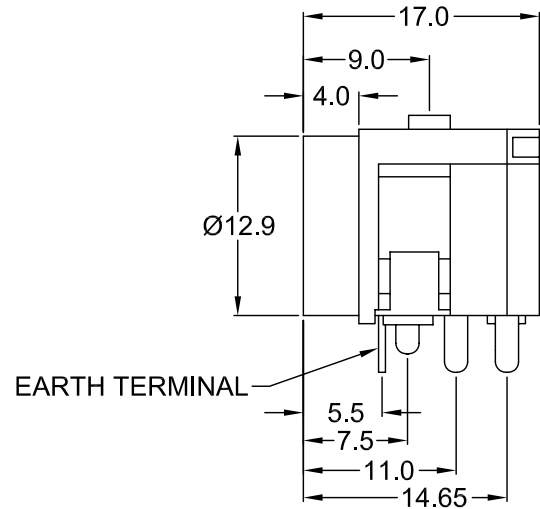
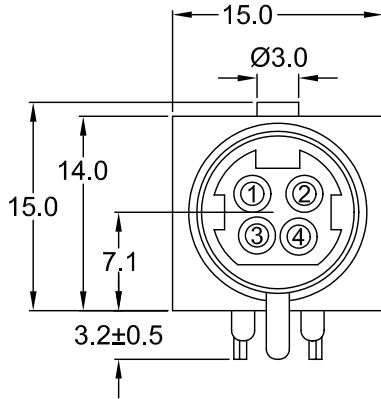
Insulator (BODY & COVER): PBT VALOX 420-SE0
UL-94V-0 rated
Contact terminal: Brass, Tin plated
Earth terminal: Brass, Tin plated

MECHANICAL SPECIFICATIONS

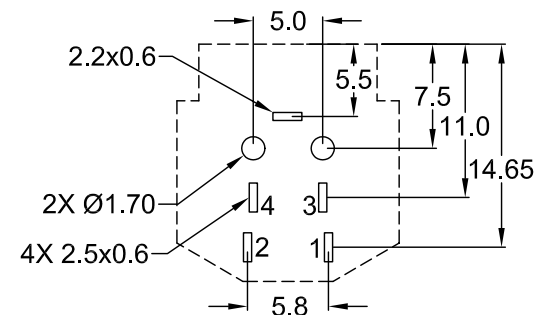
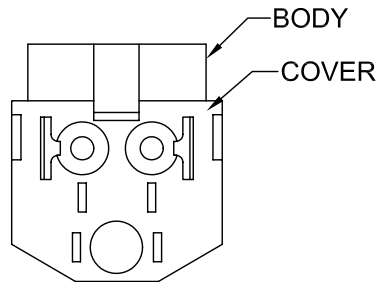
Insertion force: 6.0 Kg max.
Withdrawal force: 0.5 to 6.0 Kg
Durability: 1000 cycles at 10 to 20 cycles/min.

ELECTRICAL SPECIFICATIONS

Rated current: 7.5 A max. at 20 VDC
Insulator resistance:
Before any environmental test: 50 Mohm min. at 250 VDC
After any environmental test: 5 Mohm min. at 250 VDC
Dielectric withstanding voltage: 250 VAC for 1 minute
Contact resistance:
Before any test: 30 mohm max @ 20mA, 1KHz.
After durability test: 60 mohm max @ 20mA, 1KHz



EARTH TERMINAL



RECOMMENDED PCB LAYOUT (TOP VIEW)

D

D

C

C

B

B

A

A

REV	DATE	CHNG		CHK		APPR	
		CHANGE	REV'D & UP'D	TD	JJ	PB	
		5/1/00	5/20/05				
		A	A				

Distributed by Electro-Stock, Inc. sales@electrostock.com
630-682-1542 Fax 630-682-1562 http://www.electrostock.com

TOLERANCE UNLESS OTHERWISE SPECIFIED	
X	± 1
X.X	± 0.4
X.XX	± 0.20
DRAWN BY	JA
DATE:	2/2/94
CHECK BY	
DATE:	
APPR BY	
DATE:	

Power Dynamics, Inc.
Phone: 973 560-0019 Whippany, New Jersey Fax: 973 560-0076

PART: 4 POSITION
POWER SOCKET

DC-003

SIZE: A
SCALE: NTS

ALL DIMENSIONS FOR REFERENCE ONLY
DIMENSIONS ARE IN MILLIMETERS

SHEET 1 of 1
REV: B

6

5

4

3

2

1