

6

5

4

3

2

1

MATERIAL AND FINISH

Insulator (BODY & COVER): PBT, UL-94V-0 rated

Contact terminal:

- 1&2: Brass, Tin plated
- 3 : Phosphor bronze, Tin plated

Earth terminal: Brass, Tin plated

MECHANICAL SPECIFICATIONS

Insertion force: 6.0 Kg max.

Withdrawal force: 0.5 to 6.0 Kg

Durability: 1000 cycles at 10 to 20 cycles/min.

SOLDERABILITY:

Solder temp: 235°C max.

Solder time: 5 sec. max.

ELECTRICAL SPECIFICATIONS

Rated current: 7.5 A max. at 20 VDC (pin 1 & 2), 1A max. at 20VDC (pin 3)

Insulator resistance:

Before any environmental test: 50 Mohm min. at 250 VDC

After any environmental test: 5 Mohm min. at 250 VDC

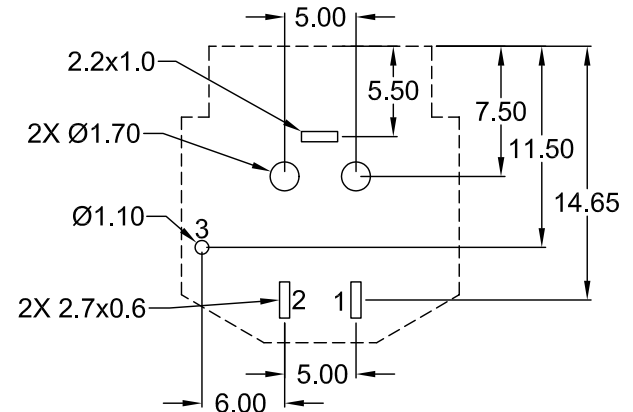
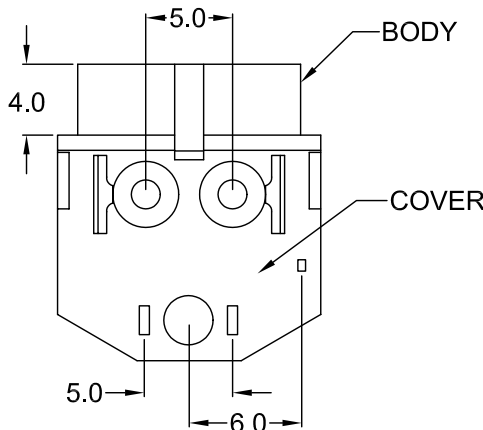
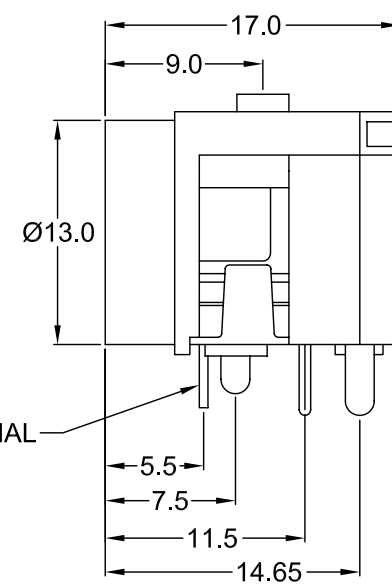
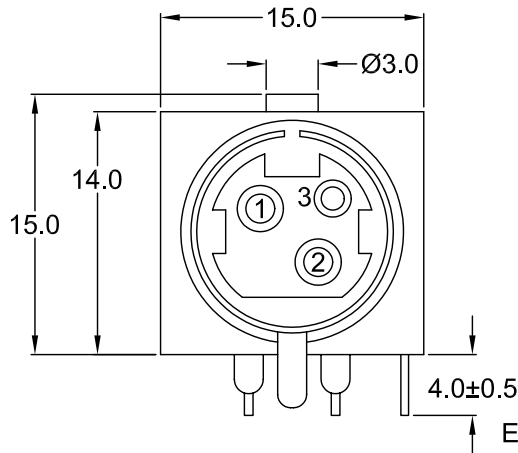
Dielectric withstanding voltage: 250 VAC for 1 minute

Contact resistance:

Before any test: 30 mohm max @ 20mA, 1KHz (pin 1, 2, & 3)

After durability test: 60 mohm max @ 20mA, 1KHz (pin 1 & 2), 100 mohm max. @ 20mA, 1 KHz (pin 3).

NOTE: RoHS compliant



RECOMMENDED PCB LAYOUT (TOP VIEW)

Distributed by Electro-Stock, Inc. sales@electrostock.com
630-682-1542 Fax 630-682-1562 http://www.electrostock.com

TOLERANCE UNLESS OTHERWISE SPECIFIED	
X	± 1
X.X	± 0.4
X.XX	± 0.20
DRAWN BY	JA
CHECK BY	
APPR BY	
DATE:	2/3/94
DATE:	
DATE:	

Power Dynamics, Inc.
 Phone: 973 560-0019 Whippany, New Jersey Fax: 973 560-0076

PART: 3 POSITION POWER SOCKET, PCB MOUNT

DC-002

PART #: DC-002

SIZE: A

SCALE: NTS

ALL DIMENSIONS FOR REFERENCE ONLY
DIMENSIONS ARE IN MILLIMETERS

SHEET 1 of 1

REV: B

REV	DATE	CHANGE	CHNG		CHK		APPR	
			REVISED & UPDATED DWG	TD	PB	PB	PB	PB
A	11/02/01							
B	4/11/05							

6

5

4

3

2

1