

6

5

4

3

2

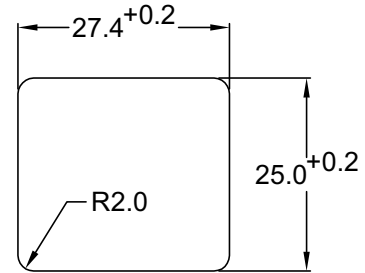
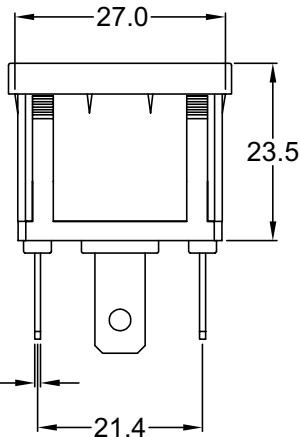
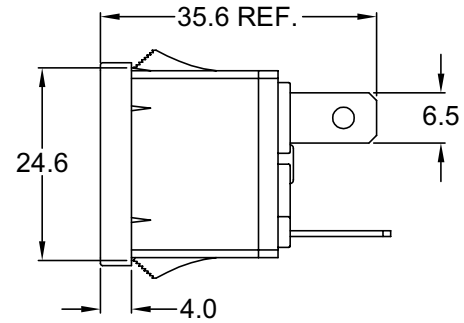
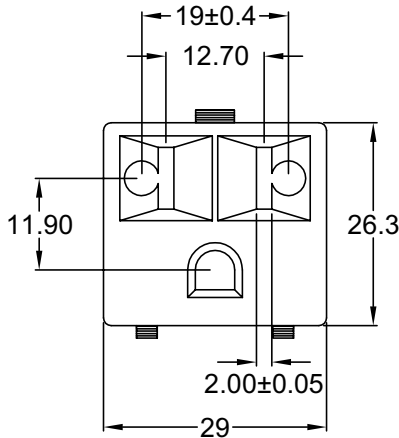
1

### MATERIAL AND FINISH

Insulator: Nylon 66, black, UL-94V-2 Rated  
Contacts: Bronze, Nickel plated

### ELECTRICAL SPECIFICATIONS:

Rated current: 10A/15A, 250VAC  
Insulation resistance: 100 Mohm min. at 500VDC  
Dielectric withstanding voltage: 2000VAC for one minute



RECOMMENDED  
PANEL CUTOUT  
PANEL THICKNESS: 0.8 mm  
MIN. TO 2.2 mm MAX.

Distributed by Electro-Stock, Inc. sales@electrostock.com  
630-682-1542 Fax 630-682-1562 http://www.electrostock.com

TOLERANCE UNLESS OTHERWISE SPECIFIED	
X	± 1
X.X	± 0.4
X.XX	± 0.20
DRAWN BY	GQ
DATE:	10/31/01
CHECK BY	TD
DATE:	11/05/01
APPR BY	PB
DATE:	11/05/01

## Power Dynamics, Inc.

Phone: 973 560-0019 Whippany, New Jersey Fax: 973 560-0076

PART: SOUTH AMERICAN RECEPTACLE  
10A/15A 250VAC

PART #: PD-16X		SHEET 1 of 1
SIZE: A	ALL DIMENSIONS FOR REFERENCE ONLY DIMENSIONS ARE IN MILLIMETERS	REV:
SCALE: NTS		

REV	DATE	CHANGE	CHKG	CHKD	APPR

6

5

4

3

2

1