


MATERIAL AND FINISH

Insulator: Nylon 66, UL-94V-0 Rated
Contacts: Brass.

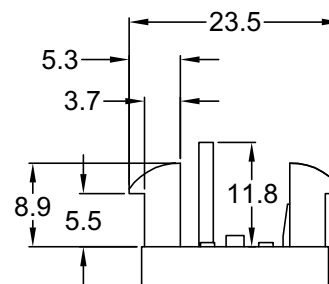
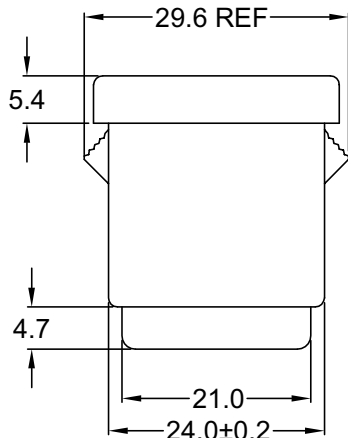
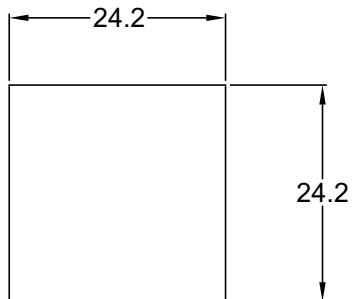
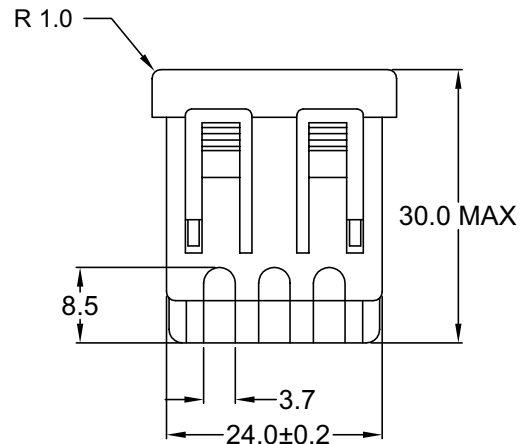
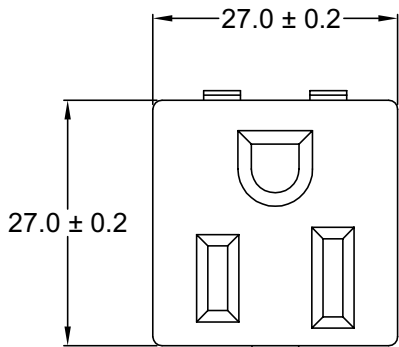
ELECTRICAL SPECIFICATIONS:

Rated current: 15A 125V 

Insulation resistance: 100 Mohm min. at 500VDC
Dielectric withstanding voltage: 1000VAC for one minute
Contact resistance: 30 milliohms max. at 2.5Vdc at 1A.

MECHANICAL SPECIFICATIONS:

Meets JIS C 8303 section 4.1 retaining force.



REAR COVER DETAIL

RECOMMENDED PANEL CUTOUT
Panel thickness range: 0.8mm max to 3.0mm max.

REV	DATE	CHANGE	CHNG		CHK		APPR	
			BY	DATE	BY	DATE	BY	DATE
A	8/99	CHGD REAR COVER	SS		SS		TD	JJ
B	4/3/00	UPDATED DRAWING	SS		SS		SS	JJ
C	11/9/00	ADDED JIS NOTE	SS		SS		SS	PB
D	10/25/01	ADD DIM 11.8 & REV. DIM	TD		TD		TD	

Distributed by Electro-Stock, Inc. sales@electrostock.com
630-682-1542 Fax 630-682-1562 http://www.electrostock.com

TOLERANCE UNLESS OTHERWISE SPECIFIED		
X	±	1
X.X	±	0.4
X.XX	±	0.20

DRAWN BY	SS	DATE:	2/16/00
CHECK BY	TD	DATE:	8/23/00
APPR BY	SS	DATE:	8/23/00

Power Dynamics, Inc.
Phone: 973 560-0019 Whippany, New Jersey Fax: 973 560-0076

PART: NEMA 5-15 RECEPTACLE, UNIVERSAL
SANP IN, 15A 125V

PD-15-2

SIZE: A
SCALE: NTS

ALL DIMENSIONS FOR REFERENCE ONLY
DIMENSIONS ARE IN MILLIMETERS

SHEET 1 of 1
REV: D

6

5

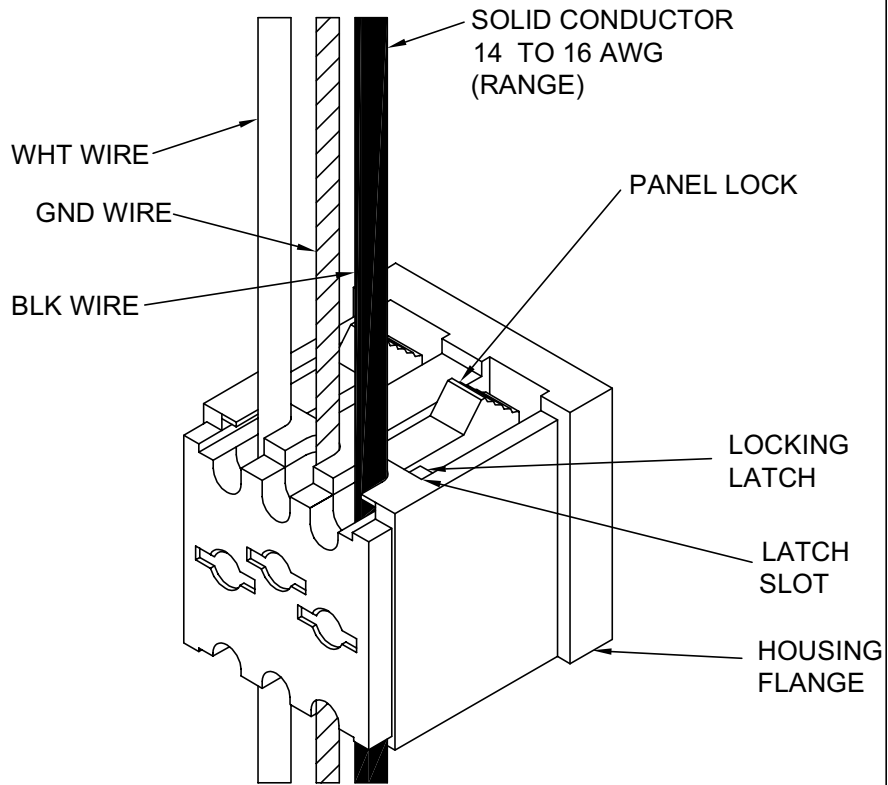
4

3

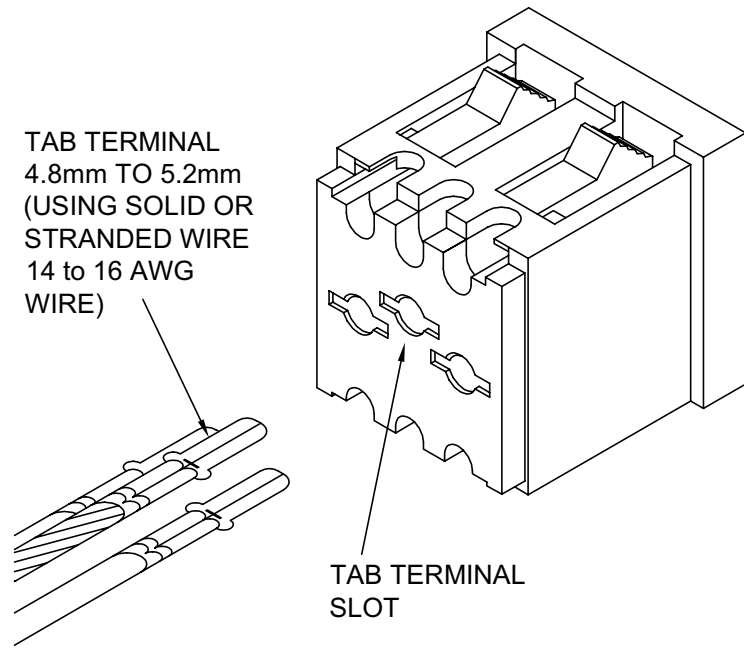
2

1

SINGLE SOCKET FEED THRU APPLICATION



TAB TERMINAL
 4.8mm TO 5.2mm
 (USING SOLID OR
 STRANDED WIRE
 14 to 16 AWG
 WIRE)



4.8 TO 5.2 FASTON TAB TERMINAL
 APPLICATION

Distributed by Electro-Stock, Inc. sales@electrostock.com
 630-682-1542 Fax 630-682-1562 http://www.electrostock.com

REVISIONS	CHNG	CHECK	APPR
	CHANGE		
	DATE		
	SEE SHEET 1 FOR LATEST REVISION		

TOLERANCE UNLESS OTHERWISE SPECIFIED		
X	±	1
X.X	±	0.4
X.XX	±	0.20
DRAWN BY	SS	DATE: 02/16/99
CHECK BY	TD	DATE: 8/23/99
APPR BY	SS	DATE: 8/23/99

Power Dynamics, Inc.

Phone: 973 560-0019 Whippany, New Jersey Fax: 973 560-0076

PART: NEMA 5-15 RECEPTACLE, UNIVERSAL
 SNAP IN, 15A 125V

PART #: PD-15-2		SHEET 1 of 1
SIZE: A	ALL DIMENSIONS FOR REFERENCE ONLY DIMENSIONS ARE IN MILLIMETERS	
SCALE: NTS		REV: D

6

5

4

3

2

1