

6

5

4

3


2

1

MATERIAL AND FINISH

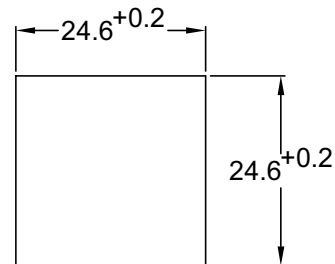
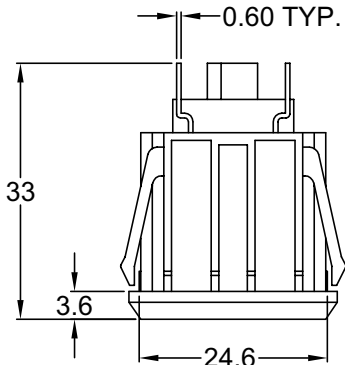
Insulator: PC (Polycarbonate), black,
 UL-94V-2 rated
 Contacts: Bronze, Tin plated

ELECTRICAL SPECIFICATIONS:

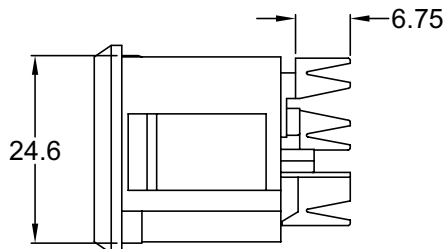
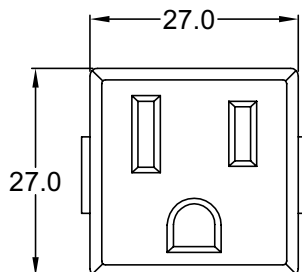
Current rating: 15 A 
 Voltage rating: 250 VAC
 Insulation resistance: 1000 Mohm min. at 500 VDC
 Dielectric withstanding voltage: 1500 VAC for one minute
 Contact resistance: 30 mohm max.

ENVIRONMENTAL:

Operating Temperature: 70°C



RECOMMENDED PANEL CUTOUT
 PANEL THICKNESS RANGE 0.8 ~ 1.6 MAX.



D

C

B

A

REV	DATE	CHANGE	CHNG		CHK		APPR	
			BY	DATE	BY	DATE	BY	DATE
A	5/94	REVISED DRAWING	JA		AH		SS	
B	12/22/99	REVISED DIM. & SPECS.	PB		SS		SS	
C	10/26/01	REVISED / REDRAWN	GO		TD		PB	

Distributed by Electro-Stock, Inc. sales@electrostock.com
 630-682-1542 Fax 630-682-1562 http://www.electrostock.com

TOLERANCE UNLESS OTHERWISE SPECIFIED	
X	± 1
X.X	± 0.4
X.XX	± 0.20
DRAWN BY	JA
DATE:	5/9/94
CHECK BY	AH
DATE:	5/10/94
APPR BY	SS
DATE:	5/10/94

Power Dynamics, Inc.
 Phone: 973 560-0019 Whippany, New Jersey Fax: 973 560-0076

PART: NORTH AMERICAN NEMA 5-15R; SINGLE SOCKET, V-SLOT TERMINALS

PD-15

SIZE: A
 SCALE: NTS

ALL DIMENSIONS FOR REFERENCE ONLY
 DIMENSIONS ARE IN MILLIMETERS

SHEET 1 of 1
 REV: C

6

5

4

3

2

1