

6

5

4

3

2

1

MATERIAL AND FINISH

Insulator: Thermoplastic, Black glass-filled UL-94V-0 rated  
Contacts: Brass, Tin plated

ELECTRICAL SPECIFICATIONS:

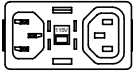
Current rating: 10 A  
Voltage rating: 250 VAC  
Current rating: 15 A  
Voltage rating: 250 VAC  
Insulation resistance: 100 Mohm min. at 500 VDC  
Dielectric withstanding voltage: 2000 VAC for one minute

ORDERING CODE:

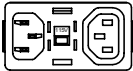
PD-44R04-     1-1  
                  1

1) MECHANICAL MOUNTING CONFIGURATION:

2 = SNAP-IN WITH VOLTAGE SELECTOR 115V AND 230VAC

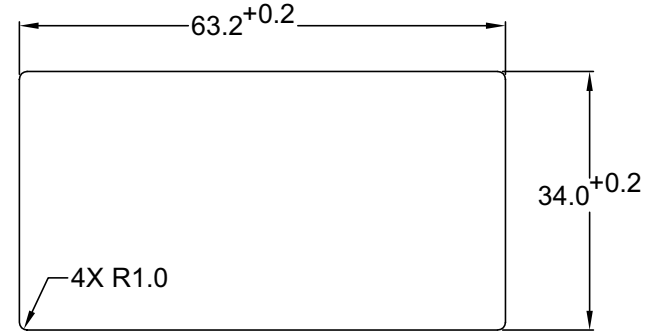
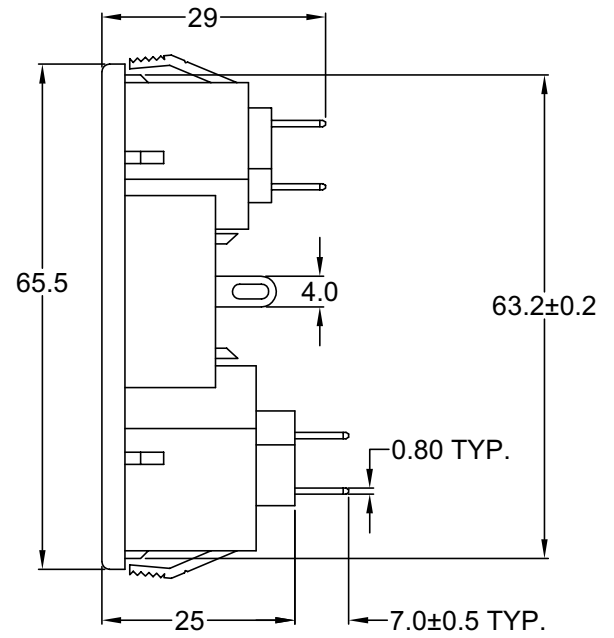
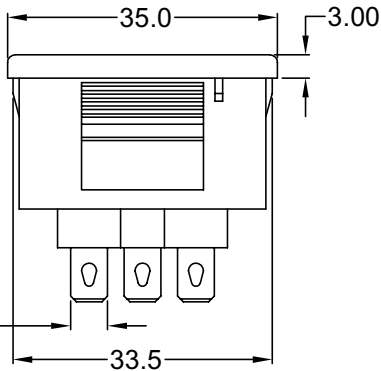
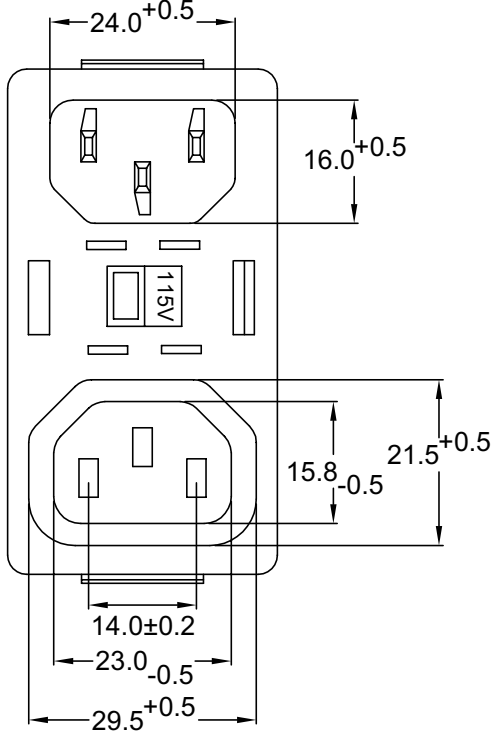


3 = SNAP-IN WITH VOLTAGE SELECTOR 110V AND 220VAC



NOTES:

Recommended panel thickness 0.8mm max. to 2.5mm max.



RECOMMENDED PANEL CUTOUT

Distributed by Electro-Stock, Inc. sales@electrostock.com  
630-682-1542 Fax 630-682-1562 http://www.electrostock.com

TOLERANCE UNLESS OTHERWISE SPECIFIED		
X	±	1
X.X	±	0.4
X.XX	±	0.20
DRAWN BY	GQ	DATE: 10/18/01
CHECK BY	TD	DATE: 11/01/01
APPR BY	PB	DATE: 11/02/01

**Power Dynamics, Inc.**

Phone: 973 560-0019 Whippany, New Jersey Fax: 973 560-0076

PART: UNIVERSAL IEC 60320 APPL. INLET & OUTLET; QC TERMINALS, SNAP-IN

PART #: PD-44R04-X1-1 SHEET 1 of 1

SIZE: A ALL DIMENSIONS FOR REFERENCE ONLY DIMENSIONS ARE IN MILLIMETERS REV:

D

C

B

A

6

5

4

3

2

1

REVISIONS	CHNG	CHK	APPR
REV	DATE	CHANGE	