




6 5 4 3 2 1

MATERIAL AND FINISH

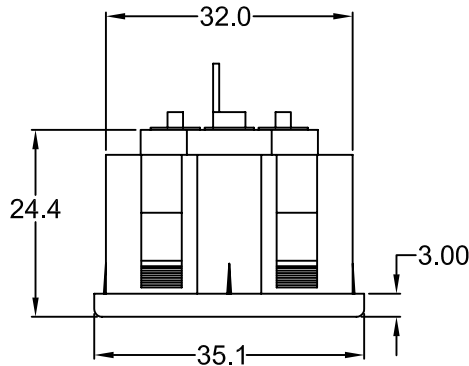
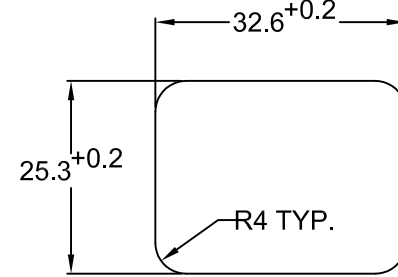
Insulator: Nylon 66, black, UL-94V-1 rated  
 Contacts: Brass, Tin plated

ELECTRICAL SPECIFICATIONS:

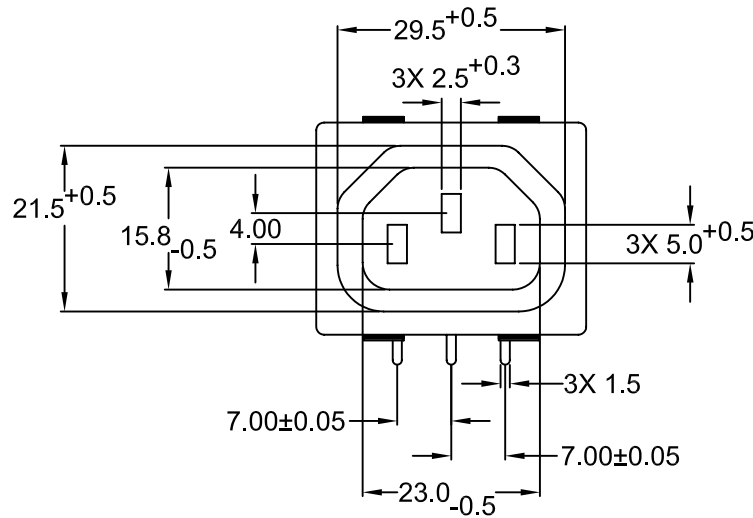
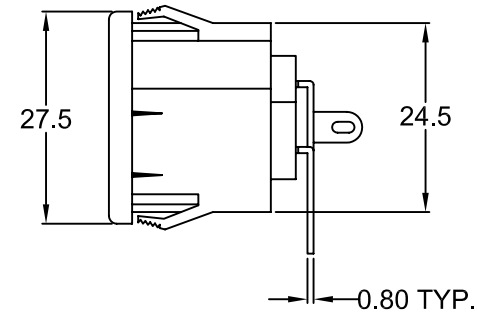
Current rating: 10 A   
 Voltage rating: 250 VAC  
 Current rating: 15 A   
 Voltage rating: 250 VAC   
 Insulation resistance: 100 Mohm min. at 500 VDC  
 Dielectric withstanding voltage: 2000 VAC for one minute

Operating Temperature: 70°C

NOTES:  
 Recommended panel thickness 0.8mm max. to 2.0mm max.

RECOMMENDED  
 PANEL CUTOUT

REVISIONS  
 CHANGE  
 DATE

Distributed by Electro-Stock, Inc. sales@electrostock.com  
 630-682-1542 Fax 630-682-1562 http://www.electrostock.com

TOLERANCE  
 UNLESS OTHERWISE SPECIFIED  
 X ± 1  
 X.X ± 0.4  
 X.XX ± 0.20

DRAWN BY	GQ	DATE:	10/22/01
CHECK BY		DATE:	
APPR BY		DATE:	

**Power Dynamics, Inc.**  
 Phone: 973 560-0019 Whippany, New Jersey Fax: 973 560-0076

PART: UNIVERSAL IEC 60320 APPL. OUTLET  
 PC TERMINALS; SNAP-IN

PART #: PD-43R09-11

SIZE: A  
 SCALE: NTS

ALL DIMENSIONS FOR REFERENCE ONLY  
 DIMENSIONS ARE IN MILLIMETERS

SHEET 1 of 1  
 REV:

6 5 4 3 2 1