

6

5

4

3

2

1

MATERIAL AND FINISH

Insulator: Nylon 66, black, UL-94V-1 rated
Contacts: Brass, Tin plated

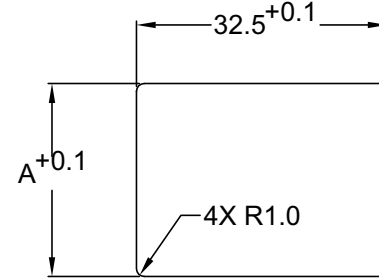
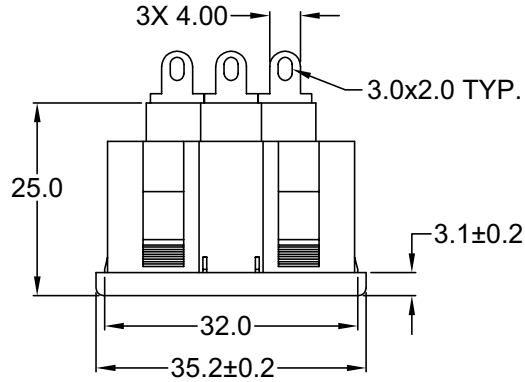
ELECTRICAL SPECIFICATIONS:

Current rating: 10 A
Voltage rating: 250 VAC
Current rating: 15 A
Voltage rating: 250 VAC
Insulation resistance: 100 Mohm min. at 500 VDC
Dielectric withstanding voltage: 2000 VAC for one minute

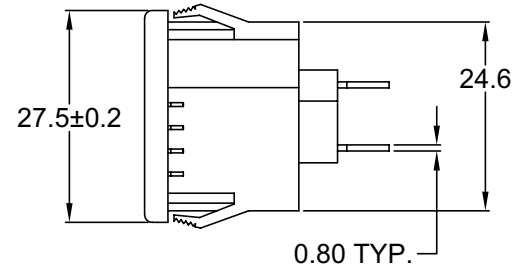
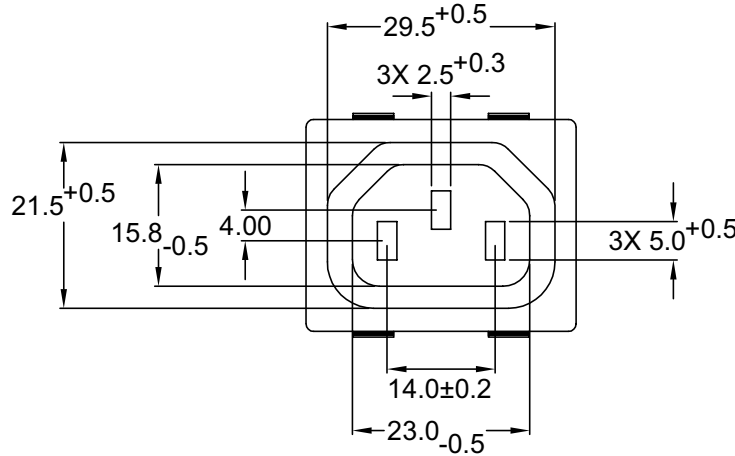
Operating Temperature: 70°C

NOTES:

Recommended panel thickness
0.8mm max. to 3.0mm max.



RECOMMENDED PANEL CUTOUT



Distributed by Electro-Stock, Inc. sales@electrostock.com
630-682-1542 Fax 630-682-1562 http://www.electrostock.com

PANEL THICKNESS	A
0.8 - 1.0	25.4
1.0 - 1.2	25.5
1.2 - 1.5	25.6
2.0	25.7
3.0	25.7

TOLERANCE UNLESS OTHERWISE SPECIFIED	
X	± 1
X.X	± 0.4
X.XX	± 0.20

DRAWN BY	BP	DATE:	3/8/00
CHECK BY	TD	DATE:	10/24/01
APPR BY	PB	DATE:	10/25/01

Power Dynamics, Inc.
Phone: 973 560-0019 Whippany, New Jersey Fax: 973 560-0076

PART: UVIVERSAL IEC 60320 C13 APPL. OUTLET;
SOLDER TERMINALS, SNAP-IN

PD-43R04-11

PART #: PD-43R04-11

SIZE: A

SCALE: NTS

ALL DIMENSIONS FOR REFERENCE ONLY
DIMENSIONS ARE IN MILLIMETERS

SHEET 1 of 1

REV: A

REV	DATE	CHANGE	REVISIONS	
			CHNG	CHK
A	10/23/01	REVISD / REDRAWN	GO	TD
			APPR	PB

6

5

4

3

2

1