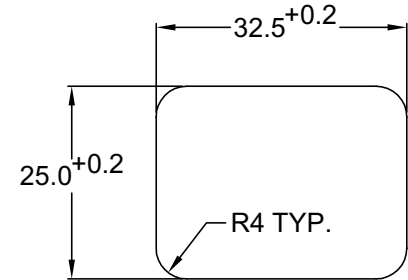
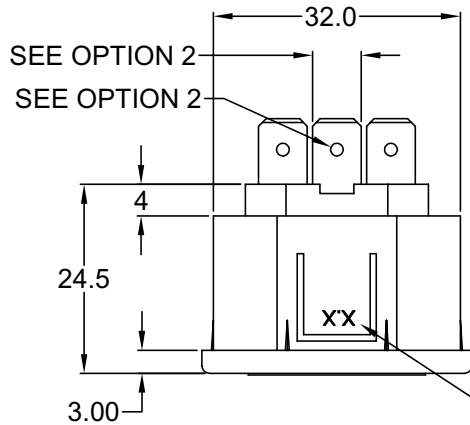


MATERIAL AND FINISH

Insulator: Polycarbonate, UL-94V-0 rated
Contacts: Brass

ELECTRICAL SPECIFICATIONS:

Current rating: 10 A/15 A
Voltage rating: 250 VAC
Insulation resistance: 100 Mohm min. at 500 VDC
Dielectric withstanding voltage: 2000 VAC for one minute



RECOMMENDED PANEL CUTOUT

REPLACE WITH CORRESPONDING PANEL THICKNESS

ORDERING CODE:

43R03-3
1 2 3 4

1) COLOR

- 1 = BLACK
- 2 = GRAY

2) TERMINAL OPTIONS

- 1 = .187(4.8) WITH Ø1.4
- 2 = .250(6.3) WITH Ø1.65

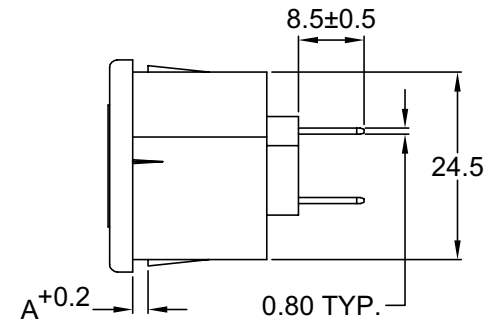
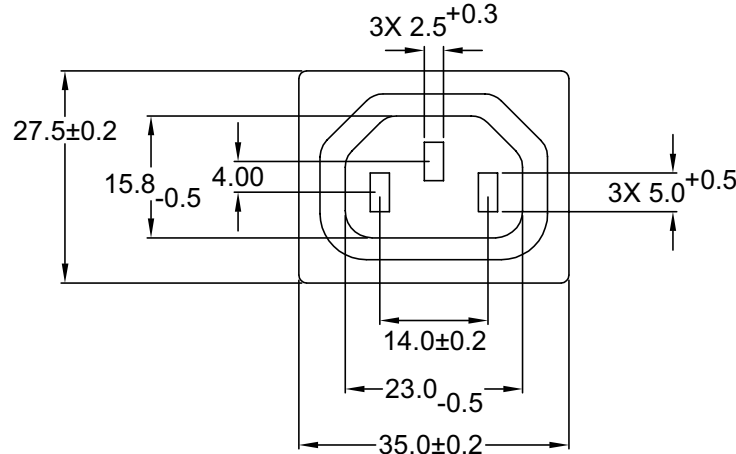
3) ELECTRICAL CIRCUIT CONFIGURATION

1 = 10A 250V 70°C [Icons: UL, S, D, S, N, 2+GROUND]

15A 250V 70°C [Icons: UL, S, N, 2+GROUND]

2 = 10A 250V 120°C [Icons: UL, S, N, 2+GROUND]

15A 250V 120°C [Icons: UL, S, N, 2+GROUND]



P/N	A	MAX. PANEL THICKNESS
43R03-3XXX-150	1.5	1.5
43R03-3XXX-200	2.0	2.0
43R03-3XXX-250	2.5	2.5

ADDITIONAL PANEL THICKNESS AVAILABLE ON REQUEST

Power Dynamics, Inc.

Phone: 973 560-0019 Whippany, New Jersey Fax: 973 560-0076

PART: 10A/15A IEC 60320 APPL. OUTLET; QC
TERMINALS; SNAP-IN, PANEL MOUNT

43R03-3XXX-XXX SHEET 1 of 1

SIZE: A ALL DIMENSIONS FOR REFERENCE ONLY
SCALE: NTS DIMENSIONS ARE IN MILLIMETERS REV:

TOLERANCE UNLESS OTHERWISE SPECIFIED	
X	± 1
X.X	± 0.4
X.XX	± 0.20

DRAWN BY	GQ	DATE:	10/05/01
CHECK BY	TD	DATE:	10/09/01
APPR BY	PB	DATE:	10/09/01

Distributed by Electro-Stock, Inc. sales@electrostock.com
630-682-1542 Fax 630-682-1562 http://www.electrostock.com

REV	DATE	CHANGE	CHNG	CHK	APPR