

6

5

4

3

2

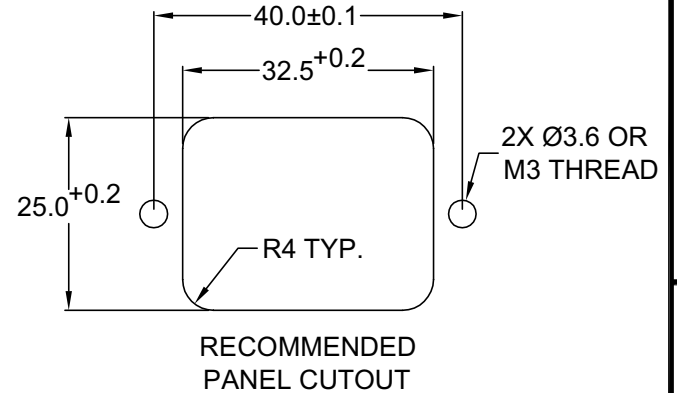
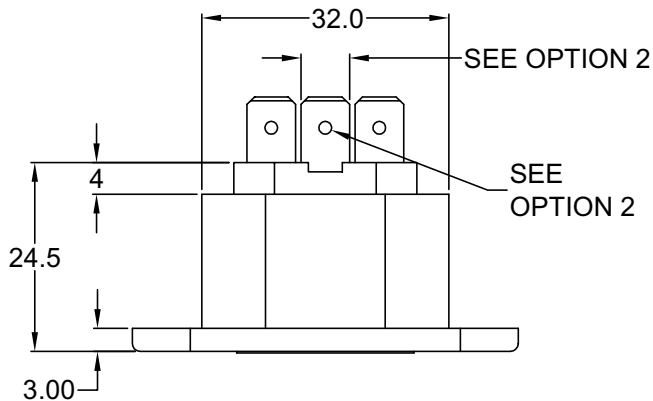
1

MATERIAL AND FINISH

Insulator: Polycarbonate, UL-94V-0 rated
Contacts: Brass

ELECTRICAL SPECIFICATIONS:

Current rating: 10 A/15 A
Voltage rating: 250 VAC
Insulation resistance: 100 Mohm min. at 500 VDC
Dielectric withstanding voltage: 2000 VAC for one minute



ORDERING CODE:

43R03-1 1 2 3

1) COLOR

- 1 = BLACK
- 2 = GRAY

2) TERMINAL OPTIONS

- 1 = .187(4.8) WITH Ø1.4
- 2 = .250(6.3) WITH Ø1.65

3) ELECTRICAL CIRCUIT CONFIGURATION

1 = 10A 250V 70°C



15A 250V 70°C



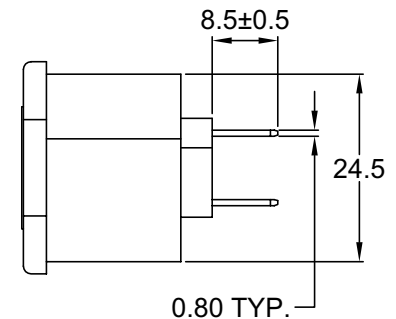
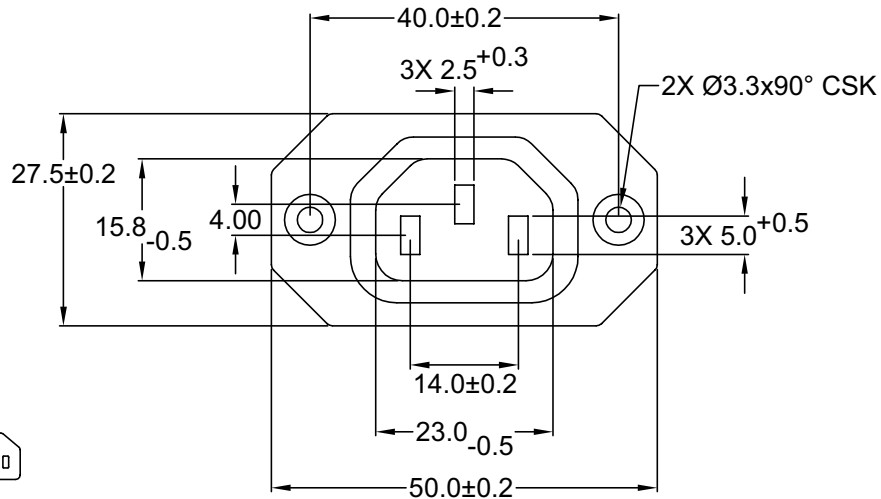
2+GROUND

2 = 10A 250V 120°C

15A 250V 120°C



2+GROUND



REVISIONS	CHNG	CHECK	APPR
	DATE	CHANGE	

Distributed by Electro-Stock, Inc. sales@electrostock.com
630-682-1542 Fax 630-682-1562 http://www.electrostock.com

TOLERANCE UNLESS OTHERWISE SPECIFIED		
X	±	1
X.X	±	0.4
X.XX	±	0.20
DRAWN BY	GQ	DATE: 10/05/01
CHECK BY	TD	DATE: 10/09/01
APPR BY	PB	DATE: 10/09/01

Power Dynamics, Inc.

Phone: 973 560-0019 Whippany, New Jersey Fax: 973 560-0076

PART: 10A/15A IEC 60320 APPL. OUTLET; QC
TERMINALS; SIDE FLANGE, PANEL MOUNT

PART #: 43R03-1XXX		SHEET 1 of 1
SIZE: A	ALL DIMENSIONS FOR REFERENCE ONLY DIMENSIONS ARE IN MILLIMETERS	REV:
SCALE: NTS		

6

5

4

3

2

1