

6

5

4

3

2

1

### MATERIAL AND FINISH

Insulator: Polycarbonate, UL-94V-0 rated  
Contacts: Brass, Nickel plated

### ELECTRICAL SPECIFICATIONS:

Current rating: 10 A  
Voltage rating: 250 VAC  
Insulation resistance: 100 Mohm min. at 500 VDC  
Dielectric withstanding voltage: 2000 VAC for one minute

### ORDERING CODE:

42R38-3  $\frac{1}{1}$  -  $\frac{1}{2}$  -  $\frac{1}{3}$

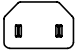
### 1) COLOR

- 1 = BLACK
- 2 = GRAY

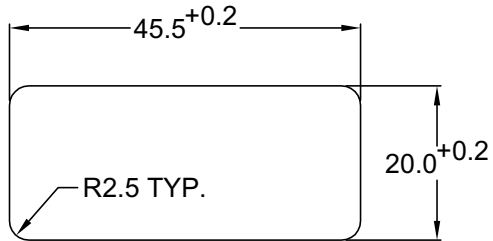
### 2) ELECTRICAL CIRCUIT CONFIGURATION

1 = 10A 250V 70°C  
2+GROUND 

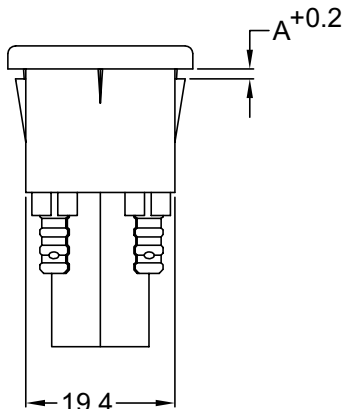
2 = 10A 250V 120°C  
2+GROUND 

4 = 10A 250V 70°C  
2 POLE 

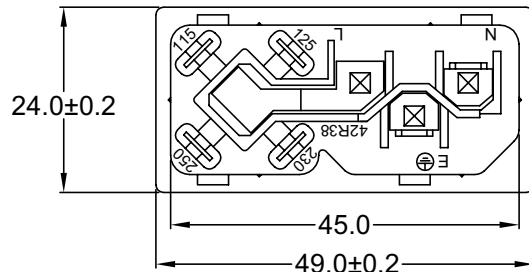
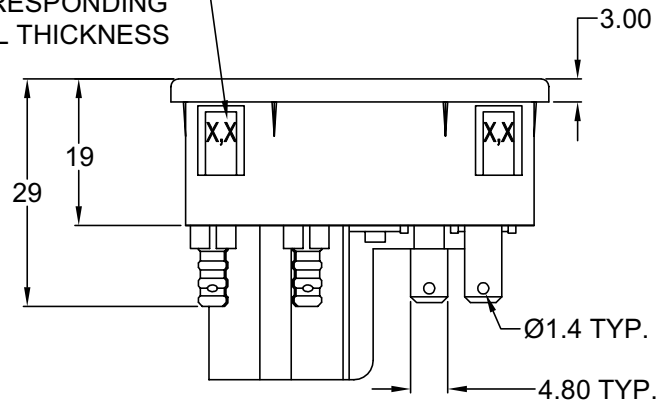
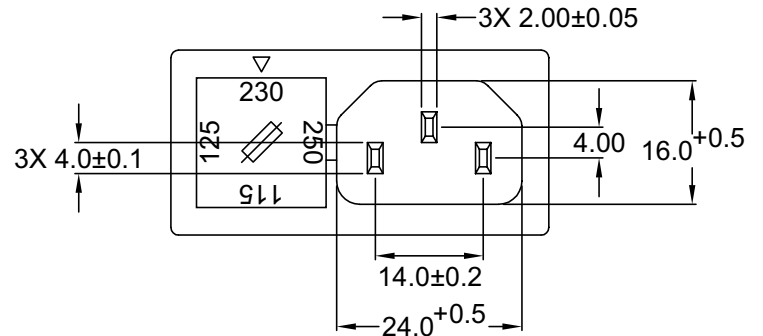
### 3) PANEL THICKNESS



RECOMMENDED PANEL CUTOUT



REPLACE WITH CORRESPONDING PANEL THICKNESS



Distributed by Electro-Stock, Inc. sales@electrostock.com  
630-682-1542 Fax 630-682-1562 http://www.electrostock.

REV	DATE	CHNG	CHECK	APPR

P/N	A	MAX. PANEL THICKNESS
42R38-3X1X-150	1.5	1.5
42R38-3X1X-200	2.0	2.0
42R38-3X1X-250	2.5	2.5

ADDITIONAL PANEL THICKNESS AVAILABLE ON REQUEST

TOLERANCE UNLESS OTHERWISE SPECIFIED			
X	± 1		
X.X	± 0.4		
X.XX	± 0.20		
DRAWN BY	GQ	DATE:	09/17/01
CHECK BY	TD	DATE:	09/18/01
APPR BY	PB	DATE:	09/18/01

**Power Dynamics, Inc.**

Phone: 973 560-0019 Whippany, New Jersey Fax: 973 560-0076

PART: IEC 60320 APPL. INLET AND COMBINATION FUSE HOLDER; QC TERMINALS; SNAP-IN

42R38-3X1X-XXX SHEET 1 of 1

SCALE: NTS ALL DIMENSIONS FOR REFERENCE ONLY DIMENSIONS ARE IN MILLIMETERS REV:

6

5

4

3

2

1

6

5

4

3

2

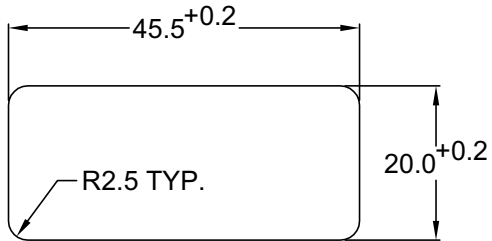
1

### MATERIAL AND FINISH

Insulator: Polycarbonate, UL-94V-0 rated  
Contacts: Copper, Tin plated

### ELECTRICAL SPECIFICATIONS:

Current rating: 10 A  
Voltage rating: 250 VAC  
Insulation resistance: 100 Mohm min. at 500 VDC  
Dielectric withstanding voltage: 2000 VAC for one minute



RECOMMENDED PANEL CUTOUT

### ORDERING CODE:

42R38-3  $\frac{2}{1}$   $\frac{2}{2}$  -  $\frac{3}{3}$

#### 1) COLOR

- 1 = BLACK
- 2 = GRAY

#### 2) ELECTRICAL CIRCUIT CONFIGURATION

1 = 10A 250V 70°C  
2+GROUND



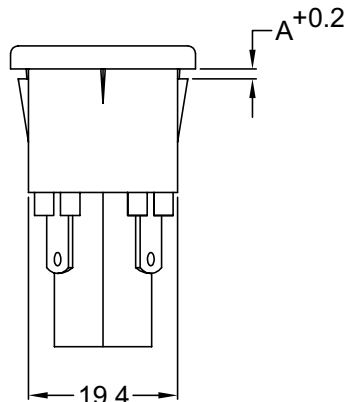
2 = 10A 250V 120°C  
2+GROUND



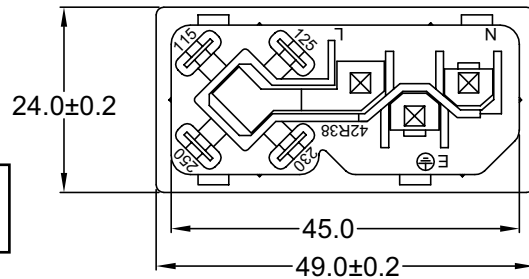
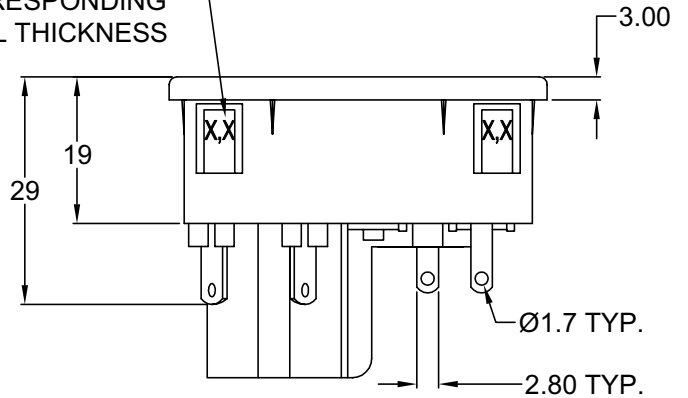
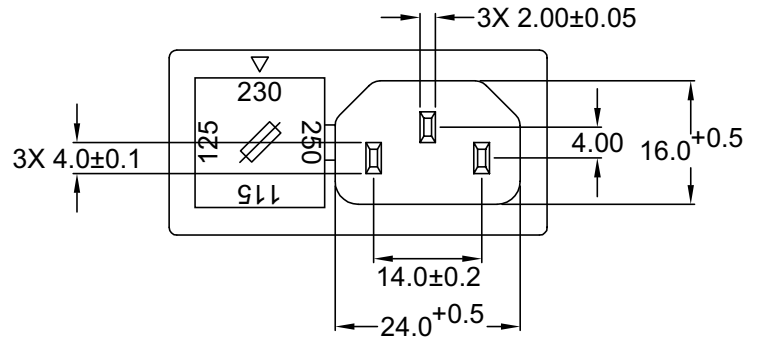
4 = 10A 250V 70°C  
2 POLE



#### 3) PANEL THICKNESS



REPLACE WITH CORRESPONDING PANEL THICKNESS



Distributed by Electro-Stock, Inc. sales@electrostock.com  
630-682-1542 Fax 630-682-1562 http://www.electrostock.com

REV	DATE	CHANGE	CHNG	CHK	APPR

P/N	A	MAX. PANEL THICKNESS
42R38-3X2X-150	1.5	1.5
42R38-3X2X-200	2.0	2.0
42R38-3X2X-250	2.5	2.5

ADDITIONAL PANEL THICKNESS AVAILABLE ON REQUEST

TOLERANCE UNLESS OTHERWISE SPECIFIED			
X	± 1		
X.X	± 0.4		
X.XX	± 0.20		
DRAWN BY	GQ	DATE:	09/17/01
CHECK BY	TD	DATE:	09/18/01
APPR BY	PB	DATE:	09/18/01

## Power Dynamics, Inc.

Phone: 973 560-0019 Whippany, New Jersey Fax: 973 560-0076

PART: IEC 60320 APPL. INLET AND COMBINATION FUSE HOLDER; SOLDER TERMINALS; SNAP-IN

**42R38-3X2X-XXX** SHEET 1 of 1

SCALE: NTS ALL DIMENSIONS FOR REFERENCE ONLY DIMENSIONS ARE IN MILLIMETERS REV:

6

5

4

3

2

1