

6

5

4

3

2

1

MATERIAL AND FINISH

Insulator: Polycarbonate, UL-94V-0 rated
Contacts: Brass, Nickel plated

ELECTRICAL SPECIFICATIONS:

Current rating: 10 A
Voltage rating: 250 VAC
Current rating: 15 A
Voltage rating: 250 VAC



ORDERING CODE:

42R03-8 $\frac{2}{1}$ $\frac{2}{2}$

1) COLOR

1 = BLACK
2 = GRAY

2) ELECTRICAL CIRCUIT CONFIGURATION

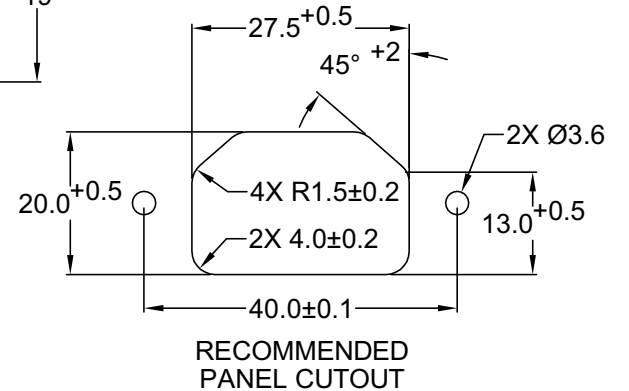
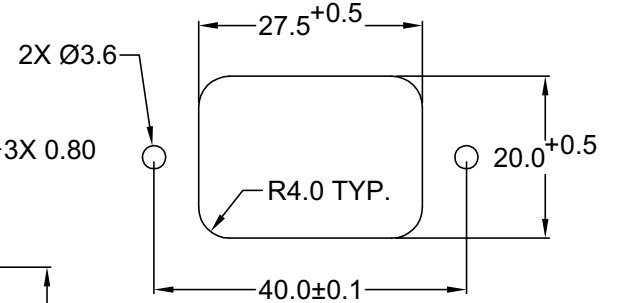
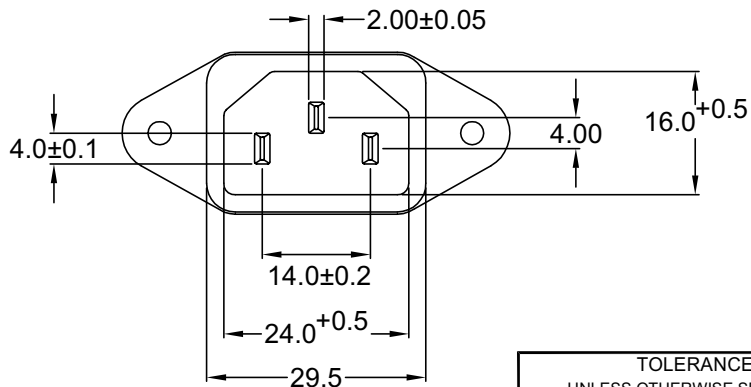
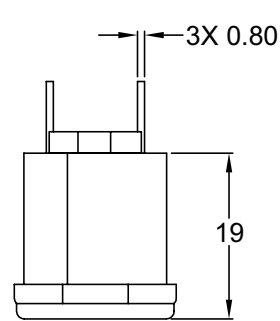
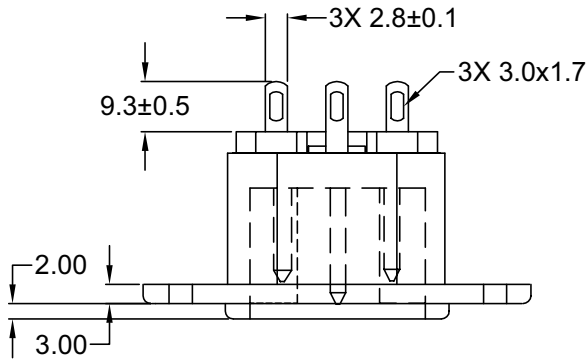
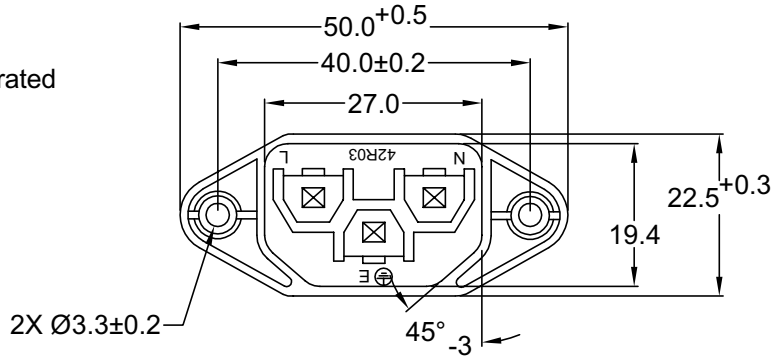
1 = 15A 250V 120°C
2+GROUND



2 = 15A 250V 70°C
2+GROUND



4 = 15A 250V 70°C
2 POLE



Distributed by Electro-Stock, Inc. sales@electrostock.com
630-682-1542 Fax 630-682-1562 http://www.electrostock.com

TOLERANCE UNLESS OTHERWISE SPECIFIED		
X	±	1
X.X	±	0.4
X.XX	±	0.20
DRAWN BY	GQ	DATE: 08/17/01
CHECK BY	TD	DATE: 08/20/01
APPR BY	PB	DATE: 08/21/01

Power Dynamics, Inc.

Phone: 973 560-0019 Whippany, New Jersey Fax: 973 560-0076

PART: IEC 60320 C14 APPL. INLET; SOLDER
TERMINALS; SIDE FLANGE

42R03-8X2X

SHEET
1 of 1

SCALE: NTS ALL DIMENSIONS FOR REFERENCE ONLY
DIMENSIONS ARE IN MILLIMETERS

REV:

D

C

B

A

6

5

4

3

2

1

REV	DATE	CHANGE	CHNG	CHK	APPR