

6

5

4

3

2

1

MATERIAL AND FINISH

Insulator: Polycarbonate, UL-94V-0 rated
Contacts: Brass, Nickel plated

ELECTRICAL SPECIFICATIONS:

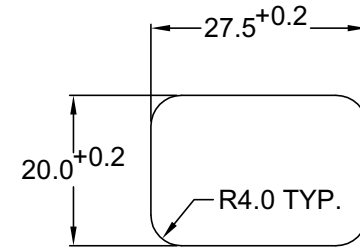
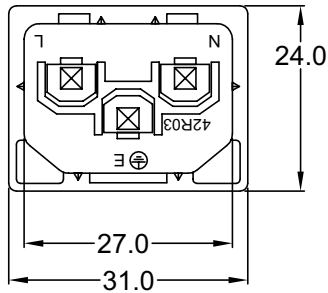
Current rating: 10 A

Voltage rating: 250 VAC



Current rating: 15 A

Voltage rating: 250 VAC



RECOMMENDED PANEL CUTOUT

ORDERING CODE:

42R03-3 $\frac{2}{1}$ $\frac{2}{2}$ - $\frac{3}{3}$

1) COLOR

- 1 = BLACK
- 2 = GRAY

2) ELECTRICAL CIRCUIT CONFIGURATION

1 = 15A 250V 120°C
2+GROUND



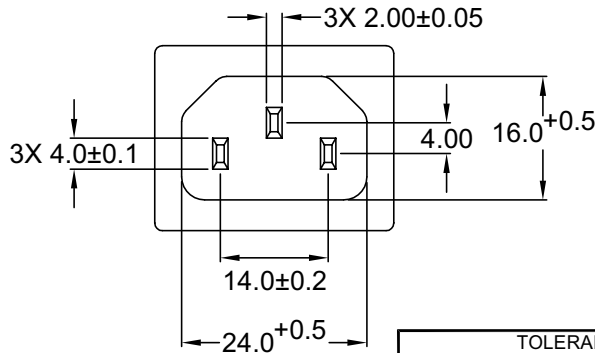
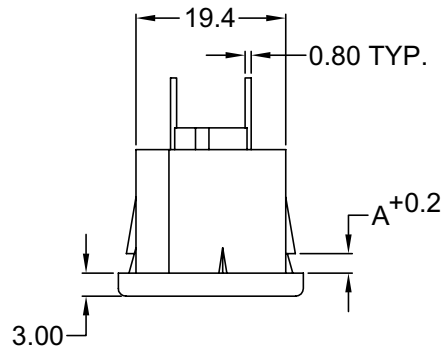
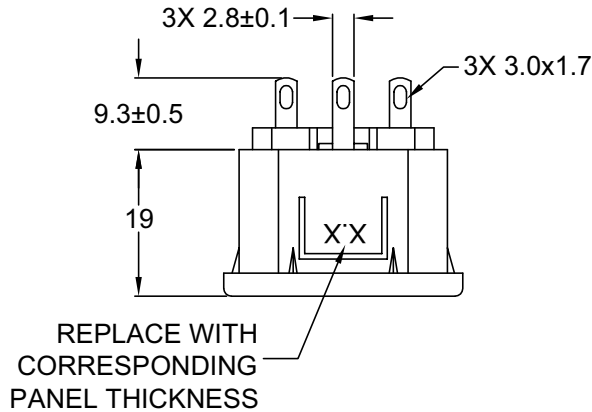
2 = 15A 250V 70°C
2+GROUND



4 = 15A 250V 70°C
2 POLE



3) PANEL THICKNESS



P/N	A	MAX. PANEL THICKNESS
42R03-3X2X-150	1.5	1.5
42R03-3X2X-200	2.0	2.0
42R03-3X2X-250	2.5	2.5

ADDITIONAL PANEL THICKNESS AVAILABLE ON REQUEST

Power Dynamics, Inc.

Phone: 973 560-0019 Whippany, New Jersey Fax: 973 560-0076

PART: IEC 60320 APPL. INLET; SOLDER TERMINALS; SNAP-IN

42R03-3X2X-XXX

SHEET 1 of 1

TOLERANCE UNLESS OTHERWISE SPECIFIED		
X	±	1
X.X	±	0.4
X.XX	±	0.20

DRAWN BY	GQ	DATE:	09/12/01
CHECK BY	TD	DATE:	09/17/01
APPR BY	PB	DATE:	09/17/01

SIZE: A SCALE: NTS ALL DIMENSIONS FOR REFERENCE ONLY DIMENSIONS ARE IN MILLIMETERS

REV:

Distributed by Electro-Stock, Inc. sales@electrostock.com
630-682-1542 Fax 630-682-1562 http://www.electrostock.com

REV	DATE	CHANGE	CHNG	CHK	APPR

6

5

4

3

2

1