

# PBH Series

16/20A HIGH CURRENT, SNAP-IN/FLANGE MOUNT FILTER WITH IEC 60320 AC INLET SOCKET.



## FEATURES

The PBH series offers filters for application that have high current (16/20A) requirements. The filters are available with different configurations of components and termination styles. These filters are available in flange mount and snap-in type. The medical grade filters offer excellent performance with maximum leakage current of 2 $\mu$ A at 120VAC, 60Hz.

A ground choke can be added to enhance the grounding ability of the circuit. A bleeder resistor can also be added to prevent excessive voltages from developing across the filter capacitors when there is no load.

## APPLICATIONS

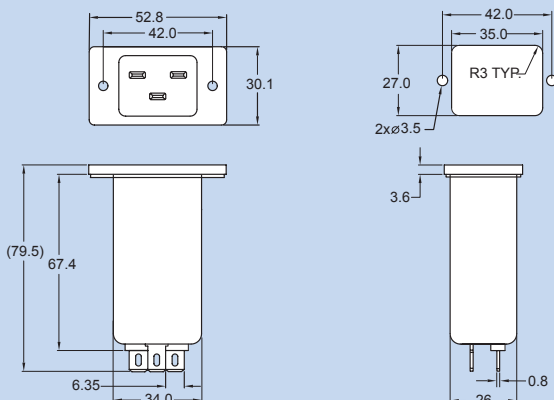
Computer & networking equipment, Measuring & control equipment, Data processing equipment, laboratory instruments, Switching power supplies, other electronic equipment.

## TECHNICAL DATA

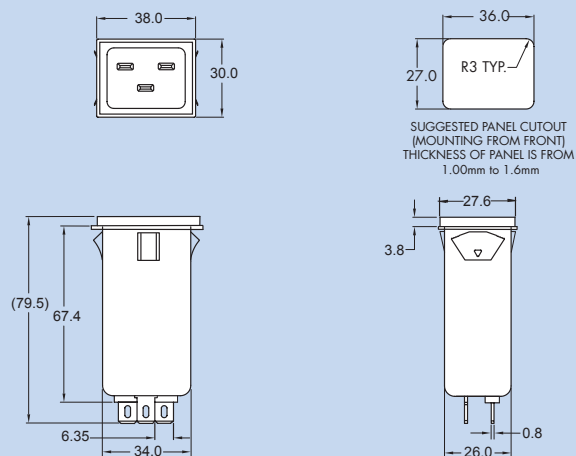
- Rated Voltage: 115/250VAC
  - Rated Current: 16A, 20A
  - Power Line Frequency: 50/60Hz
  - Max. Leakage Current each Line to Ground:
    - @ 115VAC 60Hz: 0.25mA
    - @ 250VAC 50Hz: 0.50mA
    - @ 115VAC 60Hz: 2 $\mu$ A\*
    - @ 250VAC 50Hz: 5 $\mu$ A\*
  - Hipot Rating (one minute)
    - Line to Ground: 2250VDC
    - Line to Line: 1450VDC
  - Temperature Range: -25C to +85C
- + SEMKO, VDE approved to 16A  
\* Medical application

## MECHANICAL DIMENSIONS (Unit: mm)

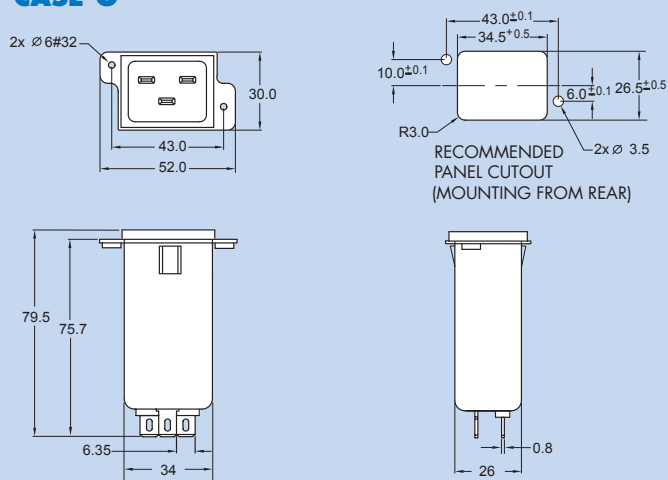
### CASE F



### CASE U




### CASE O

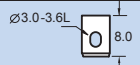
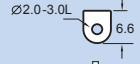



Specifications subject to change without notice. Dimensions (mm). See Appendix A for recommended power cord. See PDI full line catalog for detailed specifications on power cords.

# PBH Series Example & Ordering Code

**PBH 20 Q - 60 - 1 C U**

CURRENT RATING (A):  = 16  
= 20

TERMINAL:  
6.3/0.25  QUICK CONNECT = Q  
4.0/0.187  SOLDER = S  
UL 1015, 18AWG STRANDED, 4"  WIRE = W

OPTIONS:  
NO BLEEDER RESISTOR & NO GROUND CHOKE = 00  
BLEEDER RESISTOR (1W, 1M) = 60  
BLEEDER RESISTOR (1W, 1M) & GROUND CHOKE = 80  
GROUND CHOKE (100µH) = 90

COMPONENT LOCATIONS:  
STANDARD TYPE = 1  
WITHOUT C(X); C(Y) ONLY = 2+  
C(X) & C(Y) BEHIND L = 3+  
WITHOUT C(Y); C(X) ONLY = 1M  
WITHOUT C(Y); C(X) BEHIND L = 2M+

ATTENUATION CODE TABLE:

**Non-Medical applications**, select Attenuation code with corresponding component values from the table.

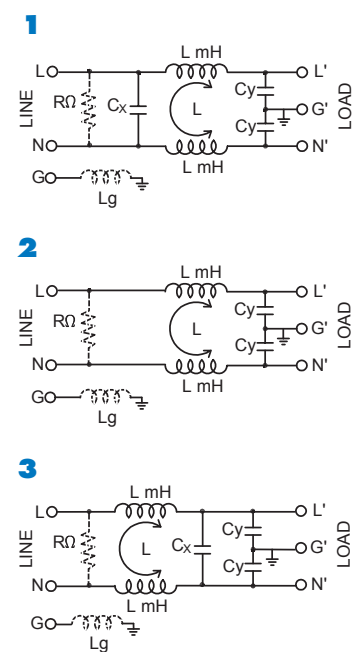
Case Code	Cap. Cx (µF)	Cap. Cy (pF)	20A (mH)	
F,O,U	0.1	2200	0.5	= A
F,O,U	0.1	3300	0.5	= B
F,O,U	0.33	2200	0.5	= C

**Medical applications**, select Attenuation code with corresponding component values from the table.

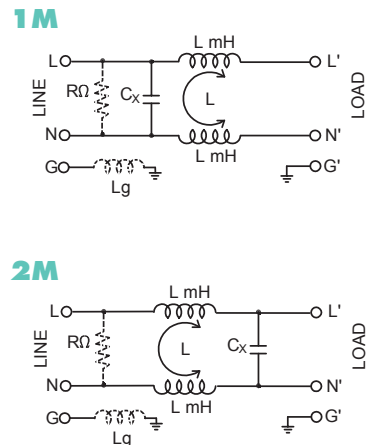
Case Code	Cap. Cx (µF)	16/20A (mH)	
F,O,U	0.1	0.5	= M1
F,O,U	0.33	0.5	= M2

CASE CODE:  
FLANGE MOUNT = F  
SNAP-IN TABS - SIDE = U  
REAR PANEL MOUNT = O

## SCHEMATICS



## MEDICAL SCHEMATICS



\*Contact PDI for attenuation numbers

## Non-Medical Applications\*

Insertion loss in dB (50 Ohm circuit)

Attenuation Code	Comm. Mode(L-G) in MHz					Diff. Mode(L-L) in MHz				
	.15	.5	1	5	10 30	.15	.5	1	5	10 30
A	17	22	26	43	51 43	8	18	24	45	43 35
B	17	23	28	47	57 45	8	18	23	51	54 34
C	17	22	26	43	51 43	18	28	33	46	53 35

\*This table applies to schematic 1 only. Visit our website or contact PDI for other schematic attenuation numbers.

## Medical Applications\*

Insertion loss in dB (50 Ohm circuit)

Attenuation Code	Comm. Mode(L-G) in MHz					Diff. Mode(L-L) in MHz				
	.15	.5	1	5	10 30	.15	.5	1	5	10 30
M1	16	21	22	24	25 20	8	18	25	42	43 30
M2	16	20	22	24	25 20	17	28	33	41	40 31

\*This table applies to schematic 1M only. Visit our website or contact PDI for other schematic attenuation numbers.



Distributed by Electro-Stock, Inc. sales@electrostock.com  
630-682-1542 Fax 630-682-1562 http://www.electrostock.com