

6

5

4

3

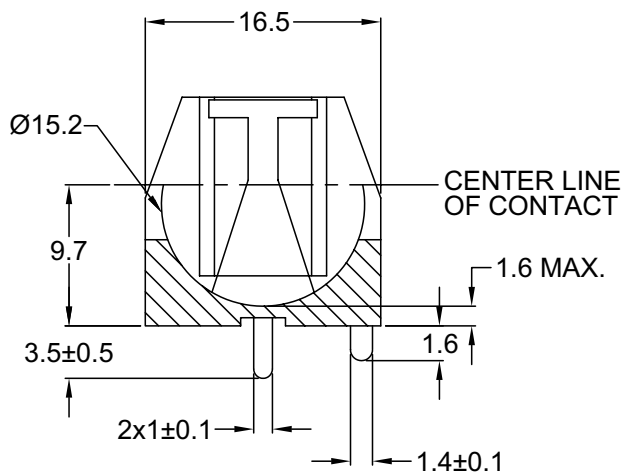
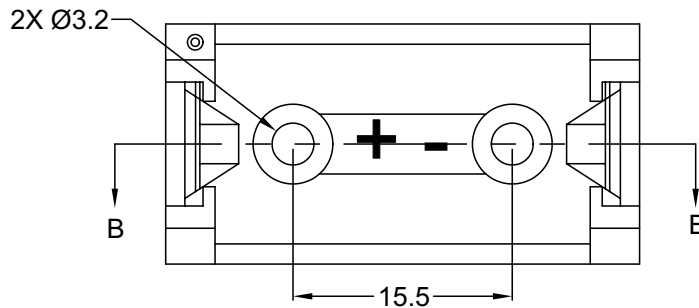
2

1

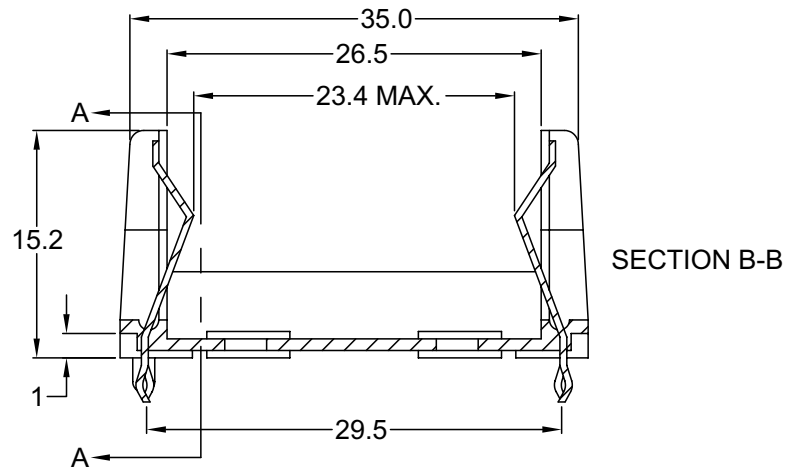
MATERIAL AND FINISH

Housing: PBT, Valox 420-SEO, UL-94V-0 rated,
color black
Contacts: Phosphor Bronze, 150µ" Tin/Lead over
50µ" Nickel Plated

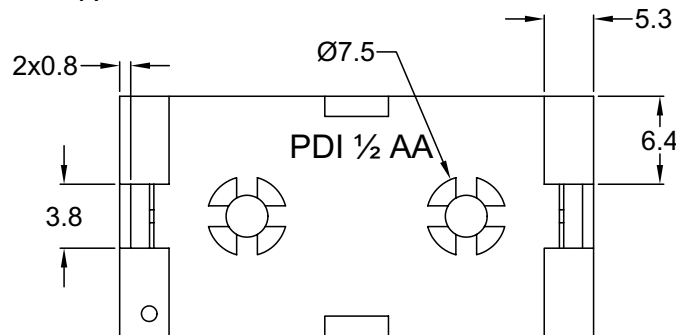
MECHANICAL SPECIFICATIONS:
Contact retention: 7 lbF. min.



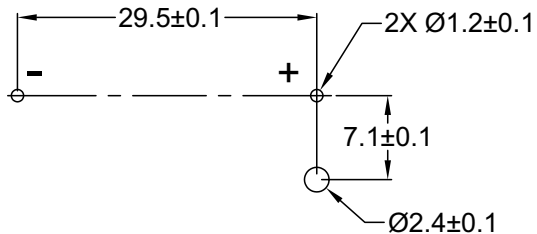
SECTION A-A



SECTION B-B



Distributed by Electro-Stock, Inc. sales@electrostock.com
630-682-1542 Fax 630-682-1562 http://www.electrostock.com



RECOMMENDED
PCB LAYOUT

TOLERANCE UNLESS OTHERWISE SPECIFIED	
X	± 1
X.X	± 0.4
X.XX	± 0.20

Power Dynamics, Inc.
Phone: 973 560-0019 Whippany, New Jersey Fax: 973 560-0076

PART: 1/2 AA BATTERY HOLDER
PCB MOUNT

DRAWN BY	TD	DATE:	4/21/99
CHECK BY	PJ	DATE:	4/26/99
APPR BY	SS	DATE:	4/26/99

PART #: **PDI-1/2 AA**
SIZE: A
SCALE: NTS
ALL DIMENSIONS FOR REFERENCE ONLY
DIMENSIONS ARE IN MILLIMETERS

SHEET
1 of 1
REV: A

D

C

B

A

6

5

4

3

2

1

6

5

4

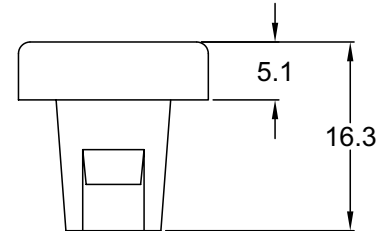
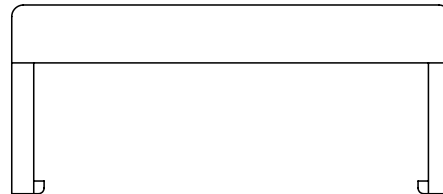
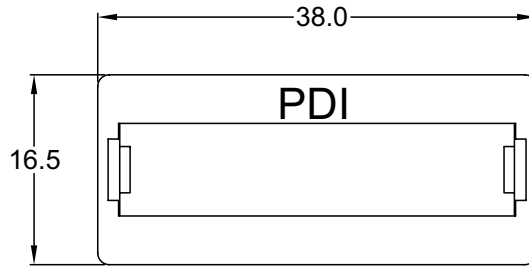
3

2

1

MATERIAL AND FINISH

ABS, black, UL-94V-HB rated



Distributed by Electro-Stock, Inc. sales@electrostock.com
 630-682-1542 Fax 630-682-1562 http://www.electrostock.com

TOLERANCE UNLESS OTHERWISE SPECIFIED		
	X	± 1
	X.X	± 0.4
	X.XX	± 0.20
DRAWN BY	GQ	DATE: 02/26/02
CHECK BY	TD	DATE: 03/04/02
APPR BY	PB	DATE: 03/05/02

Power Dynamics, Inc.
 Phone: 973 560-0019 Whippany, New Jersey Fax: 973 560-0076

PART: BATTERY COVER
 FOR PDI-1/2AA

PDI-1/2 AAC		SHEET 1 of 1
PART #:	SIZE: A	ALL DIMENSIONS FOR REFERENCE ONLY DIMENSIONS ARE IN MILLIMETERS
SCALE: NTS	REV:	

REVISIONS	CHANGE	CHKG	CHKD	APPR
REV	DATE			

6

5

4

3

2

1