

6

5

4

3

2

1

MATERIAL AND FINISH

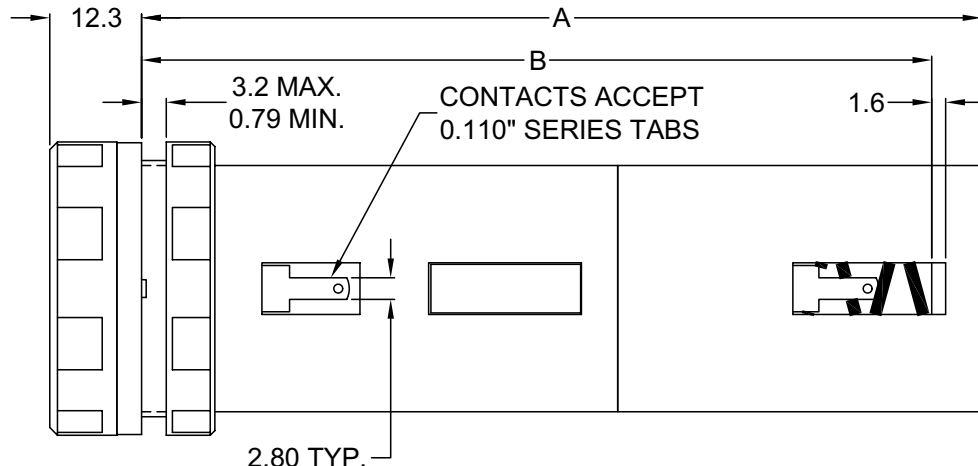
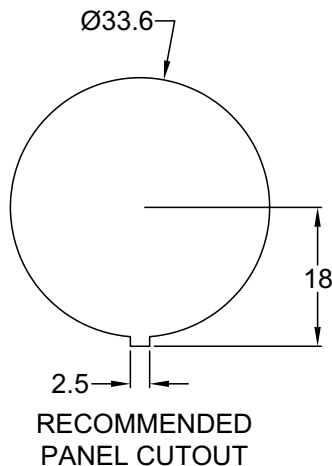
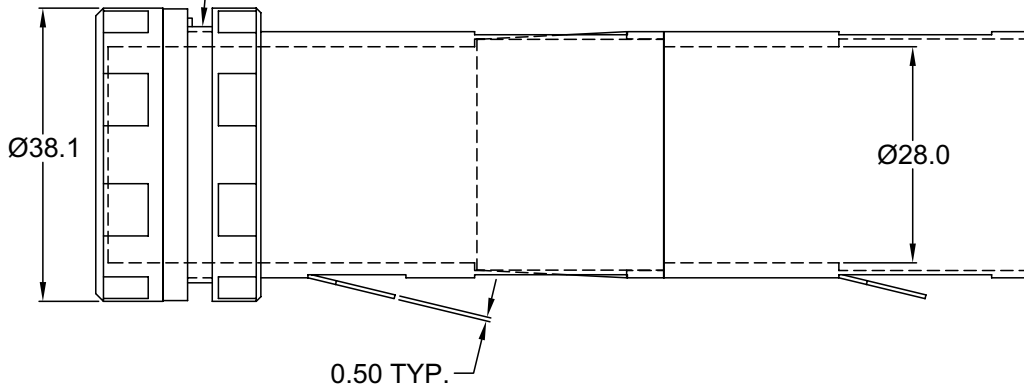
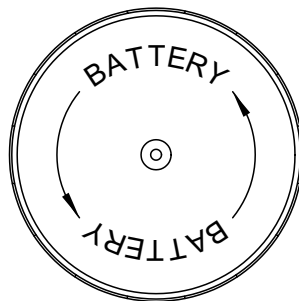
Insulator: Nylon, color black, UL-94V-0 rated
 Cap & knurled ring: Glass filled Nylon, color black, UL-94-HB rated
 Contact: Brass, Tin plated
 Spring: Stainless Steel
 End plate: S.R.B.F

ENVIRONMENTAL

Operating temperature: -30°C to +70°C

Distributed by Electro-Stock, Inc. sales@electrostock.com
 630-682-1542 Fax 630-682-1562 http://www.electrostock.com

Ø1.312"x26 TPI WHIT FORM
 MEDIUM FIT TO BS84



REVISIONS	CHANGE	CHNG	CHK	APPR			
	ADD INSIDE Ø DIM	TD	JJ	SS			
	ADD THRD SPEC, REV, P/N	TD	JJ	PB			
	REVISED / UPDATED	GQ	TD	PB			
REV	DATE						
A	10/99						
B	3/24/00						
C	03/14/02						

P/N	A±1.0	B±1.0
B1/1 (1 CELL)	62.0	54.1
B2/1 (2 CELLS)	109.5	103.0
B3/1 (3 CELLS)	157.5	151.2
B4/1 (4 CELLS)	203.5	197.0
B5/1 (5 CELLS)	251.0	245.0

TOLERANCE UNLESS OTHERWISE SPECIFIED	
X ± 1	
X.X ± 0.4	
X.XX ± 0.20	
DRAWN BY TD	DATE: 10/18/99
CHECK BY JJ	DATE: 10/19/99
APPR BY SS	DATE: 10/19/99

Power Dynamics, Inc.
 Phone: 973 560-0019 Whippany, New Jersey Fax: 973 560-0076

PART: C SIZE BATTERY HOLDER,
 PANEL MOUNT

BX/1

SIZE: A
 SCALE: NTS

ALL DIMENSIONS FOR REFERENCE ONLY
 DIMENSIONS ARE IN MILLIMETERS

SHEET 1 of 1
 REV: C

6

5

4

3

2

1