

6

5

4

3

2

1

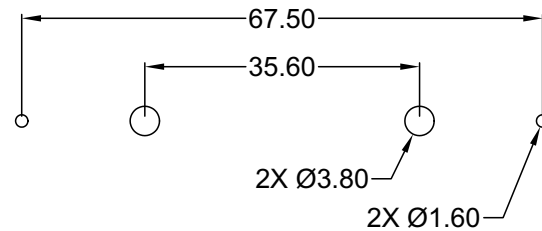
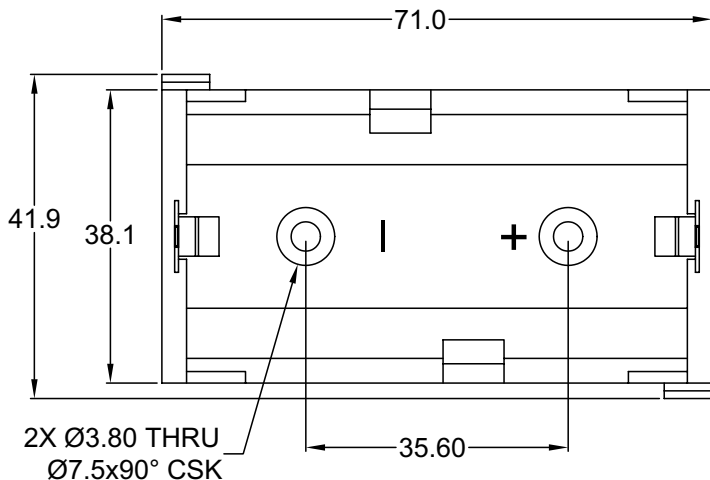
MATERIAL AND FINISH

Insulator: Glass filled Nylon, black,
UL-94-HB rated
Contacts: Clean Nickel Silver

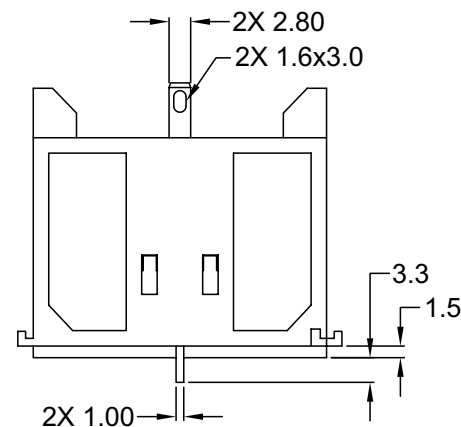
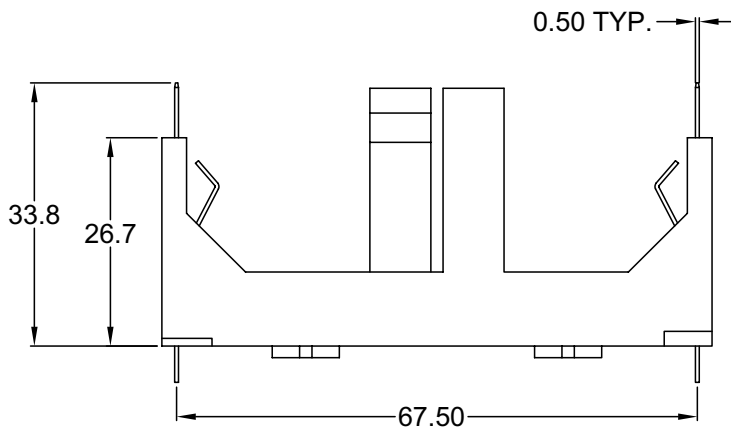
ENVIRONMENTAL

Operating temperature: -30°C TO +70°C

Distributed by Electro-Stock, Inc. sales@electrostock.com
630-682-1542 Fax 630-682-1562 http://www.electrostock.com



RECOMMENDED
PCB LAYOUT



REVISIONS	CHANGE	CHNG	CHK	APPR
	REVISED / UPDATED	GO	TD	PB
	DATE	03/15/02		
REV	A			

TOLERANCE UNLESS OTHERWISE SPECIFIED	
X	± 1
X.X	± 0.4
X.XX	± 0.20
DRAWN BY	PB
DATE:	11/20/01
CHECK BY	TD
DATE:	11/20/01
APPR BY	
DATE:	

Power Dynamics, Inc.
 Phone: 973 560-0019 Whippany, New Jersey Fax: 973 560-0076

PART: 1 CELL D (R20) BATTERY HOLDER
 INTERLOCKING; PCB / BASEBOARD MOUNT

B37

SIZE: A
 SCALE: NTS

ALL DIMENSIONS FOR REFERENCE ONLY
 DIMENSIONS ARE IN MILLIMETERS

SHEET 1 of 1
 REV: A

6

5

4

3

2

1