

6

5

4

3

2

1

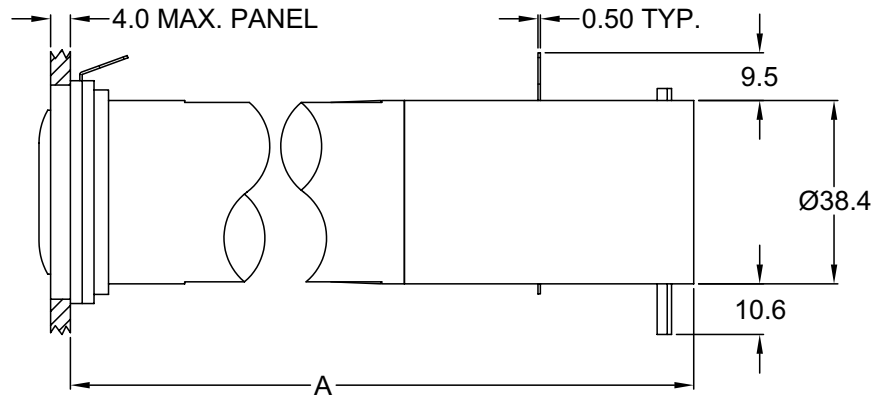
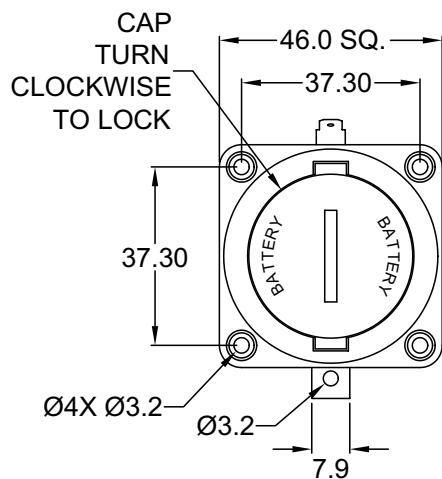
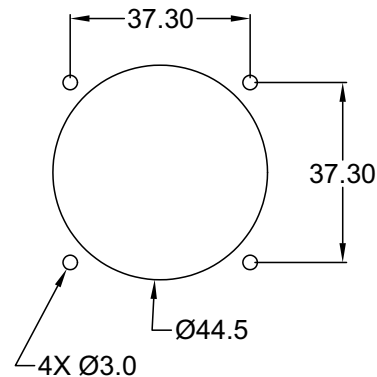
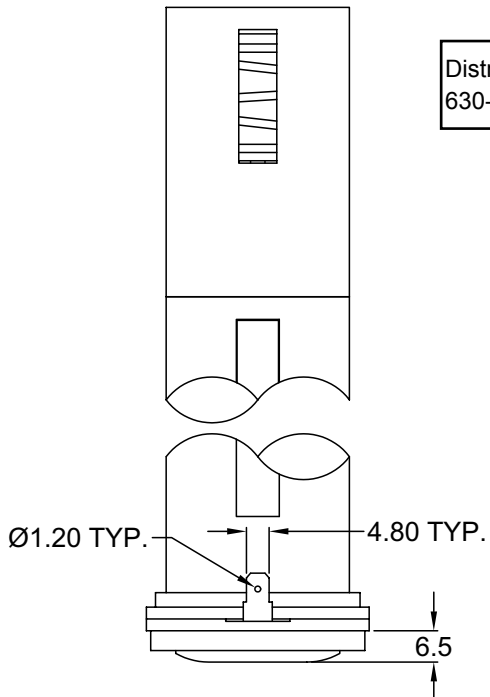
MATERIAL AND FINISH

Front flange: Polycarbonate, black,
UL-94V-0 rated
Body: Nylon, black, UL-94V-0 rated
Cap: Glass filled Nylon, UL-94-HB rated
Contact: Brass, Nickel plated
End plate: S.R.B.F
End plate support: Steel, Nickel plated
Spring: Spring Steel

ENVIRONMENTAL

Operating temperature: -30°C to +70°C

Distributed by Electro-Stock, Inc. sales@electrostock.com
630-682-1542 Fax 630-682-1562 http://www.electrostock.com



REV	DATE	CHANGE	CHNG CHCK APPR			
			SS	TD	PB	PB
A	12/20/00	REVISED AND REDRAWN	SS	TD	PB	PB
B	8/15/01	ADD MOUNTING HOLE DIM.	PB	TD		
C	03/18/02	REVISED / UPDATED	GQ	TD		

P/N	A±1.0
B16 (1 CELL)	83.0
B17 (2 CELLS)	143.5
B18 (3 CELLS)	204.0
B19 (4 CELLS)	264.5
B20 (5 CELLS)	324.5

TOLERANCE UNLESS OTHERWISE SPECIFIED	
X	± 1
X.X	± 0.4
X.XX	± 0.20

DRAWN BY	TD	DATE:	08/20/99
CHECK BY		DATE:	
APPR BY	SS	DATE:	10/20/99

Power Dynamics, Inc.
Phone: 973 560-0019 Whippany, New Jersey Fax: 973 560-0076

PART: D (R20) BATTERY HOLDER,
PANEL MOUNT

B1X

PART #: B1X

SIZE: A

SCALE: NTS

ALL DIMENSIONS FOR REFERENCE ONLY
DIMENSIONS ARE IN MILLIMETERS

SHEET 1 of 1

REV: C

6

5

4

3

2

1