



USB CONNECTOR - TOP ENTRY

CENTURY INTERCONNECT PRODUCTS

Distributed by Electro-Stock, Inc. sales@electrostock.com
630-682-1542 Fax 630-682-1562 http://www.electrostock.com

ORDERING INFORMATION

USB - 04 - TE - 5 - T - X
1 2 3 4 5 6

- 1...Series USB sockets, single port
- 2...Number of Contacts
04...4 contacts, single port socket
- 3...Housing and Contact Type
TE...Top entry, single port socket
- 4...Plating Options
5...5 μ " selective gold plating (standard)
9...30 μ " selective gold plating
- 5...Contact Style
T...Through board
- 6...Insulator Color
B...Black
W...White

SPECIFICATIONS

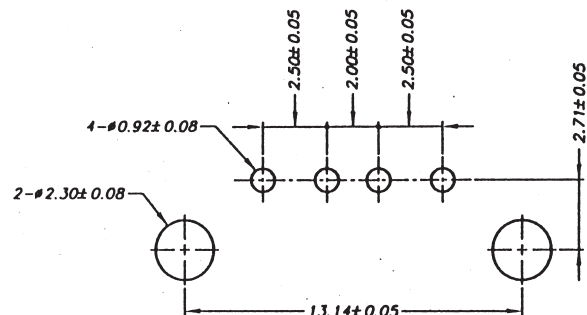
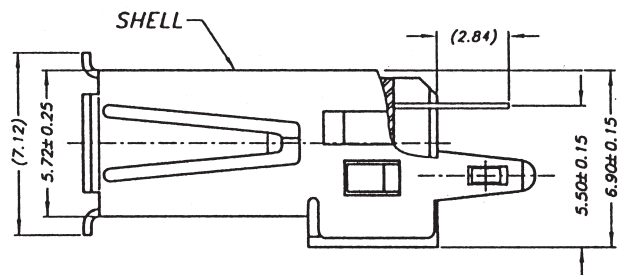
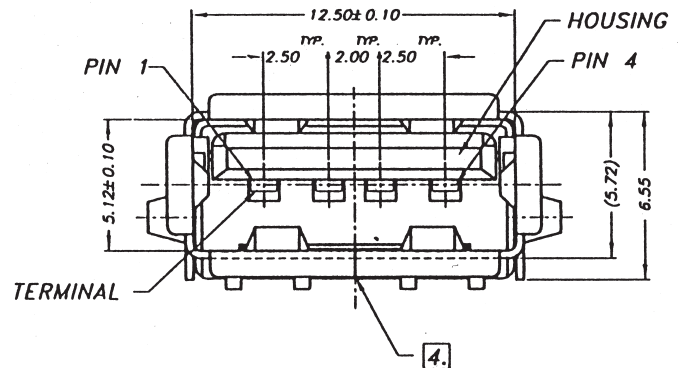
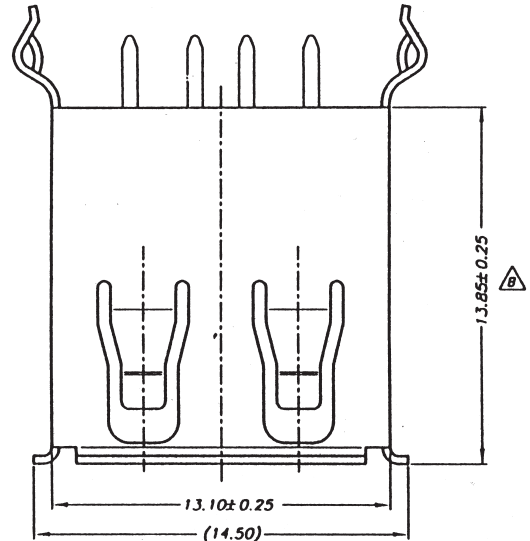
ELECTRICAL:

- Current Rating:** 1 amp max. per contact, not to exceed 30 degrees C temperature rise
- Contact Resistance:** 30 milliohms max.
- Insulation Resistance:** 1000 megohms min.
- Dielectric Withstanding Voltage:** 750V AC at sea level
- Operating Temperature Range:**
-40 degrees C to +60 degrees C (storage)
0 degrees C to +40 degrees C (operating)
- Operating Voltage:** 30V AC (rms)
- Durability:** >1500 cycles
- Mating Force:** 35 newtons max.
- Unmating Force:** 10 newtons min.

MECHANICAL:

- Insulator Material:** Glass filled PCT, UL94V-0
- Contact Material:** Phosphor bronze (t=0.25mm)
- Contact Plating:** 50 μ " minimum nickel underplating
- Shell Material:** Phosphor bronze (t=0.3mm)
- Shell Plating:** 15 μ " minimum Ag over 60 μ " minimum copper with 40 μ " nickel overall (to withstand IR soldering)
- Gap 4:** 0.25mm maximum
- Tolerance:** ± 0.30 mm

Please contact factory for complete specifications.



PCB LAYOUT