



# IEEE 1394 SERIES CONNECTOR

THROUGH BOARD, RIGHT ANGLE

CENTURY INTERCONNECT PRODUCTS

Distributed by Electro-Stock, Inc. sales@electrostock.com  
630-682-1542 Fax 630-682-1562 http://www.electrostock.com

## ORDERING INFORMATION

C1394 - TR - 06 - 30

1 2 3 4

1...Series C1394 IEEE firewire connector

2...Connector Mounting Type

TR...Through board, right angle

3...Number of Contacts

06...6 contacts

4...Contact Plating

30...30μ" Selective gold plating

## SPECIFICATIONS

### ELECTRICAL:

**Voltage Rating:** 30V AC (rms)

**Current Rating:** 1 amp per contact

**Dielectric Withstanding Voltage:** 500V AC  
for one minute

**Insulation Resistance:**

100 megohms min. at 500V DC

**Contact Resistance:** 30 milliohms max.

### MECHANICAL:

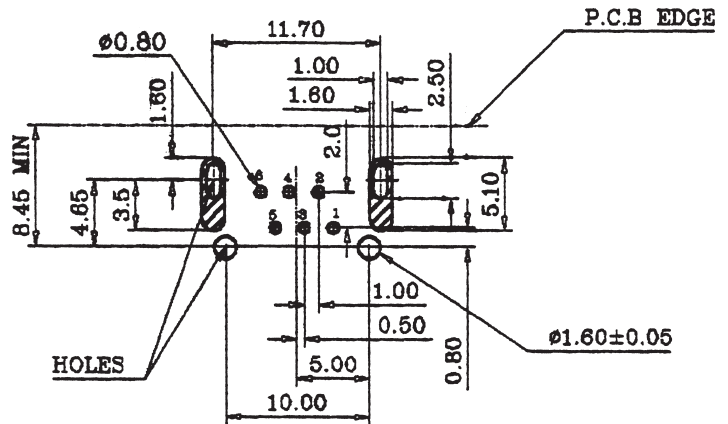
**Shell Material:** Copper alloy or steel

**Shell Plating:** 100μ" min. SN over 40μ" nickel

**Housing Material:** PBT, UL94V-0 rated

**Contact Material:** Copper alloy

**Contact Plating:** 1μ" AU and 100μ" SN over  
30μ" nickel



P.C.B. THICKNESS : t=1.60

P.C.B. LAYOUT

