



IEEE 1394 SERIES CONNECTOR

SURFACE MOUNT, RIGHT ANGLE

CENTURY INTERCONNECT PRODUCTS

Distributed by Electro-Stock, Inc. sales@electrostock.com
630-682-1542 Fax 630-682-1562 http://www.electrostock.com

ORDERING INFORMATION

C1394 - SR - 06 - 30

1 2 3 4

1...Series C1394 IEEE firewire connector

2...Connector Mounting Type

SR...Surface mount, right angle

3...Number of Contacts

06...6 contacts

4...Contact Plating

30...30μ" Selective gold plating

SPECIFICATIONS

ELECTRICAL:

Voltage Rating: 30V AC (rms)

Current Rating: 1 amp per contact

Dielectric Withstanding Voltage: 500V AC
for one minute

Insulation Resistance:

100 megohms min. at 500V DC

Contact Resistance: 30 milliohms max.

MECHANICAL:

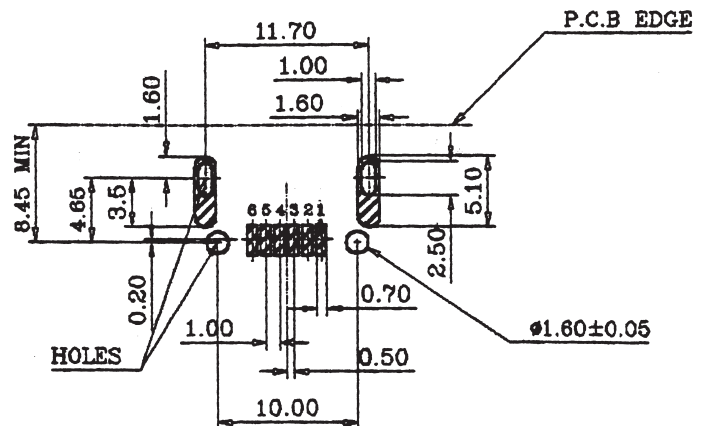
Shell Material: Copper alloy or steel

Shell Plating: 100μ" min. SN over 40μ" nickel

Housing Material: PBT, UL94V-0 rated

Contact Material: Copper alloy

Contact Plating: 1μ" AU and 100μ" SN over
30μ" nickel



P.C.B. THICKNESS : t=1.60

P.C.B. LAYOUT

